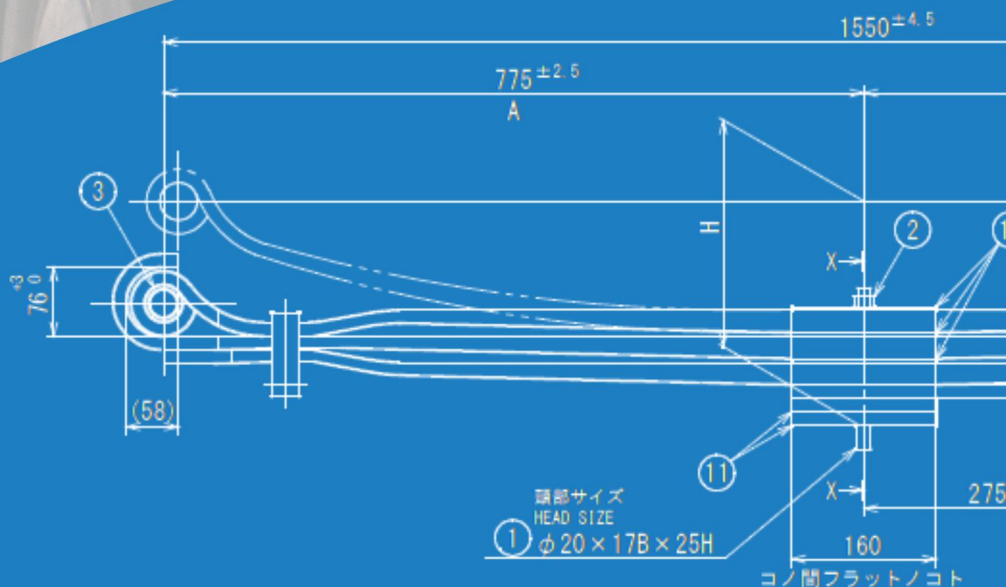


NSK LEAF SPRING CATALOGUE

- INDEX -





ASM Number	F / R	LEAF	TYPE	Basic Model	Page
8-97033-403-2	F	3	Parabolic	NKR (1993.5~2003.5)	1
8-97033-405-3	F	5	Conventional	NKR (1993.5~2003.5)	1
8-97033-408-1	F	5	Conventional	NKR (1993.5~2003.5)	1
8-97033-409-1	F	5	Conventional	NKR (1993.5~2003.5)	1
8-97033-411-1	F	5	Conventional	NKR (1993.5~2003.5)	1
8-97033-412-1	F	5	Conventional	NKR (1993.5~2003.5)	1
8-97033-417-1	F	6	Conventional	NKR (1993.5~2003.5)	2
8-97033-418-1	F	6	Conventional	NKR (1993.5~2003.5)	2
8-97033-420-1	F	6	Conventional	NKR (1993.5~2003.5)	2
8-97033-429-3	F	3	Parabolic	NPR・NQR (1999~2002)	2
8-97033-430-3	F	3	Parabolic	NPR・NQR (1999~2002)	2
8-97071-626-2	F	6	Conventional	NKR (1999~2002.4)	2
8-97133-173-0	F	6	Conventional	NPR (1993.5~2003.5)	3
8-97324-638-0	F	2	Parabolic	NPR・NQR (2003~2007)	3
8-97333-820-0	F	2	Parabolic	NPR・NQR (2004~	3
8-98079-965-0	F	3	Parabolic	NPR (2016.6~	3
8-98090-401-0	F	5	Conventional	NPS (2013.6~	3
8-98079-914-0	F	6	Conventional	NPR (2016.10~	3
8-98075-741-0	F	2	Parabolic	NPR (2015.6~	3
8-98079-920-0	F	6	Conventional	NPR (2016.9~	4



ASM Number	F / R	LEAF	TYPE	Basic Model	Page
8-94343-152-0	R	4+2	Progressive	NKR (1993~1998)	5
8-97033-487-1	R	2+1	Progressive	NKR (1993~1998)	5
8-97033-490-4	R	2+2	Progressive	NKR (1993~1998)	5
8-97033-491-2	R	3+2	Progressive	NKR (1993~1998)	5
8-97033-495-1	R	M4+H1	Two-stage	NKR (1999.4~2002.1)	5
8-97033-498-1	R	3+2	Progressive	NKR (1993.5~2003.5)	5
8-97033-518-1	R	M6+H5	Two-stage	NKR (1993.5~2003.5)	6
8-97033-560-2	R	M4+H1	Two-stage	NPR (1993.5~2003.5)	6
8-97033-562-3	R	M4+H2	Two-stage	NPR (1993.5~2006.1)	6
8-97116-140-0	R	M6+H5	Two-stage	NKR (1993.5~2006.1)	6
8-97073-225-2	R	M7+H9	Two-stage	NPR・NQR (2003.2~2004.1)	7
8-97133-169-0	R	M7+H4	Two-stage	NKR (1993.5~2006.1)	7
8-97141-665-0	R	4+3	Progressive	NKR (1993.5~1998.1)	7
8-97387-900-0	R	M3+H2	Two-stage	NPR (2007.12~	8
8-98239-515-0	R	M6+H7	Two-stage	NPR (2013.5~	8
8-98089-683-1	R	M6+H7	Two-stage	NPS (2015.1~	8
8-98072-424-0	R	M4+H1	Two-stage	NPR (2007.10~ GVW5.5~6.0TON	9
8-98079-901-0	R	M6+H6	Two-stage	NPR (2007.10~ GVW6.5~7.0TON	9



ASM Number	F / R	LEAF	TYPE	Basic Model	Page
MB025430	F	4	Conventional	FB300,308	10
MB294469	F	5	Conventional	FE434,435,437,439,444,445	10
MB294509	F	5	Conventional	FE43※,44※,467	10
MB294519	F	4	Conventional	FE331,334,335,337,355	10
MB294530	F	4	Conventional	FE425,437,439	10
MB294531	F	4	Conventional	FE425,437	10
MB294540	F	4	Conventional	FE311,315,317,335,337	10
MB294981	F	5	Conventional	FG325,335,337,435,437	11
MC110273	F	5	Conventional	FG53E,537,538	11
MC110280	F	5	Conventional	FG63E,638,83D,83E	11
MC110281	F	5	Conventional	FG63E,638,83D,83E	11
MC110283	F	5	Conventional	FG53E,537,538	11
MC110284	F	5	Conventional	FG53E,537,538	11
MC110410	F	4	Conventional	FB51A,510,511,523	12
MK310011	F	4	Conventional	FC563,FE516,536,537,538	12
MK310012	F	4	Conventional	FE51※,53※,56※	12
MK310022	F	4	Conventional	FE51※,53※,56※	12
MK310024	F	4	Conventional	FE512,516,517,518	12
MK310031	F	5	Conventional	FE53C,53E,537,538,632,638	12
MK310032	F	5	Conventional	FE53C,53E,537,538,632,638	12
MK310033	F	5	Conventional	FE632,638,639	13
MK310041	F	5	Conventional	FE53C,53E,537,538,542,548	13
MK310042	F	5	Conventional	FE53※,54※,56※,63※,64※	13
MK310044	F	5	Conventional	FE532,537,538	13
MK318437	F	2	Parabolic	FC53C,FE53C,562,63D,63E	13
MK329365	F	5	Conventional	FE53A,542,548,568	13
MK330241	F	2	Parabolic	FE53C,53E,59E,63C,63D,63E	13
MK382483	F	4	Conventional	FE71B,71C,71D,71E,73B,73C	14
MK382711	F	5	Conventional	FE73B,73C,73D,73E,73P	14
MK383681	F	2	Parabolic	FE73C,73D,73E	14
MK383682	F	2	Parabolic	FE73C,73D,73E	14
MK383715	F	5	Conventional	FE73D,73E	14
MK433319	F	2	Parabolic	FE73C,73D,73E,83C,83D,83E	14
MK433320	F	2	Parabolic	FE73C,73D,73E,83C,83D,83E	14
MK631906	F	2	Parabolic	FE84D,85D	14
MK632889	F	2	Parabolic	FEA50,5W,5Y,FEB50,51,5W,5Y...	15
ML237030	F	2	Parabolic	FEA13,FEA1Z,FEA50,FEA53...	15
ML237036	F	2	Parabolic	FEA80,8W,8Y,FEB71,73,7U,7X...	15



ASM Number	F / R	LEAF	TYPE	Basic Model	Page
MB391080	R	3+2	Progressive	FG325,327,335,337,537,538	16
MB391103	R	M4+H3	Two-stage	FE4※※,5※※,6※※,7※※	16
MB391105	R	M5+H3	Two-stage	FE4※※,5※※,6※※,7※※	16
MB391106	R	M6+H3	Two-stage	FE4※※,5※※,6※※,7※※	16
MB391159	R	3+3	Progressive	FE311,315,317,335,337	17
MB391206	R	M6+H3	Two-stage	FG335,337,435,437,53E,537	17
MB391275	R	3+1	Progressive	FE425,437,536,537,538,63※	17
MB391327	R	M4+H3	Two-stage	FE435,437,439,53C,53E,537	17
MB391328	R	M5+H3	Two-stage	FE4※※,5※※,6※※,7※※	18
MB391381	R	M6+H3	Two-stage	FE4※※,5※※,6※※,7※※	18
MB391416	R	2+1	Progressive	FE516,517	18
MC114602	R	2+1	Progressive	FA510,FB500,501,51A,FB510	18
MC114626	R	2+1	Progressive	FA510,FB500,501,51A,FB510	18
MC114630	R	3+1	Progressive	FE517,518	19
MC114634	R	3+2	Progressive	FE516,517,518,537,538	19
MC114640	R	3+1	Progressive	FE516,517,518,52C,52E,53※	19
MC114650	R	3+1	Progressive	FE51C,51E,512,517,518	19
MC114660	R	2+1	Progressive	FE507,516	19
MC114800	R	M6+H4	Two-stage	FE63※,64※,73D,83D	19
MC114810	R	M6+H5	Two-stage	FE63E,652,658,659,73D,73E	20
MC114960	R	2+2	Progressive	FG50E,507,508	20
MC114970	R	2+2	Progressive	FG50E,507,508	20
MC120890	R	2+2	Progressive	FE50C,50E,507,508,51C,533	20
MK312234	R	3+2	Progressive	FE51E,53E,532,538	20
MK315102	R	3+1	Progressive	FE563,53C,53E,562,566,567	20
MK332333	R	2+2	Progressive	FE62E,82C,82D,82E	21
MK332358	R	2+2	Progressive	FG62E,82D,82E,84G	21
MK382837	R	M6+H5	Two-stage	FE53E,73D,73E	21
MK383852	R	3+1	Progressive	FE70C,71B,71C,71D,71E,73B	21
MK383854	R	3+2	Progressive	FE71D,71E	21
MK383855	R	3+1	Progressive	FE70E,71B,71C,71D,71E	22
MK383863	R	2+2	Progressive	FG70D,70E	22
MK383868	R	2+2	Progressive	FE70B,70C,70D,70E	22
MK433573	R	3+1	Progressive	FE72B,72C,72D,72E	22
MK433575	R	2+2	Progressive	FE70B,70C,70D,70E	22
MK459439	R	1+1	Progressive	FBA20	22
MK459802	R	M6+H3	Two-stage	FEB70,8D,8W,8Y,90,91,9W,9Y	22
MK470460	R	2+1	Progressive	FG70	23
MK471158	R	2+1	Progressive	FG70DB	23



ASM Number	F / R	LEAF	TYPE	Basic Model	Page
MK471580	R	2+2	Progressive	FE82B,84B	23
MK613929	R	2+1	Progressive	FBA30,3W,3Y,FBA50,5W,5Y...	23
MK613930	R	4+1	Progressive	FEA51,53,5W,5X,5Y,5Z...	23
ML214369	R	2+1	Progressive	FBA30,3W,3Y,FBA50,5W,5Y...	23
ML214370	R	3+2	Progressive	FBA60,6W,6Y,FDA60,6W,6Y...	23
ML214372	R	2+1	Progressive	FEA13,FEA41Z,FEA60,FEA53,5W,5X,FEB50	23
MK459271	R	M5+H5	Two-stage	FE83D	24



ASM Number	F / R	LEAF	TYPE	Basic Model	Page
48110-37112	F	2	Parabolic	BU100,RZU100	25
48110-37122	F	2	Parabolic	BU100,RZU100	25
48110-37142	F	2	Parabolic	BU100,RZU100	25
48110-37320	F	3	Parabolic	XZU362	25
48110-37330	F	3	Parabolic	XZU362	25
48110-37491	F	3	Parabolic	BU301,XZU301,XZU302,XZU342	25
48110-37501	F	3	Parabolic	BU301,XZU301,XZU302,XZU342	25
48110-37571	F	2	Parabolic	XZU404,410,414,421,424,434	25
48110-37632	F	3	Parabolic	XZU404,414,424	25
48110-37752	F	3	Parabolic	XZU402,412	25
48110-37A00	F	2	Parabolic	BU301,XZU301,XZU341	26
48110-37A10	F	2	Parabolic	BU301,XZU301,XZU341	26
48110-37A20	F	3	Parabolic	XKU304	26
48110-37A30	F	3	Parabolic	XKU304	26
48110-37A41	F	2	Parabolic	XZU401,411,413,414,424,454 · BUZ410	26
48110-37A51	F	2	Parabolic	XZU401,411,413,414,424,454 · BUZ410	26
48110-37D50	F	2	Parabolic	XZU344,XZU504	26
48110-37D60	F	2	Parabolic	XZU344,XZU504	26
48110-37D90	F	3	Parabolic	XZU344,XZU504	26
48110-37E00	F	3	Parabolic	XZU344,XZU504	26
48120-37L22	F		Parabolic	XKU710,720	26
48110-3B653	F	2	Parabolic	BU162	27
48110-3B663	F	2	Parabolic	BU162	27
48110-3B700	F	3	Parabolic	BU100	27
48110-3B730	F	3	Parabolic	BU100	27
48110-3B743	F	2	Parabolic	BU162	27
48110-3B753	F	2	Parabolic	BU162	27
48110-3V062	F	3	Parabolic	BU301,XZU301,XZU341	27
48110-3V072	F	3	Parabolic	BU301,XZU301,XZU341	27
48110-3V330	F	3	Parabolic	RZU300	27
48110-3V340	F	3	Parabolic	RZU300	27



ASM Number	F / R	LEAF	TYPE	Basic Model	Page
48210-37132	R	2+1	Progressive	BU100,RZU100	28
48210-37380	R	2+2	Two-stage	XZU341,342	28
48210-37390	R	2+2	Two-stage	XZU341,342	28
48210-37430	R	2+2	Two-stage	XZU341	28
48210-37440	R	2+1	Progressive	XZU362	28
48210-37580	R	2+1	Progressive	XZU362	28
48210-37610	R	2+1	Progressive	RZU300,XZU302	28
48210-37630	R	2+1	Progressive	XZU302	28
48210-37640	R	5+1	Progressive	BU301,XKU304,XZU301,XZU504	29
48210-37690	R	2+1	Progressive	XZU302	29
48210-37890	R	2+1	Progressive	BU301,RZU300,XZU301	29
48210-37A10	R	2+1	Progressive	XZU368	29
48210-37A21	R	2+1	Progressive		29
48210-37A30	R	M2+H2	Two-stage	XZU378,388,488、685,695,775	29
48210-37A40	R	M3+H2	Two-stage		29
48210-37A60	R	2+1	Progressive	XZU368	29
48210-37A71	R	2+1	Progressive		30
48210-37A80	R	M2+H2	Two-stage	XZU378,388,488、685,695,775	30
48210-37C20	R	2+1	Progressive	XKU308	30
48210-37U40	R	2+1	Progressive		30
48210-3B600	R	4+2	Progressive	BU100	30
48210-3B703	R	3+2	Progressive	BU100,RZU100	30
48210-3V010	R	2+1	Progressive	BU301,RZU300,XZU301,XZU504	30
48210-3V270	R	2	Parabolic	BU280 · RZU280	30
48210-3V470	R	M2+H2	Two-stage	XZU404,XZU414,XZU424	31
48210-3V531	R	M2+H2	Two-stage	XZU411,412,421,424 · BUZ410,420	31
48220-36100	R	4+2	Progressive	BU100	31



ASM Number	F / R	LEAF	TYPE	Basic Model	Page
1-51110-530-5	F	7	Conventional	FTR12	32
1-51110-539-0	F	7	Conventional	EXR	32
1-51110-692-1	F	5	Conventional	FRR	32
1-51110-723-0	F	8	Conventional	FTS (1992.7~)	32
1-51110-822-1	F	8	Conventional	LT111,112,132,133 (1991.1~1998.4)	33
1-51110-824-0	F	9	Conventional	LT111,112,132,133 (1991.1~1998.4)	33
1-51110-825-1	F	8	Conventional	LT111,112,132,133 (1991.1~1998.4)	33
1-51110-979-0	F	6	Conventional	FTR	33
1-51110-981-0	F	9	Conventional	CXH (1990.2~1991.7)	34
1-51110-989-1	F	4	Conventional	FRR	34
1-51110-990-1	F	4	Conventional	FRR	34
1-51130-075-1	F	7	Conventional	CXZ (1994.9~1996.10)	34
1-51130-085-1	F	5	Conventional	FRR (1996.10~	34
1-51130-086-1	F	5	Conventional	FRR (1996.10~	35
1-51130-087-0	F	6	Conventional	FRR (1996.10~	35
1-51130-145-0	F	6	Conventional	FRR (1997.9~1999.1)	35
1-51130-167-0	F	6	Conventional	CXM (1994.10~	35
1-51130-235-1	F	4	Conventional	FRR (1996.10~ · FRD (1996.10~	35
1-51130-242-0	F	5	Conventional	FRR (1996.10~	35
1-51130-266-0	F	8	Conventional	FRR (2000.5~2002.7)	36
1-51130-273-0	F	4	Parabolic	EXY (1999.5~2001.4)	36
1-51130-286-1	F	5	Conventional	FRR (1996.10~	36
1-51130-292-1	F	4	Conventional	FRD (1996.10~	36
1-51130-341-0	F	7	Conventional	FSR (1999.5~	36
1-51130-343-0	F	8	Conventional	FTR (2000.5~ · FVR (1996.1~	37
1-51130-358-0	F	7	Conventional	CXM (1994.10~1996.10)	37
1-51130-360-1	F	7	Conventional	CYZ (1995.5~1996.10)	37
1-51130-363-0	F	7	Conventional	CXM (1994.10~	37
1-51130-364-1	F	7	Conventional	CYZ (1994..9~1996.10)	38
1-51130-434-0	F	9	Conventional	EXR (1999.5~	38
1-51130-443-0	F	9	Conventional	FTS (2000.5~2002.10)	38
1-51130-485-1	F	3	Parabolic	CYM (1996.11~	38
1-51130-662-0	F	7	Conventional	CXM · CXZ (2001.12~ DUMP	39
1-51130-664-0	F	7	Conventional	CXM (1999.11~2001.11)	39
1-51130-674-0	F	3	Parabolic	CYM · CYL (1999.11~	39
1-51130-734-0	F	4	Parabolic	EXR (2001.5~	39
1-51130-798-0	F	9	Conventional	CXZ (2001.5~	39
1-51130-849-0	F	3	Parabolic	CXZ · CYY · CYZ (2004.02~	39
1-51130-861-1	F	2	Parabolic	FRR (2002.12~ · FRD (2002.12~	40



ASM Number	F / R	LEAF	TYPE	Basic Model	Page
1-51130-888-0	F	3	Parabolic	CXM (2003.5~ · CVR (2003.6~	40
1-51130-890-0	F	4	Parabolic	CXH (2003.9~	40
1-51130-892-0	F	4	Parabolic	CXZ (2003.8~	40
1-51130-893-0	F	4	Parabolic	CXZ (2003.8~	40
1-51130-917-0	F	4	Parabolic	EXZ (2006.11~	40
1-51130-929-0	F	4	Parabolic	CXH (2009.3~ · CYH (2007.10~	40
1-51130-936-0	F	4	Parabolic	CXH (2003.10~ · CYH (2006.10~	40
1-51130-940-0	F	7	Conventional	CYH (2007.5~2009.12)	41
1-51130-955-0	F	5	Conventional	FRR · FRD (2004.4~	41
8-97614-071-0	F	8	Conventional	CYZ (2006.10~2009.12)	41
8-98063-479-1	F	2	Parabolic	FRR (2011.5~	41
8-98063-483-0	F	3	Parabolic	FSR (2013.2~	41
8-98063-484-0	F	3	Parabolic	FSR (2013.2~	41
8-98069-483-0	F	3	Parabolic	FVR (2007.12~2013.2) · GVR (2007.12~	41
8-98080-779-0	F	3	Parabolic	FRR (2008.3~2008.6)	42
8-98111-360-0	F	3	Parabolic	FRR (2008.7~	42
8-98159-653-0	F	7	Conventional	CYH (2010.1~	42
8-98017-554-0	F	6	Conventional	FRR (2008.8~	42
8-98229-528-1	F	3	Parabolic	FSR (2014.8~	42

ASM Number	F / R	LEAF	TYPE	Basic Model	Page
1-51300-152-3	R	M8+H7	Two-stage	SCR・FSR	43
1-51300-165-4	R	M5+H6	Two-stage	CVR (1990.4~	43
1-51300-236-0	R	M8+H6	Two-stage	CVR (1990.4~	44
1-51300-261-0	R	M6+H7	Two-stage	CVR (1990.2~1993.6)	44
1-51300-267-0	R	M6+H6	Two-stage	CVR (1990.2~	45
1-51300-329-1	R	M8+H7	Two-stage	FRR(34) (2001.7~2002.4)	45
1-51300-332-0	R	M8+H7	Two-stage	FSR (1992.2~	46
1-51300-333-0	R	M6+H6	Two-stage	FSR (1992.2~・FTR (1992.2~	46
1-51300-334-3	R	M6+H6	Two-stage	FTR (1992.2~	47
1-51300-352-0	R	M7+H6	Two-stage	FVR (2000.11~	47
1-51300-358-2	R	M7+H9	Two-stage	FTS (2000.10~	48
1-51300-362-1	R	M8+H7	Two-stage	FSR (1992.2~・FRR (1995.10~	48
1-51300-364-0	R	M8+H7	Two-stage	FSR (1992.2~・FRR (1995.10~	49
1-51300-366-0	R	M7+H7	Two-stage	FSS (1992.7~	49
1-51300-483-2	R	M6+H5	Two-stage	FRR (1994.1~	50
1-51300-508-1	R	M8+H7	Two-stage	FSR32,33 (1995.10~	50
1-51300-522-0	R	M7+H7	Two-stage	FVR (2006.9~	51
1-51300-524-1	R	M7+H6	Two-stage	FSR (1995.10~	51
1-51300-535-2	R	M7+H6	Two-stage	FRR (1996.10~	52
1-51300-541-1	R	M4+H5	Two-stage	FRR (1996.10~	52
1-51300-593-0	R	M5+H5	Two-stage	EXR (1999.5~	52
1-51300-617-0	R	M5+H5	Two-stage	EXR (2001.7~	53
1-51300-631-0	R	M6+H2	Two-stage	FRR (2002.12~	53
1-51300-632-0	R	M4+H2	Two-stage	FRR (2002.12~	53
1-51310-018-2	R	9	Conventional	SPZ650	53
1-51310-443-4	R	8	Conventional	CXH (1987.12~・CXZ (1989.8~1994)	54
1-51310-449-2	R	7	Conventional	CVR (1986.4~	54
1-51310-453-1	R	9	Conventional	CXH (1987.12~・CXZ (1989.8~1994)	54
1-51310-467-4	R	10	Conventional	CXM (1986.1~	54
1-51310-493-1	R	11	Conventional	CXM (1986.1~	55
1-51310-512-0	R	7	Conventional	LT312 (1984~	55
1-51310-613-1	R	9	Conventional	CXM (1986.1~	55
1-51310-669-0	R	9	Conventional	MR (1999.12~	56
1-51310-876-1	R	9	Conventional	CXM (1994.10~	56
1-51310-880-0	R	8	Conventional	CXZ・CYZ (1994.9~	56
1-51410-055-1	R	9	Conventional	CXZ・CYZ (1994.9~	57
1-51410-056-0	R	9	Conventional	CYM (1994.10~	57
1-51410-080-0	R	9	Conventional	CYZ (1995.5~	57
1-51410-084-1	R	10	Conventional	CXZ・CYZ (1994.9~	58



ASM Number	F / R	LEAF	TYPE	Basic Model	Page
1-51410-143-0	R	10	Conventional	CXZ · CYZ (1997.2~	58
1-51410-285-2	R	6	Parabolic	CXZ (2004.7~ · CYZ (2005.12~	58
1-51410-294-0	R	9	Conventional	CXZ (2004.11~ · CYZ (2006.10~	59
1-51410-296-0	R	10	Conventional	EXZ (2008.11~	59
1-51410-301-0	R	5	Parabolic	CXM · CYM (2003.7~ · CYZ2003.11~	59
8-97614-044-0	R	5	Parabolic	CYM (2007.5~	59
8-98101-099-0	R	5	Parabolic	CYZ (2008.3~	60
8-98101-101-0	R	5	Parabolic	CYZ (2015.12~	60
8-98102-211-1	R	5	Parabolic	CYH (2010.9~	60
8-98205-939-0	R	5	Parabolic	LT134 (2012.11~	60
1-51300-634-1	R	M6+H2	Two-stage	FRR (2002.12~	60
1-51340-016-2	H	7	Conventional	SCR · FSR	61
1-51340-337-2	H	7	Conventional	CVR (1990.4~	61
1-51340-362-0	H	6	Conventional	CVR (1990.4~	61
1-51340-384-0	H	7	Conventional	CVR (1990.2~1993.6)	61
5-51340-196-0	H	6	Conventional	CVR (1990.2~1993.6)	61
1-51340-413-0	H	7	Conventional	FRR(34) (2001.7~2002.4)	62
1-51340-432-0	H	7	Conventional	FSR (1992.2~	62
1-51340-444-0	H	6	Conventional	FSR (1992.2~ · FTR (1992.2~	62
1-51340-445-1	H	6	Conventional	FTR (1992.2~	62
1-51340-450-0	H	6	Conventional	FVR (2000.11~	62
1-51340-487-0	H	9	Conventional	FTS (2000.10~	63
1-51340-457-0	H	7	Conventional	FSR (1992.2~ · FRR (1995.10~	63
1-51340-459-0	H	7	Conventional	FSR (1992.2~ · FRR (1995.10~	63
1-51340-461-0	H	7	Conventional	FSS (1992.7~	63
1-51340-578-0	H	5	Conventional	FRR (1994.1~	63
1-51340-602-0	H	7	Conventional	FSR32,33 (1995.10~	64
1-51340-612-0	H	7	Conventional	FVR (2006.9~	64
1-51340-431-0	H	6	Conventional	FRR (1996.10~	64
1-51340-625-0	H	6	Conventional	FRR (1996.10~	64
1-51340-631-0	H	5	Conventional	FRR (1996.10~	64
1-51340-672-0	H	5	Conventional	EXR (2001.7~	65
1-51340-680-0	H	2	Parabolic	FRR (2002.12~	65
1-51340-681-0	H	2	Parabolic	FRR (2002.12~	65
1-51340-678-0	H	2	Parabolic	FRR (2002.12~	65
8-98017-561-0	R	M8+H9	Two-stage	FSR (2010.12~ HEAVY DUTY	65



ASM Number	F / R	LEAF	TYPE	Basic Model	Page
52229-01421	F	2	Parabolic	UD VOLVO	66
52229-01422	F	2	Parabolic	UD VOLVO	66
52229-01424	F	2	Parabolic	UD VOLVO	66
52241-97067	F	2	Parabolic	UD VOLVO	66
52241-97070	F	2	Parabolic	UD VOLVO	66
52241-97073	F	2	Parabolic	UD VOLVO	66
54010-00Z00	F	6	Conventional	CWB452	66
54010-00Z06	F	3	Parabolic	CK551B-TRACTOR	66
54010-00Z07	F	7	Conventional	CK450ENT-TRACTOR	66
54010-00Z0A	F	6	Conventional	CD4XM,CD4YL,CD5XM,CD5YL,CK5XL	67
54010-00Z0B	F	7	Conventional	CD4XM,CD4YL,CD5XM,CD5YL,CK5XL	67
54010-00Z0C	F	7	Conventional	CW2XL,CW4XL,CW4YL,CW5XLCW5YL	67
54010-00Z0E	F	7	Conventional	CW2XL,CW4XL,CW4YL,CW5XLCW5YL	67
54010-00Z18	F	7	Conventional	CG-1ST AXLE	68
54010-00Z1E	F	3	Parabolic	CV2YB,CV4YB,CV5YB	68
54010-00Z2C	F	3	Parabolic	CV2YB,CV4YB,CV5YB	68
54010-00Z6B	F	8	Conventional		68
54010-00Z6E	F	4	Parabolic		68
54010-00Z75	F	5	Conventional	CV32A,45A	68
54010-00Z76	F	7	Conventional	CW,CK,CD-DUMP	69
54010-00Z77	F	5	Conventional	CW540,610,620GNT-TRACTOR	69
54010-00Z79	F	3	Parabolic	CW540,610,620GNT-TRACTOR	69
54010-00Z8C	F	4	Parabolic	CKB6B,GK4XL,GK4XA,GK5XA,GK6XA	69
54010-00Z8E	F	4	Parabolic	CD2ZA,CD4ZA,CD5YA,CD5XL,CD5ZA,CD5ZL...	69
54010-00Z9C	F	5	Parabolic	AWD204-OFF ROAD	69
54010-01Z00	F	7	Conventional	CW-Z LOW FLOOR	70
54010-01Z01	F	10	Conventional	CWB45	70
54010-01Z02	F	7	Conventional	CW450-Z	70
54010-01Z04	F	8	Conventional	CK-TRACTOR	70
54010-01Z05	F	9	Conventional	CWB45	71
54010-01Z10	F	9	Conventional	CGB520 1ST	71
54010-01Z11	F	9	Conventional	CGB520 2ND	71
54010-01Z3B	F	7	Conventional	CW5XL,CW5YL	71
54010-01Z4D	F	4	Parabolic	CX5YA,CX5YL,CX6XM,CV5XA	72
54010-01Z69	F	7	Conventional	CD45C,CD53C,CD55C,CW45C,CW53C...	72
54010-01Z79	F	4	Parabolic	CW45,53,55,63C-HEAVY DUTY	72
54010-02Z03	F	4	Parabolic	CG45,53,55-1ST AXLE	72
54010-02Z04	F	4	Parabolic	CG45,53,55-2ND AXLE	72
54010-02Z19	F	3	Parabolic	CD52A,CD53A,CD45B,CD52B,CD53B,CD55B	72



ASM Number	F / R	LEAF	TYPE	Basic Model	Page
54010-02Z60	F	4	Parabolic	CD45B,CD52B,CD53B,CD55B,CK52A	72
54010-02Z64	F	4	Parabolic	CD45C,CD53C,CD55C,CW45C,CW53C,CW63C	73
54010-03Z10	F	4	Parabolic	CK542,552,632-TRACTOR	73
54010-03Z65	F	3	Parabolic	CD45CW,53CW-REAR AIR SPRING	73
54010-03Z76	F	3	Parabolic	CD48YN,48YR,53YN,53YR	73
54010-03Z79	F	4	Parabolic	AWD200-OFF ROAD	73
54010-04Z00	F	6	Conventional	CWB45	73
54010-04Z05	F	3	Parabolic	CD32,45,52,55A-CARGO	73
54010-04Z07	F	4	Parabolic	CD32,45,52,55A-CARGO	74
54010-04Z10	F	3	Parabolic	CW45,53,55A-CARGO	74
54010-04Z13	F	3	Parabolic	CG48,CG55,CG4Z,CG2Y,CG5Y,CG5Z...	74
54010-04Z60	F	3	Parabolic	CK · GK-TRACTOR	74
54010-04Z62	F	3	Parabolic	CW542,632-TRACTOR	74
54010-04Z65	F	3	Parabolic	CV27AM,CV48AM	74
54010-04Z71	F	4	Parabolic	CV27,32,48A-CARGO	74
54010-04Z76	F	3	Parabolic	CK-TRACTOR	74
54010-04Z79	F	4	Parabolic	CW-TRACTOR	75
54010-05Z00	F	4	Parabolic	CW542,632-TRACTOR HEAVY DUTY	75
54010-05Z05	F	4	Parabolic	CV27F,48F	75
54010-05Z09	F	7	Conventional	CWB45	75
54010-05Z75	F	4	Parabolic	CV2XA,CV2XL,CV4XL,CV4XA,CV27A,CV48A...	75
54010-06Z13	F	3	Parabolic	CV27AM,CV48AM	75
54010-06Z17	F	3	Parabolic	CV2XA,CV2XL,CV4XL,CV4XA,CV27A,CV48A...	75
54010-06Z19	F	3	Parabolic	CV2XA,CV2XL,CV4XL,CV4XA,CV27A,CV48A...	76
54010-06Z63	F	4	Parabolic	CV2XA,CV2XL,CV4XL,CV4XA,CV27A,CV48A...	76
54010-06Z68	F	3	Parabolic	CD4X,CD5X,CD5Y,CD2Z,CK2X,CK5X,CW5X	76
54010-06Z74	F	3	Parabolic	GW4XLG	76
54010-06Z78	F	4	Parabolic	GW4XLG	76
54010-07Z31	F	6	Parabolic	OFF ROAD DUMP	76
54010-07Z35	F	5	Parabolic	OFF ROAD DUMP	76
54010-07Z37	F	5	Parabolic	OFF ROAD DUMP	77
54010-30Z01	F	5	Conventional	MK	77
54010-30Z06	F	6	Conventional	MK	77
54010-30Z09	F	6	Conventional	LK210,250	77
54010-30Z12	F	6	Conventional	PK	77
54010-30Z15	F	8	Conventional	PK	78
54010-30Z17	F	8	Conventional	PK	78
54010-30Z19	F	5	Conventional	MK	78
54010-30Z1B	F	2	Parabolic	MK36C,MK36D,MK37C,MK38C,MK38L...	78



ASM Number	F / R	LEAF	TYPE	Basic Model	Page
54010-30Z5B	F	2	Parabolic	MK	78
54010-30Z60	F	4	Conventional	MK	78
54010-30Z69	F	7	Conventional	MK	79
54010-30Z73	F	7	Conventional	LK-TRACTOR	79
54010-30Z74	F	8	Conventional	PK	79
54010-30Z77	F	9	Conventional	PK	79
54010-30Z79	F	9	Conventional	PK	80
54010-31Z06	F	7	Conventional	PK211,PK251	80
54010-31Z12	F	9	Conventional	PK-J	80
54010-31Z13	F	9	Conventional	PK	80
54010-32Z14	F	9	Conventional	PK	81
54010-32Z68	F	3	Parabolic	PK	81
54010-32Z75	F	3	Parabolic	PW	81
54010-32Z78	F	2	Parabolic	MK26A,MK26B	81
54010-33Z04	F	6	Conventional	PK	81
54010-33Z05	F	3	Parabolic	PK	81
54010-33Z66	F	3	Parabolic	PK	81
54010-90024	F	8	Conventional	RB30-BUS	82
54010-90062	F	6	Conventional	U20,U30-BUS	82
54010-90069	F	9	Conventional	KG50TX-CRANE	82
54010-90169	F	8	Conventional	RB31,RB45-BUS	82
54010-90218	F	12	Conventional	WD300-OFF ROAD DUMP	83
54010-90300	F	3	Parabolic	RP210,UA440-BUS	83
54010-90370	F	6	Conventional		83
54010-Z0063	F	7	Conventional	CK-TRACTOR	83
54010-Z0074	F	7	Conventional	CK-TRACTOR	84
54010-Z1064	F	6	Conventional	CV46L,CV54,CV66	84
54010-Z1065	F	6	Conventional	CV-FF	84
54010-Z1068	F	7	Conventional	CV46S,CV46N,CV54N,CV66N	84
54010-Z2018	F	7	Conventional	CD,CW,CK-DUMP	84
54010-Z2066	F	9	Conventional	TWD52	85
54010-Z2073	F	7	Conventional	DUMP-HEA VY DUTY	85
54010-Z2077	F	8	Conventional	DUMP-EXTRA HEAVY DUTY	85
54010-Z2179	F	6	Conventional	CD	85
54010-Z2214	F	6	Conventional	LG-15tAXLE	86
54010-Z2264	F	7	Conventional	LG-HEAVY DUTY	86
54010-Z5019	F	5	Conventional	CM80,CM85,CM90	86
54010-Z5063	F	4	Conventional	CM86	86
54010-Z5069	F	7	Conventional	CMA	86



ASM Number	F / R	LEAF	TYPE	Basic Model	Page
54010-Z5072	F	5	Conventional	CL85,CM87,MK211,MK120,MK122	87
54010-Z5073	F	6	Conventional	CM87,MK211,MK120	87
54010-Z5075	F	6	Conventional	CM87,MK211,MK120	87
54010-Z5077	F	6	Conventional	CL85,CL80	87
54010-Z5078	F	6	Conventional	CL85,CL80	87
54010-Z5103	F	6	Conventional	CL80	88
54010-Z5112	F	6	Conventional	CLA83	88
54010-Z5161	F	4	Conventional	CM87,CM88	88
54010-Z5162	F	5	Conventional	CM87,CM88	88
54010-Z5163	F	6	Conventional	CM87,CM88	88
54010-Z5166	F	5	Conventional	CL80	88
54010-Z5203	F	6	Conventional	CPB	89
54010-Z5266	F	7	Conventional	CLC	89
54010-Z6070	F	3	Parabolic	RM211,RM252-BUS	89
54010-Z6072	F	3	Parabolic	RM252,RN210,RN252-BUS	89
54010-Z6074	F	3	Parabolic	UA460,UA450-BUS	89
54010-Z7002	F	6	Conventional	KG510S-CRANE	89
54010-06Z67	F	3	Parabolic	CD4Z,CD2Z,CW4X	89
54010-06Z70	F	4	Parabolic	CD4Y,CD4Z,CD2Z,CW4X,CW4Y,CW4Z	90
54010-32Z69	F	3	Parabolic	MK120	90
54010-32Z79	F	3	Parabolic	MK25A	90
54010-33Z09	F	2	Parabolic	MK35A,35C,36A,36B,36C	90
54010-33Z64	F	2	Parabolic	MK36A,MK36B,MK36C,MK37A,MK37B...	90



ASM Number	F / R	LEAF	TYPE	Basic Model	Page
55020-00Z00	R	7	Conventional	CW450,510,520	91
55020-00Z01	R	8	Conventional	CW-STD	91
55020-00Z04	R	M6+H5	Two-stage	CK-TRACTOR	91
55020-00Z05	R	9	Conventional	CW-HEAVY DUTY	92
55020-00Z06	R	8	Conventional	CD450,510-STD	92
55020-00Z07	R	9	Conventional	CD450,510-HEAVY DUTY	92
55020-00Z11	R	6	Conventional	CD-REYCO SUS	92
55020-00Z12	R	M5+H5	Two-stage	CK450,CV320,CV450	93
55020-00Z14	R	M7+H5	Two-stage	CK450	93
55020-00Z15	R	M7+H4	Two-stage	CK450,CV320,CV450,CV520,620	93
55020-00Z18	R	7	Conventional	CW-Z,CG320,CG450,520	94
55020-00Z19	R	8	Conventional	CW-Z,CG320,CG450,520-HEAVY DUTY	94
55020-00Z4E	R	6	Parabolic	AWD24,AWD214LM	94
55020-00Z61	R	8	Conventional	CW-TRACTOR	94
55020-00Z64	R	M7+H4	Two-stage	CV320,CV450,CV520	95
55020-00Z66	R	M6+H3	Two-stage	CV320,CV450,CV520	95
55020-00Z67	R	M7+H6	Two-stage	CK450,CV320,CV450,CV520,620	95
55020-00Z70	R	9	Conventional	CW-TRACTOR	96
55020-00Z76	R	9	Conventional	CWB45A	96
55020-00Z78	R	M9+H9	Two-stage	CKB	97
55020-00Z7C	R	4	Parabolic	CW48E,55E,CW53Y,55Y,CW4YL,5YL,CW4ZL	97
55020-00Z7D	R	5	Parabolic	CW48E,55E,CW53Y,55Y,CW4YL,5YL,CW4ZL	97
55020-01Z04	R	M8+H5	Two-stage	CK-TRACTOR	98
55020-01Z05	R	8	Conventional	CD32A,45A,53A	98
55020-01Z07	R	9	Conventional	CD32A,45A,53A,55A	98
55020-01Z09	R	12	Conventional	CWC	99
55020-01Z13	R	M5+H6	Two-stage	CV32B,CV45B	99
55020-01Z16	R	M7+H6	Two-stage	CK450,CK5XL,CV32B,CV45B,CV63B	100
55020-01Z17	R	M7+H5	Two-stage	CV2Y,4Y,5Y,CV32B,CV45B	100
55020-01Z62	R	8	Conventional	CD45C,CD53C,CD55C	100
55020-01Z63	R	9	Conventional	CD45C,CD53C,CD55C-HEAVY DUTY	101
55020-01Z64	R	8	Conventional	CW-B,CW48E,53E,55E,53Y,55Y,CW4Y,5Y	101
55020-01Z65	R	9	Conventional	CW-B,CW48E,53E,55E,53Y,55Y,CW4Y,5Y	101
55020-01Z66	R	9	Conventional	CW45C,53C,55C,63C-STD	102
55020-01Z67	R	9	Conventional	CW45C,53C,55C,63C-HEAVY DUTY	102
55020-01Z68	R	8	Conventional	CW52A,53A,55A-STD	102
55020-01Z69	R	10	Conventional	CW541G,CW631G	103
55020-01Z79	R	8	Conventional	CD45B,53B,55B	103
55020-02Z01	R	8	Conventional	CG45C,CG53C,CG55C-HEAVY DUTY	103



ASM Number	F / R	LEAF	TYPE	Basic Model	Page
55020-02Z05	R	7	Conventional	CG45C,CG53C,CG55C-STD	103
55020-02Z13	R	M8+H6	Two-stage	CF52A	104
55020-02Z63	R	8	Conventional	CG45B,CG53C	104
55020-02Z70	R	9	Conventional	CW45C,53C,55C,63C-HEAVY DUTY	104
55020-02Z78	R	9	Conventional	CW52A,53A,55A-HEAVY DUTY	105
55020-03Z04	R	M6+H3	Two-stage	CV45B,GK5X,CV5Y,CV2Y,CK5X	105
55020-03Z12	R	8	Conventional	CG45C,CG53C	105
55020-03Z14	R	8	Conventional	CW-B,GW4XL,CW4YL,CW5YL	105
55020-03Z61	R	M7+H3	Two-stage	CV27E,48E,27Y,48Y,CV2Y,2X,4X,5X	106
55020-03Z73	R	8	Conventional	CD45B,CD53B,CD55B-STD	106
55020-03Z74	R	9	Conventional	CD45B,CD53B,CD55B-HEAVY DUTY	106
55020-04Z13	R	4	Parabolic	CD48Y,48E,55E,CD4YL,4XL,5YL,5XL-STD	106
55020-04Z15	R	4	Parabolic	CD48Z,55Z	107
55020-04Z16	R	4	Parabolic	CW55J	107
55020-04Z66	R	5	Parabolic	CW48X,CW55X	107
55020-04Z68	R	5	Parabolic	CW53X	107
55020-04Z69	R	5	Parabolic	CD48Y,48E,55E,CD4YL,4XL,5YL,5XL-HD	107
55020-05Z12	R	5	Parabolic	CW48E,55E,55Y,4YL,5YL,4ZL,5ZL-STD	107
55020-05Z13	R	5	Parabolic	CW48E,55E,55Y,4YL,5YL,4ZL,5ZL-HD	108
55020-05Z68	R	5	Parabolic	CX48E,55E,CG48E,55E48J,55J,CG4Y,4Z,5Y,5Z	108
55020-06Z05	R	9	Conventional	CW541,542,631,632,GW4XL-16t,18t	108
55020-06Z06	R	10	Conventional	CW541,542,631,632,GW4XL-20t	108
55020-06Z07	R	11	Conventional	CW541,542,631,632,GW4XL-23.5t	109
55020-06Z09	R	11	Conventional	CW631,632,GW4XL-HEAVY DUTY	109
55020-06Z10	R	8	Conventional	CW45A,48A,52A,53A,55A,2XL,4XL,5XL-STD	109
55020-06Z11	R	9	Conventional	CW45A,48A,52A,53A,55A,2XL,4XL,5XL-HD	110
55020-06Z75	R	5	Parabolic	CW4YLN,CW5YLN-HEAVY DUTY	110
55020-07Z34	R	14	Conventional	AWT230,300,AWD300,350Y	110
55020-07Z4G	R	14	Conventional	AWT300,400,AWD300YM,350XM	111
55020-07Z5F	R	16	Conventional	AWD350XM,AWD350YM	111
55020-30Z01	R	M5+H5	Two-stage	MK210,250-HEAVY DUTY	112
55020-30Z03	R	M4+H5	Two-stage	MK211E,260-LOW FLOOR	112
55020-30Z04	R	M4+H5	Two-stage	MK211E,260-ULTRA LOW FLOOR	112
55020-30Z08	R	M8+H7	Two-stage	LK210,250	113
55020-30Z0A	R	M4+H5	Two-stage	MK36C,37C,38C-LOW FLOOR	113
55020-30Z11	R	M7+H6	Two-stage	PK250-TRACTOR	114
55020-30Z14	R	M4+H5	Two-stage	MK210,250-STD	114
55020-30Z60	R	M7+H7	Two-stage	PK251,260-STD	114
55020-30Z72	R	M8+H7	Two-stage	PK251S-HEAVY DUTY	115



ASM Number	F / R	LEAF	TYPE	Basic Model	Page
55020-31Z00	R	M8+H9	Two-stage	PK211,251,260-LOW FLOOR	115
55020-31Z10	R	M4+H5	Two-stage	MK251,260-STD	116
55020-31Z12	R	M5+H5	Two-stage	MK251,260-HEAVY DUTY	116
55020-31Z14	R	M5+H6	Two-stage	MK251,260	116
55020-31Z15	R	M4+H5	Two-stage	MK251,260-LOW FLOOR	117
55020-31Z16	R	M4+H5	Two-stage	MK251,260-ULTRA LOW FLOOR	117
55020-31Z66	R	M6+H7	Two-stage	LK252,262-HEAVY DUTY	117
55020-31Z71	R	7	Conventional	PW252,25A,37A,37C-STD	118
55020-31Z72	R	8	Conventional	PW252,25A,37A,37C-HEAVY DUTY	118
55020-31Z76	R	M5+H5	Conventional	MK212,252,262,25A,26A-HEAVY DUTY	118
55020-32Z00	R	M7+H6	Conventional	PK251,260,37A-STD	119
55020-32Z09	R	M4+H5	Conventional	MK212,252,262,25A,26A-STD	119
55020-50Z00	R	15	Conventional	TZA520	119
55020-90061	R	8	Conventional	U20,U30-BUS	120
55020-90062	R	8	Conventional	U31,U36-BUS	120
55020-90073	R	M12+H6	Two-stage	U780	120
55020-90168	R	11	Conventional	RB46-BUS	121
55020-90176	R	4	Parabolic	RP210,UA440	121
55020-Z0061	R	M6+H5	Conventional	CK-TRACTOR	121
55020-Z0064	R	M6+H5	Conventional	CK-TRACTOR	122
55020-Z0116	R	M9+H7	Two-stage	CPC12	122
55020-Z0171	R	M7+H5	Two-stage	CK46,54,66,67-TRACTOR	123
55020-Z0172	R	M8+H9	Two-stage	CPB12,15-STD	123
55020-Z0173	R	M9+H10	Two-stage	CPB12,15-HEAVY DUTY	124
55020-Z1064	R	M8+H4	Two-stage	CV45,46,50,51	124
55020-Z1066	R	M7+H5	Two-stage	CV31,46,47,51,54,66-Tank Lorry	125
55020-Z1067	R	M9+H5	Two-stage	CV31,46,47,51,54,66	125
55020-Z1068	R	M8+H4	Two-stage	CK46,47,54,66, CV46,66	126
55020-Z1108	R	M5+H5	Two-stage	CV46,47,54,66	126
55020-Z1109	R	M7+H3	Two-stage	CV46,47,54,66	126
55020-Z2070	R	7	Conventional	LW46,54	127
55020-Z2076	R	8	Conventional	CWA-TRACTOR	127
55020-Z2114	R	10	Conventional	CD45,46,52,53	127
55020-Z2119	R	9	Conventional	CW52,53,60,66-HEAVY DUTY	127
55020-Z2165	R	9	Conventional	CW52,53,60,66-HEAVY DUTY	128
55020-Z2166	R	9	Conventional	CW52,54,66,67-TRACTOR HEAVY DUTY	128
55020-Z2169	R	8	Conventional	CW52,54,66,67-TRACTOR STD	128
55020-Z2210	R	9	Conventional	CW	128
55020-Z2211	R	9	Conventional	CW	129



ASM Number	F / R	LEAF	TYPE	Basic Model	Page
55020-Z2212	R	9	Conventional	WD153	129
55020-Z2301	R	9	Conventional	CW46,53,54,66-EXTRA HEAVY DUTY	129
55020-Z2302	R	9	Conventional	CW46,53,54,66-HEAVY DUTY	130
55020-Z5100	R	M4+H4	Two-stage	CM86-STD	130
55020-Z5108	R	M4+H5	Two-stage	CM86-CRANE	130
55020-Z5109	R	M5+H5	Two-stage	CM87,CM88-HEAVY DUTY	131
55020-Z5110	R	M4+H5	Two-stage	CM87,CM88-STD	131
55020-Z5112	R	M7+H7	Two-stage	CL80-STD	131
55020-Z5119	R	M8+H7	Two-stage	CL80-HEAVY DUTY	132
55020-Z5170	R	M7+H6	Two-stage	CP87,CP88-STD	132
55020-Z5171	R	M7+H7	Two-stage	CP87,CP88-HEAVY DUTY	133
55020-Z5173	R	M7+H5	Two-stage	CP87,CP88-CONTAINER	133
55020-Z5175	R	M8+H6	Two-stage	PK210,PK250-STD	134
55020-Z5176	R	M8+H7	Two-stage	PK210,PK250-HEAVY DUTY	134
55020-Z5179	R	M9+H7	Two-stage	PKC212	135
55020-Z5205	R	8	Conventional	RM8-BUS	135
55020-Z6011	R	4	Parabolic	RM211,RM250-BUS	135
55020-Z6067	R	4	Parabolic	RN210,RN252-BUS	135
55020-04Z00	R	M3+H2	Two-stage	CK451,531,551,541,481-TRACTOR	136
55020-05Z17	R	M3+H3	Two-stage	CK482,542,552,632,GK4XL-TRACTOR	136
55020-06Z75	R	5	Parabolic	CW4YLN,CW5YLN-HEAVY DUTY	136
55020-30Z2D	R	M7+H6	Two-stage	PK39L-HEAVY DUTY	136
55020-31Z61	R	M7+H8	Two-stage	PK251,260-HEAVY DUTY	137
55020-31Z70	R	M7+H8	Two-stage	PK210,262,36A-13t	137
55020-Z6006	R	4	Conventional	JP211,250-BUS	137



ASM Number	F / R	LEAF	TYPE	Basic Model	Page
48110-3790	F	5	Conventional	KD154	138
48110-5100	F	8	Conventional	FF172AA	138
48110-5201	F	6	Conventional	GD171・FF172AB	138
48110-5211	F	6	Conventional	GD171・FF172AB	138
48110-6180	F	7	Conventional	FW274,276,279-1ST	138
48110-6250	F	8	Conventional	FS630AD・FR270AD	139
48110-6480	F	7	Conventional	FS・FR・FP272~638AA	139
48110-7520	F	6	Conventional	SH60#,63#,71#-TRACTOR	139
48110-7590	F	5	Conventional	FD161~168・FD171~179-STD	139
48110-8581	F	4	Conventional	FD161,162・FD171,172-STD	140
48110-E0121	F	2	Parabolic		140
48110-E0G10	F	2	Parabolic	FC6J,7J,9J・FD7J,8J,9J-STD	140
48110-E1050	F	2	Parabolic	FW1A,1E	140
48110-E1070	F	3	Parabolic	FW1A,1E	140
48110-E1170	F	2	Parabolic	FS1A,1E・FR1A,1E	140
48110-E1180	F	3	Parabolic	FS1A,1E・FR1A,1E	140
48110-E1290	F	2	Parabolic	FN1A	140
48110-E1351	F	3	Parabolic	FS1A,1E・FR1A,1E	140
48110-E1M21	F	2	Parabolic	SH1E-TRACTOR	140
48120-1011	F	7	Conventional	FR270,600,630・FS600,630,660	140
48120-1022	F	6	Conventional	FS600,633,634,636,638-OPT	141
48120-1640	F	4	Conventional	FD174,175,176・FD1,2H	141
48120-1430	F	3	Parabolic	FR27#,28#,600,604・FR1P,1K,1F,2F,3F	141
48120-3310	F	5	Parabolic	FF1H,2H,3H・FF1J	141
48120-3390	F	6	Conventional	GK1H,1J	141
48120-3620	F	4	Parabolic	FW1K,FW2K-2ND・FW1F,2F-2ND	141
48120-3700	F	3	Parabolic	FN1P,1K,1F,2K・GN2K,1P,1F	142
48120-5411	F	5	Conventional	FX3H,FX1J・GX1J	142
48120-6290	F	4	Parabolic	FR1F,3F,4F,1K,2K,2P, FP2P,FH2P,FS1K,2P	142
48120-6520	F	6	Conventional	FQ3F,1K,2P,4F,	142
48120-7722	F	4	Parabolic	FE1J	142
48120-8582	F	3	Parabolic	FS1K,1F,3F,4F・FR1F,2K	142
48150-1160	F	3	Parabolic	FW1K,2P,4F-2ND	142
48150-1171	F	3	Parabolic	FR2P・FS1K,2P,4F	143
48150-1181	F	3	Parabolic	FR2P・FS1K,2P,4F	143
48150-1480	F	2	Parabolic	FC1J,6J,7J-STD	143
48150-3010	F	3	Parabolic	FG8J-STD	143
48150-3310	F	3	Parabolic	FN1E,2P・GN1A	143
48150-3320	F	3	Parabolic	FN1E,FN2P	143
48150-3470	F	3	Parabolic	FN1E,FN2P	143
48150-3830	F	3	Parabolic	FW1E,FW1A	143



ASM Number	F / R	LEAF	TYPE	Basic Model	Page
48150-3840	F	4	Parabolic	FW1E,FW1A	143
48150-3860	F	3	Parabolic	FN1E,2P	144
48150-3910	F	3	Parabolic	FS1E,2P,1A-STD	144
48150-3920	F	4	Parabolic	FS1E,2P,1A-HEAVY DUTY	144
48150-4090	F	3	Parabolic		144
48110-E0P00	F	4	Parabolic	FE7J,2A · FJ7J	144
48120-3112	F	4	Conventional	FD2H,3H · FD1J,2J · FC3J,4J	144
48120-3410	F	7	Conventional	FG1H,FG1J	144
48120-3540	F	6	Conventional	FR1F,1K,1P,2F,2K,3F · FP1F	145
48120-3552	F	6	Conventional	FR1F,2K · FP1F,2K · FS1F,2K,2F,3F,1V	145
48120-3610	F	4	Parabolic	FW1F,1K,2K-1ST.AXLE	145
48120-3741	F	6	Conventional	FS1F,2F,3F · FS1K · FS1V	145
48120-5490	F	5	Conventional	SH1F,2F,3F · SH1V,2V-TRACTOR	145
48120-6281	F	5	Conventional	FR1K,2P,3F,4F · FS1K,4F-STD	145
48120-6481	F	4	Conventional	FW1K,3F,4F	146
48120-7083	F	5	Conventional	SH1K,1F,3F,4F,3V	146
48120-7901	F	4	Conventional	FD2H,3H · FD1J,2J · FC3J,4J	146
48120-8861	F	4	Conventional	FE1J	146
48150-1300	F	2	Parabolic	FC1J,3J,5J,6J,7J · FD7J,8J-STD	146
48150-1320	F	3	Parabolic	FC1J,3J,5J,6J,7J · FD7J,8J-HEAVY DUTY	146
48150-1341	F	3	Parabolic	GC7J · GD7J,8J · FE7J · FJ7J	146
48150-1400	F	4	Conventional	GC7J · GD1J,7J-STD	146
48150-1410	F	5	Conventional	GC7J · GD1J,7J-HEAVY DUTY	147
48150-2730	F	5	Parabolic		147
48150-3070	F	2	Parabolic	FH2P · FR2P · FS1E,2P · FQ1E-STD	147
48150-3080	F	3	Parabolic	FH2P · FR2P · FS1E,2P · FQ1E-HEAVY DUTY	147
48150-3110	F	2	Parabolic	SH1E · SS1E-TRACTOR STD	147
48150-3120	F	3	Parabolic	SH1E · SS1E-TRACTOR HEAVY DUTY	147



ASM Number	F / R	LEAF	TYPE	Basic Model	Page
48210-2930	R	9	Conventional	FS27#,FS33#,FS60#,FS63#,FS66# · FZ270 #	148
48210-2960	R	10	Conventional	FR274~279 · FR604~609 · FR634~639	148
48210-3901	R	M8+H7	Two-stage	FD121,151,171-DUMP	148
48210-5630	R	7	Conventional	FW276,279,606,609	149
48210-6010	R	10	Conventional	FR278,279,602,609-CARGO	149
48210-6060	R	11	Conventional	FR270,600~639-DUMP	149
48210-6610	R	11	Conventional	FR270,FR600,FR630	150
48210-7010	R	M7+H6	Two-stage	FD161~169,171~179	150
48210-7263	R	4	Parabolic	HT2M,HT3K-BUS	150
48210-9130	R	M5+H5	Two-stage	FD161~169,171~179 · FD1H,2H	151
48210-9850	R	10	Conventional	FR274~279 · FR604~609 · FR634~639	151
48210-E0050	R	10	Conventional	FR1A,1E,2P-STD	151
48210-E0060	R	11	Conventional	FR1A,1E,2P-HEAVY DUTY	152
48210-E0E20	R	10	Conventional	FS1A · FS1E-STD	152
48210-E0E30	R	11	Conventional	FS1A · FS1E-HEAVY DUTY	152
48210-E0E40	R	8	Conventional	FS1A · FS1E-LIGHT DUTY	153
48210-E0G20	R	M3+H2	Two-stage	FN1A	153
48210-E0G41	R	4	Parabolic	FR1A · FS1A,1E	153
48210-E0G51	R	4	Parabolic	FR1A · FS1A,1E	153
48210-E0G61	R	4	Parabolic	FR1A · FS1A,1E	153
48210-E0G71	R	5	Parabolic	FR1A · FS1A,1E	153
48220-2220	R	7	Conventional	FQ1F · FW1F,2F · GK1H	154
48220-2300	R	8	Conventional	FR1F,1K,2F,2K,3F	154
48220-2311	R	8	Conventional	FR2K,1F-OPT	154
48220-2321	R	9	Conventional	FR2K,1F-OPT HEAVY DUTY	154
48220-3581	R	9	Conventional	FR2K,1F-OPT	155
48220-3601	R	8	Conventional	FR2K,2P,1F,1K,3F,4F-STD	155
48220-4290	R	8	Conventional	FR1F,1K,2F,2K,3F	155
48220-4850	R	M8+H7	Two-stage	GC7J-HEAVY DUTY · GD7J-STD	156
48220-4920	R	13	Conventional	FR2PX,2PZ,FR1KX,1KZFR3FX,4FX	156
48220-4940	R	10	Conventional	FR2P,FR1K,FR3F,4F	157
48220-5030	R	8	Conventional	GK1J,8J · FQ1F,2P · FW1K,2P,3F,4F,	157
48220-5051	R	10	Conventional	FW1KZ,3FW,3FZ,4FW,4FZ	157
48220-5071	R	10	Conventional	FS2P,1E,1K,2P,1A,3F,4F-STD	158
48220-5100	R	7	Conventional	FW1K,2P,2F,3F,4F	158
48220-5801	R	10	Conventional	FR2PX,2PZ,FR1KX,1KZ,FR3FX-TANK ROLLY	158
48220-5943	R	M5+H6	Two-stage	FE1J-STD	159
48220-6050	R	M5+H5	Two-stage	GX1J,GD1J-STD	159
48220-6070	R	12	Conventional	FW1KX,FW2PX,FW3FX,FW4FX	159



ASM Number	F / R	LEAF	TYPE	Basic Model	Page
48220-6270	R	10	Conventional	FS1EW,1EZ,1KW,1KZ,4FW,4FZ...	160
48220-6310	R	11	Conventional	FS1EW,1EZ,1KW,1KZ,4FW,4FZ-HEAVY DUTY	160
48220-6520	R	M4+H3	Two-stage	SH1K,1F,3F,4F-TRACTOR	160
48220-6741	R	4	Parabolic	FR1EX,1KX,1KZ,2PX,1AX,4FX,4FZ	160
48220-8090	R	M4+H3	Two-stage	SH1K,1F,3F,4F-TRACTOR	161
48220-8220	R	4	Parabolic	FR1EX,1KX,1KZ,2PX,1AX,4FX,4FZ	161
48220-1801	R	M5+H5	Two-stage	FD1H,2H,3H,3W-STD	161
48220-2060	R	M7+H7	Two-stage	FG1H · FG1J	161
48220-2233	R	8	Conventional	FS2F,3F,4F,1K,2K,2P,1A,1E-STD	162
48220-3226	R	M4+H1	Two-stage	SH1F,1K,3V,4F,3V-TRACTOR	162
48220-4911	R	11	Conventional	FS2P,1E,1K,2P,1A,3F,4F-HEAVY DUTY	162
48220-5361	R	M5+H4	Two-stage	FH2K · FN1K,1F,2P,2K,3F · GN1K,1F,2P,2K	162
48220-5440	R	7	Conventional	SS1F,3V-TRACTOR	163
48220-5993	R	M4+H5	Two-stage	FC1J,3J · FD1J	163
48220-6020	R	M5+H5	Two-stage	FC2J,3J,4J · FD1J,2J	163
48220-6774	R	M4+H3	Two-stage	FH2P · FN1K,2P,1E,	163
48220-7051	R	M4+H3	Two-stage	GN2P,1A · FH1A,2P	164
48220-7300	R	M3+H4	Two-stage	FC3J,5J,6J,7J,8J · FD7J,8J-HEAVY DUTY	164
48220-7310	R	M3+H4	Two-stage	FC3J,5J,6J,7J,8J · FD7J,8J-HEAVY DUTY	164
48220-7360	R	M5+H6	Two-stage	FE1J,7J,8J · FJ1J,5J,7J,8J-HEAVY DUTY	164

ASM Number	F / R	LEAF	TYPE	Basic Model	Page
MC095836	F	9	Conventional	FV417	165
MC423001	F	8	Conventional	T653	165
MC556256	F	9	Conventional	FW444 · FW445 · FW449-OFF ROAD	165
MC558044	F	11	Conventional	FW444 · FW449-OFF ROAD	166
MK305426	F	5	Conventional	FH227,228 · FK628~629 · FK61G,61H	166
MK319483	F	3	Parabolic	FH21G,21H · FK61F,G,H,R · FK71D~	166
MK319493	F	3	Parabolic	FP-TRACTOR	166
MK319496	F	3	Parabolic	FP-TRACTOR	166
MK332695	F	3	Parabolic	FK61F,FK61H,FK61R,71R,FN61F	166
MK332696	F	3	Parabolic	FK61F,FK61H,FK61R,71R,FN61F	166
MK332701	F	3	Parabolic	FK61F,FK61H,FK61R,71R,FN61F	167
MK332704	F	4	Parabolic	FK61F,FK61H-HEAVY DUTY	167
MK332707	F	3	Parabolic	FK61R,FK71D,FK71H,FK71R	167
MK332747	F	3	Parabolic	FK61F,FK61H,FK64F,FK64H	167
MK336335	F	3	Parabolic	FU50J,50K,50M,54J · FV50V,50L,50M	167
MK336336	F	3	Parabolic	FU50J,50K,50M,54J · FV50V,50L,50M	167
MK470991	F	3	Parabolic	FK62F,FK65F,FK72F,FK75F	167
MK471527	F	3	Parabolic	FP50J,FP54J-TRACTOR	167
MK471528	F	3	Parabolic	FP50J,FP54J-TRACTOR	167
MK472355	F	3	Parabolic	FK61F,FK61R,FK64F,FK64R,FK71D,FK71F	168
MK472729	F	3	Parabolic	FP50J,FP54J-TRACTOR	168
MK472730	F	3	Parabolic	FP50J,FP54J-TRACTOR	168
MK613891	F	3	Parabolic	FU54J,54V,60V,64V · FV50J,50V,54J,54V,60V	168
MK613892	F	2	Parabolic	FU54J,54V,60V,64V · FV50J,50V,54J,54V,60V	168
MK633527	F	2	Parabolic	FP54J,54V,64V-TRACTOR	168
MC003305	F	7	Conventional	FP313,315,318-DUMP	168
MC011778	F	4	Conventional	FS415,FS418	168
MC012817	F	6	Conventional	FP413,418 · FU413~418 · FV413~419	169
MC014738	F	5	Conventional	FP413~419,445 · FT413~418 · FU413~478	169
MC014794	F	7	Conventional	FS425	169
MC015586	F	7	Conventional	FV416,FV419-HEAVY DUTY	169
MC017354	F	8	Conventional	FV415-HEAVY DUTY	169
MC017355	F	9	Conventional	FV416-EX HEAVY DUTY	170
MC021793	F	5	Conventional	FT413~418	170
MC023728	F	5	Conventional	FP413~419,445 · FT413~418 · FU413~478	170
MC034502	F	4	Conventional	FN427,FN428	170
MC034636	F	5	Conventional	FS415,FS416,FS418-1ST AXLE	170
MC034637	F	5	Conventional	FS415,FS416,FS418-2ND AXLE	170
MC035438	F	6	Conventional	FP411~419 · FP445~449	171



ASM Number	F / R	LEAF	TYPE	Basic Model	Page
MC035439	F	7	Conventional	FP411,FP414,FP415-HEAVY DUTY	171
MC041243	F	5	Conventional	FP413~419,445 · FT413~418 · FU413~478	171
MC041247	F	3	Parabolic	FP418 · FU410~419 · FU478	171
MC043938	F	4	Parabolic	FP410~419 · FP440~449	171
MC045252	F	6	Conventional	FP413,418 · FU413~418 · FV413~419	171
MC090243	F	6	Conventional	FM652,656,,658	172
MC090304	F	4	Conventional	FH217,FK612~619,622~628,662~668	172
MC090484	F	5	Conventional	FK612~619,628,629 · FN612	172
MC090608	F	5	Conventional	FV411~415,FV414	172
MC091448	F	9	Conventional	FH211,215,221 · FK615,617	172
MC092585	F	3	Parabolic	FP415 · FT410~417 · FU410~419	173
MC092589	F	3	Parabolic	FU410~419 · FV410~FV419	173
MC093576	F	3	Parabolic	FH227~228	173
MC093976	F	3	Parabolic	FS50J,K,M · FS510~519 · FS54J-1ST	173
MC093977	F	3	Parabolic	FS50J,K,M · FS510~519 · FS54J-2ND	173
MC095836	F	9	Conventional	T653	173
MC189221	F	3	Conventional	BE63C,63D,63E,BE632,636	173
MC287136	F	4	Conventional	MM117-BUS	173
MC288962	F	4	Conventional	MP218-BUS STD	174
MC288963	F	5	Conventional	MP218-BUS HEAVY DUTY	174
MC289082	F	5	Conventional	MM117,MM218,219 · MP217,218-BUS	174
MC289083	F	5	Conventional	MM117,MM218,219 · MP217,218-BUS	174
MC321907	F	4	Conventional		174
MC364518	F	4	Conventional	MJ117,MJ217~219 · MK117,MK218,219-BUS	174
MC364519	F	3	Parabolic	MK117 · MK218,MK219-BUS	175
MC366007	F	5	Conventional	MP217,218-BUS	175
MC408496	F	4	Conventional	FK415,416 · FK425 · FK515,516-STD	175
MC408497	F	4	Conventional	FK415,416 · FK425 · FK515,516-STD	175
MC408742	F	5	Conventional	FK415,416 · FK515,516-HEAVY DUTY	175
MC410064	F	6	Conventional	FM515~517-STD	175
MC416481	F	5	Conventional	FK315,316 · FK515,416 · FK515,516	175
MC429656	F	5	Conventional	FK416~418 · FK516~518-HEAVY DUTY	176
MC429657	F	6	Conventional	FK416~418 · FK516~518-HEAVY DUTY	176
MC429845	F	4	Conventional	FK330~337,415~418,515~518-STD	176
MC452187	F	7	Conventional	FH100 · FH215	176
MC470529	F	7	Conventional		176
MC556256	F	9	Conventional	FW444,FW445,FW449-OFF ROAD	177
MC558044	F	11	Conventional	FW444,FW449-OFF ROAD(HEAVY)	177
MC564076	F	7	Conventional	FW429-OFF ROAD	177



ASM Number	F / R	LEAF	TYPE	Basic Model	Page
MC569892	F	5	Conventional	FL417	177
MC569893	F	5	Conventional	FL417	178
MC571276	F	5	Conventional	FL417	178
MC625258	F	10	Conventional	FM515	178
MC626887	F	8	Conventional	FK415,FK417	178
MC626904	F	10	Conventional	FM515,517 · FM615~618	179
MC629323	F	12	Conventional		179
MK248042	F	3	Parabolic	MM319 · MP317 · MP33J-BUS	179
MK303903	F	3	Parabolic	FT510~517 · FU510~519 · FV505~519	179
MK303907	F	3	Parabolic	FT510~517 · FU510~519 · FV505~519	179
MK303908	F	3	Parabolic	FT510~517 · FU510~519 · FV505~519	180
MK304309	F	3	Parabolic	FT515 · FT517	180
MK304814	F	4	Conventional	FK603,622~629 · FK61G,H-STD	180
MK305150	F	4	Parabolic	FP510~519,541~549-TRACTOR	180
MK305346	F	4	Parabolic	FT510~517 · FU510~519 · FV505~519	180
MK305348	F	4	Parabolic	FT510~517 · FU510~519 · FV505~519	180
MK310410	F	6	Conventional	FK622 · FK628 · FK629	180
MK314737	F	9	Conventional	FV415,515~519,FV70,80 · T850	181
MK316924	F	3	Parabolic	FS510~519,FS50J,50K,50M,54J	181
MK317446	F	2	Parabolic	FH21#,FK61#FK71#-STD	181
MK317985	F	4	Parabolic	FM61F,62F,64F,65F	181
MK317986	F	4	Parabolic	FM61F,62F,64F,65F	181
MK319086	F	3	Parabolic	FS529 · FV517,519	181
MK319087	F	3	Parabolic	FS529、82H · FV517,519,51S,54S	181
MK319088	F	4	Parabolic	FS50J,52S,72H,82H · FV515,517	182
MK319089	F	4	Parabolic	FS50J,50K,52J,52S · FU70H · FV70H,80H	182
MK319396	F	3	Parabolic	FS52S,54S · FS82H,86G,86H	182
MK319479	F	3	Parabolic	FH21#,FK61#FK71#-STD	182
MK329810	F	3	Parabolic	FM62F,62H	182
MK329892	F	3	Parabolic	FQ62F	182
MK330788	F	3	Parabolic	FT50J,50K,515,517	182
MK330790	F	3	Parabolic	FP50#,FT50#,FV50# · FU510~519...	182
MK330791	F	3	Parabolic	FP50#,FT50#,FV50# · FU510~519...	182
MK330794	F	3	Parabolic	FT510~517 · FU510~519 · FV505~519	183
MK330803	F	3	Parabolic	FY50# · FY510~519 · FY54J	183
MK331402	F	3	Parabolic	MJ23H · MK23H	183
MK332567	F	3	Parabolic	FP50# · FU50# · FV50#-STD	183
MK332569	F	4	Parabolic	FP50# · FU50# · FV50#-HEAVY DUTY	183
MK332710	F	4	Parabolic	FK61F,61H,64F,64H,71H	183



ASM Number	F / R	LEAF	TYPE	Basic Model	Page
MK332993	F	4	Parabolic	FP54J-TRACTOR	183
MK336338	F	3	Parabolic	FU50#,FV50#-STD	183
MK336374	F	4	Parabolic	FU50#,FV50#-HEAVY DUTY	184
MK432415	F	8	Parabolic	FV50J,FV50M-OFF ROAD	184
MK432588	F	4	Parabolic	FP51J,51S · FP70,74,80,84-TRACTOR	184
MK469550	F	4	Parabolic	FM65F,67F · FN61F~64F	184
MK469558	F	4	Parabolic	FQ61F	184
MK470994	F	3	Parabolic	FQ62F	184
MK472163	F	3	Parabolic	FM65F,67F · FN61F~64F	184
MK472164	F	3	Parabolic	FM65F,67F · FN61F~64F	185
MK472742	F	3	Parabolic	FU50J,54J · FV50J,54J-STD	185
MK613893	F	2	Parabolic	FU50V,54V,60V,64V · FV50V,60V-STD	185
MK613894	F	3	Parabolic	FU50V,54V,60V,64V · FV50V,60V-HEAVY	185
MK631591	F	3	Parabolic	FQ62F	185
MK631840	F	3	Parabolic	FK61F,62F	185
MK631841	F	3	Parabolic	FK61F,62F	185
MK631842	F	4	Parabolic	FK62F,65F	185
MK631843	F	4	Parabolic	FK62F,65F	185
MK633106	F	3	Parabolic	FV50V,60V	186
ML218890	F	2	Parabolic	FS64V,74G,74H,84G,84H	186
ML282807	F	2	Parabolic	FU60V,64V,74G,74H,84G,84H · FV60V...	186



ASM Number	F / R	LEAF	TYPE	Basic Model	Page
MC035553	R	11	Conventional	FN527,617,618,627,628	187
MC093583	R	M5+H5	Two-stage	FH217,218-STD	187
MC423034	R	M12+H9	Two-stage	T653B,E	188
MC423560	R	M8+H7	Two-stage	T653B,E,G,M	188
MC424790	R	M8+H7	Two-stage	FK102,103-CARGO	189
MC424950	R	M8+H7	Two-stage	FK115,116,215,216-CARGO	189
MK331204	R	M5+H4	Two-stage	FK61F,61G,61H,61R,71D,71F,71G,71H,71R	190
MK333850	R	M4+H5	Two-stage	FK61F,61G,61H,61R,71D,71F,71G,71H,71R	190
MK459886	R	M4+H5	Two-stage	FK61F,61N,71F,71N-STD	190
MK471766	R	M2+H2	Two-stage	FK61F,61R,71D,71F,71R-STD	190
MK472801	R	M2+H3	Two-stage	FK61F,61R,71D,71F,71R-HEAVY DUTY	191
MK613666	R	M5+H6	Two-stage	FK61F,61N,71F,71N-STD	191
MB003484	R	6	Conventional	J53,55 MITSUBISHI Jeep	191
MB339052	R	6	Conventional	PAJERO	191
MC014134	R	11	Conventional	FV415	192
MC014139	R	M6+H3	Two-stage	FP413,418 · FT413,415,418	192
MC015068	R	8	Conventional	FS415,418	192
MC015069	R	9	Conventional	FU413,415,418-CARGO	193
MC015070	R	8	Conventional	FU413,415,418-DUMP	193
MC016062	R	M10+H9	Two-stage	FP418,517 · T850	193
MC016484	R	M7+H6	Two-stage	FR415,50J,50M,529 · FW429-OFF ROAD	194
MC016488	R	M6+H3	Two-stage	FP411,414,415,418,419	194
MC016489	R	7	Conventional	FV413,415,416,418,419	194
MC016555	R	9	Conventional	FV413-OPT	195
MC019146	R	M8+H11	Two-stage	FP415,416,417-TRACTOR	195
MC007097	R	M9+H8	Two-stage	FP517 · T850-TRACTOR	196
MC025924	R	9	Conventional	FU413,415,418,419	196
MC028136	R	8	Conventional	FU413,415,418,419	196
MC028147	R	6	Conventional	FU470,477,478-REYCO SUS	197
MC028148	R	6	Conventional	FU470,477,478-REYCO SUS	197
MC031335	R	8	Conventional	FV411,413,415,416,418,419	197
MC031802	R	7	Conventional	FV412,415-TRACTOR	197
MC034503	R	8	Conventional	FN428,FS410,411,415,416,418	197
MC034506	R	9	Conventional	FU413,415,418,419	197
MC035253	R	M7+H2	Two-stage	FP415,418,419-TRACTOR	198
MC035436	R	9	Conventional	FS425,FV411,413,415,416,418,419	198
MC041251	R	9	Conventional	FU410,413,415,415,418,419	198
MC041256	R	8	Conventional	FU478-REYCO SUS	199
MC041257	R	8	Conventional	FU478-REYCO SUS	199



ASM Number	F / R	LEAF	TYPE	Basic Model	Page
MC042786	R	M6+H3	Two-stage	FT410,413,415,416,417,418	199
MC042788	R	M5+H3	Two-stage	FT413,415,417,418	199
MC046336	R	9	Conventional	FU410,411,413,415,416,418,419	199
MC046339	R	8	Conventional	FU470,477,478-REYCO SUS	200
MC047160	R	M3+H2	Two-stage	FP410,411,414,415,418,419-TRACTOR	200
MC090246	R	M7+H6	Two-stage	FM652,656,658	200
MC090316	R	M5+H5	Two-stage	FK612,615,616,617,618,619,628-STD	200
MC090317	R	M5+H6	Two-stage	FK603,612,615,616,617,618,619-HEAVY	201
MC090318	R	M4+H4	Two-stage	FK612,615,616,617,618,619,628,727,728	201
MC090489	R	12	Conventional	FU470,477,478-REYCO SUS	201
MC090518	R	9	Conventional	FU410,411,413,415,416,418,419	202
MC090887	R	M6+H6	Conventional	FK61H,612,616,617,618,619,628,629	202
MC091452	R	M9+H7	Conventional	FH211,215,217 · FK615,617,618,618,61F	202
MC092602	R	9	Conventional	FV50,50K,50L,50M,501,511,512,515,519	203
MC092603	R	10	Conventional	FV50J~50N · FV500~519 · FW422~529	203
MC092604	R	11	Conventional	FV50J~50M · FV501~519	203
MC092605	R	10	Conventional	FV50J,50K,50M	204
MC092610	R	10	Conventional	FS50J,50K,50M-STD	204
MC092614	R	10	Conventional	FS50J,50K,50M-HEAVY DUTY	204
MC092684	R	10	Conventional	FU410,411,413,415,416,417,418,419	205
MC092685	R	8	Conventional	FN428,FS410,411,415,416,418	205
MC092702	R	12	Conventional	FU410,411	205
MC189742	R	3	Parabolic	BE63C,63D,63E,632-BUS	206
MC287142	R	7	Conventional	MP218-BUS	206
MC288968	R	7	Conventional	MP218-BUS	206
MC288969	R	7	Conventional	MP218-BUS	206
MC288970	R	8	Conventional	MP218-BUS	206
MC288971	R	8	Conventional	MP218-BUS	206
MC288988	R	8	Conventional	MP217,218-BUS	206
MC288989	R	8	Conventional	MP217,218-BUS	206
MC289086	R	8	Conventional	MP217,218-BUS	207
MC289087	R	8	Conventional	MP217,218-BUS	207
MC289088	R	8	Conventional	MP217,218-BUS	207
MC289089	R	8	Conventional	MP217,218-BUS	207
MC304616	R	5	Conventional	BUS	207
MC304617	R	5	Conventional	BUS	207
MC304618	R	5	Conventional	BUS	207
MC304751	R	9	Conventional		208
MC364433	R	7	Conventional	MK117,218,219-BUS	208



ASM Number	F / R	LEAF	TYPE	Basic Model	Page
MC364434	R	6	Conventional	MK117,218,219-BUS	208
MC364441	R	6	Conventional	MJ117,217,218-BUS	208
MC401355	R	M6+H5	Two-stage	FK216	209
MC410033	R	M6+H6	Two-stage	FM515,516,517	209
MC410283	R	M6+H5	Two-stage	FK415,416,515,516	209
MC410284	R	M6+H5	Two-stage	FK315,316,415,416,515,516	210
MC410285	R	M7+H6	Two-stage	FK415,416,417,418,515,516,517,518	210
MC421174	R	M6+H5	Two-stage	FK330,335,337,415,416,417,515,516,517	210
MC424770	R	M8+H8	Two-stage	FK102,103-CARGO	211
MC424790	R	M8+H7	Two-stage	FK102,103-CARGO	211
MC424810	R	M8+H7	Two-stage	FK102,103,115,116-DUMP	212
MC424950	R	M8+H7	Two-stage	FK115,116,215,216-CARGO	212
MC429853	R	M6+H5	Two-stage	FK330,335,337,415,416,417,515,516,517,518	213
MC556257	R	11	Conventional	FW444,445,449-OFF ROAD	213
MC558046	R	13	Conventional	FW444,449-OFF ROAD	213
MC626466	R	M11+H10	Two-stage	FM557,656,658,65F	214
MC626907	R	M9+H9	Two-stage	FM515,615,617,618,61F	215
MC629319	R	13	Conventional	BM115,117-BUS	215
MK248043	R	5	Parabolic	MP317-BUS	216
MK301801	R	M4+H4	Two-stage	FP-TRACTOR	216
MK304348	R	M3+H3	Two-stage	FP515,FT510,515,517,520,527	216
MK305146	R	M3+H2	Two-stage	FP510,511,512,514,515,519-TRACTOR	216
MK306246	R	5	Parabolic	FU50J,50K,50M,510~519-STD	216
MK306247	R	5	Parabolic	FU50J,50K,50M,510~519-HEAVY DUTY	217
MK306250	R	5	Parabolic	FS525 · FV501~519-STD	217
MK306251	R	5	Parabolic	FV500~519-HEAVY DUTY	217
MK306252	R	5	Parabolic	FS50J,50K,50M,510~519-STD	217
MK306253	R	5	Parabolic	FS50J,50K,50M,510~519-HEAVY DUTY	217
MK310163	R	M6+H6	Two-stage	FM622,629	218
MK310418	R	M7+H6	Two-stage	FM622,629,62F,62H	218
MK310757	R	6	Parabolic	FV501~519-HEAVY DUTY	218
MK311752	R	M4+H5	Two-stage	FK622,627,628,629-STD	219
MK314713	R	M3+H2	Two-stage	FT515,517,50J,50K	219
MK330591	R	4	Parabolic	FV50V,60V,70G,70H,80G,80H,80V	219
MK332379	R	3	Parabolic	MJ23H-BUS	219
MK333855	R	M6+H8	Two-stage	FK61F,61H,71H-HEAVY DUTY	219
MK333856	R	M6+H7	Two-stage	FK61F,61H,62F,71H,72F-STD	220
MK333862	R	M7+H6	Two-stage	FM62F,62M	220
MK382207	R	M3+H1	Two-stage	FP50J,50L,50M-TRACTOR	220



ASM Number	F / R	LEAF	TYPE	Basic Model	Page
MK382218	R	M3+H2	Two-stage	FP50J,50K · FT50J,50K	220
MK382224	R	M3+H2	Two-stage	FT50J,50K	221
MK382877	R	5	Parabolic	FS50J,50K · FV50J,50K,50L,50M	221
MK382878	R	5	Parabolic	FU50J,50K,50M · FV50J,50K,50M	221
MK382880	R	6	Parabolic	FU50J · FV50J,50K,50L,50M	221
MK382881	R	6	Parabolic	FU50J,50K,50M · FV50J,50K,50M	221
MK383338	R	6	Parabolic	FU50J,50K,50M · FV50J,50K	221
MK432434	R	8	Parabolic	FV50J,50M-OFF ROAD	222
MK433175	R	M3+H2	Two-stage	FT50J,50K	222
MK459271	R	M5+H5	Two-stage	FE83D	222
MK470178	R	5	Parabolic	FY50J,50M,50V,60V,70G,70H,80H,80V	222
MK472803	R	M2+H5	Two-stage	FK62F,72F	222
ML311292	R	M4+H5	Two-stage	FK62F,62N,72F,72N-STD	223
ML326095	R	M6+H7	Two-stage	FK62F,FK72F-HEAVY DUTY	223



ASM Number	F / R	LEAF	TYPE	Basic Model	Page
48110-60020	F	6	Conventional	FJ40	224
48110-60060	F	7	Conventional	BJ4# · FJ40 · FJ43 · HJ45	224
48110-60061	F	7	Conventional	BJ4# · FJ40 · FJ43 · HJ45	224
48110-60062	F	7	Conventional	BJ4# · FJ40 · FJ43	224
48110-60080	F	7	Conventional	FJ5 #	224
48110-60100	F	7	Conventional	HJ45 · FJ45	225
48110-60101	F	7	Conventional	HJ45 · FJ45	225
48110-60102	F	7	Conventional	BJ45 · FJ45 · HJ47	225
48110-60120	F	8	Conventional	FJ55	225
48110-60121	F	6	Conventional	FJ55	226
48110-60130	F	7	Conventional	FJ56	226
48110-60140	F	8	Conventional	FJ55	226
48110-60160	F	6	Conventional	BJ60 · FJ60 · HJ60	226
48110-60161	F	6	Conventional	BJ60 · FJ62 · HJ6#	226
48110-60170	F	5	Conventional	FJ62	227
48110-60210	F	6	Conventional	BJ60 · FJ60 · HJ60	227
48110-60250	F	5	Conventional	BJ75	227
48110-60361	F	7	Conventional	HJ60	227
48110-60410	F	5	Conventional	BJ60 · FJ62	227
48110-60460	F	7	Conventional	BJ60 · FJ62 · HJ6#	228
48110-60560	F	6	Conventional	HZJ70	228



ASM Number	F / R	LEAF	TYPE	Basic Model	Page
48210-60040	R	6	Conventional	FJ40 · BJ42	229
48210-60100	R	9	Conventional	BJ43 · FJ43	229
48210-60101	R	7	Conventional	BJ46	229
48210-60120	R	6	Conventional	BJ40 · FJ40 · FJ42	229
48210-60121	R	6	Conventional	FJ40 · BJ40	229
48210-60140	R	9	Conventional	HJ45 · FJ45	230
48210-60141	R	9	Conventional	BJ45 · FJ45 · HJ47	230
48210-60150	R	8	Conventional	FJ55	230
48210-60151	R	8	Conventional	FJ55	230
48210-60160	R	8	Conventional	FJ55	231
48210-60180	R	9	Conventional	FJ55	231
48210-60181	R	6	Conventional	FJ55	231
48210-60200	R	6	Conventional	BJ40 · FJ40	231
48210-60201	R	6	Conventional	BJ40 · BJ42 · FJ40	232
48210-60211	R	9	Conventional	BJ45 · FJ45 · HJ47	232
48210-60240	R	6	Conventional	BJ60 · FJ60 · HJ60	232
48210-60250	R	6	Conventional	BJ60 · FJ60	232
48210-60270	R	6	Conventional	BJ60 · FJ60 · HJ60	232
48210-60280	R	6	Conventional	BJ60 · FJ60	233
48210-60290	R	9	Conventional	BJ43 · BJ46 · FJ43	233
48210-60300	R	10	Conventional	BJ45 · FJ45 · HJ47	233
48210-60380	R	7	Conventional	FJ62 · HJ60	234
48210-60400	R	7	Conventional	BJ60 · HJ60	234
48210-60420	R	6	Conventional	BJ75 · FJ75 · HJ75	234
48210-60430	R	9	Conventional	BJ75 · FJ75 · HJ75	234
48210-60440	R	9	Conventional	FJ62	234
48210-60521	R	9	Conventional	FJ62 · HJ60	235
48210-60531	R	9	Conventional	FJ62	235
48210-60591	R	8	Conventional	BJ75 · FJ75 · HJ75	235
48210-60592	R	8	Conventional	PZJ75	235
48210-60741	R	10	Conventional	FJ75	236
48210-60760	R	6	Conventional	HZJ77	236
48210-60770	R	6	Conventional	HZJ77	236



中野スプリング株式会社
NAKANO SPRING Co.,Ltd.

URL : <http://www.nakano-sp.co.jp>

Head office

**11-17, 4Chome,shibaura,
Minato-Ku,Tokyo 108-0023,Japan**

TEL +81-(0)3-3451-3920

Tokyo/Osaka/Sapporo/Sendai/Fukuoka