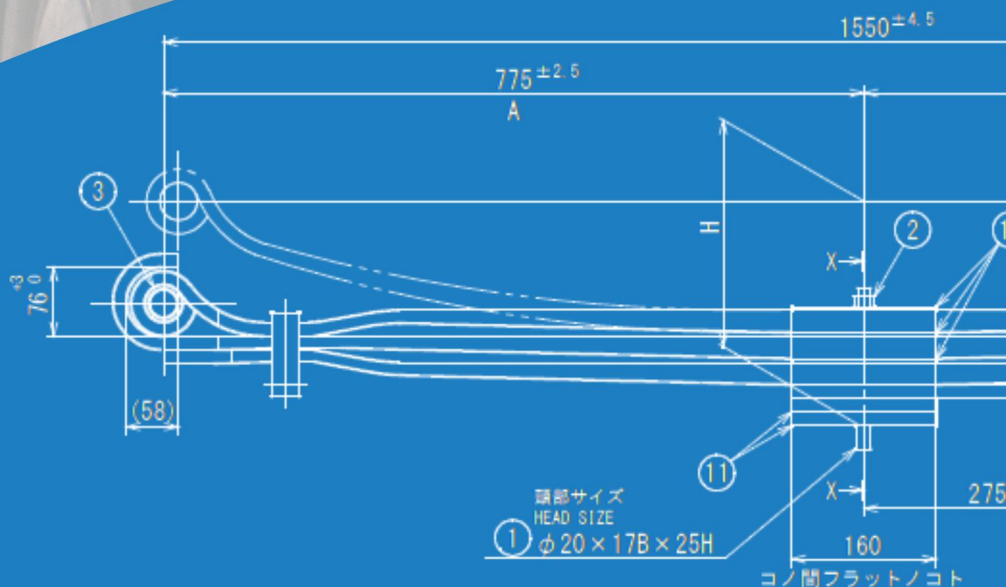


NSK LEAF SPRING CATALOGUE





ASM Number	No. of Leaf	Leaf Number	Span	Width	Thickness	Weight	Add info
8-97033-403-2	Assy		1140	60		17.8	
	No.1	8-97083-614-0	1140	60	13.5	9.2	W/Bush
	No.2	8-97083-615-0	1140	60	13.5	7.7	
	No.3	8-97083-616-0	1000	60	13.5	7.7	W/Clip
9-97033-405-3	Assy		1140	60		20.9	
	No.1	8-97083-620-0	1140	60	9.0	6.2	W/Bush
	No.2	8-97083-621-0	1140	60	10.0	5.7	
	No.3	8-97083-622-0	820	60	9.0	3.5	W/Clip
	No.4	8-97083-623-0	690	60	9.0	2.9	
	No.5	8-97083-624-0	480	60	12.0	2.6	
8-97033-408-1	Assy		1140	60		20.6	
	No.1	8-97083-641-0	1140	60	9.0	6.2	W/Bush
	No.2	8-97083-642-0	1140	60	9.0	5.1	
	No.3	8-97083-643-0	860	60	10.0	3.9	W/Clip
	No.4	8-97083-644-0	640	60	9.0	2.6	
	No.5	8-97083-645-0	460	60	9.0	1.8	
	No.6	8-97083-646-0	280	60	9.0	1.0	
8-97033-409-1	Assy		1140	60		21.2	
	No.1	8-97083-647-0	1140	60	10.0	6.9	W/Bush
	No.2	8-97083-648-0	1140	60	10.0	5.7	
	No.3	8-97083-649-0	840	60	10.0	3.8	W/Clip
	No.4	897083-650-0	640	60	10.0	2.9	
	No.5	8-97083-651-0	440	60	10.0	1.9	
8-97033-411-1	Assy		1140	60		21.6	
	No.1	8-97083-657-0	1140	60	10.0	6.9	W/Bush
	No.2	8-97083-658-0	1140	60	10.0	5.7	
	No.3	8-97083-659-0	850	60	10.0	4.2	W/Clip
	No.4	8-97083-660-0	650	60	10.0	2.9	
	No.5	8-97083-661-0	450	60	10.0	1.9	
8-97033-412-1	Assy		1140	60		21.6	
	No.1	8-97083-662-0	1140	60	10.0	6.9	W/Bush
	No.2	8-97083-663-0	1140	60	10.0	5.7	
	No.3	8-97083-664-0	850	60	11.0	4.2	W/Clip
	No.4	8-97084-665-0	650	60	10.0	2.9	
	No.5	8-97083-666-0	450	60	10.0	1.9	



ASM Number	No. of Leaf	Leaf Number	Span	Width	Thickness	Weight	Add info
8-97033-417-1	Assy		1140	60		23.9	
	No.1	8-97083-690-0	1140	60	10.0	6.9	W/Bush
	No.2	8-97083-691-0	1140	60	11.0	6.3	
	No.3	8-97083-692-0	850	60	11.0	4.2	W/Clip
	No.4	8-97083-693-0	650	60	11.0	3.2	
	No.5	8-97083-694-0	450	60	11.0	2.1	
	No.6	8-97083-695-0	250	60	10.0	1.2	
8-97033-418-1	Assy		1140	60		23.9	
	No.1	8-97083-696-0	1140	60	10.0	6.9	W/Bush
	No.2	8-97083-697-0	1140	60	11.0	6.3	
	No.3	8-97083-698-0	850	60	11.0	4.2	W/Clip
	No.4	8-97083-699-0	650	60	11.0	3.2	
	No.5	8-97083-670-0	450	60	11.0	2.1	
	No.6	8-97083-671-0	250	60	10.0	1.2	
8-97033-420-1	Assy		1140	60		23.9	
	No.1	8-97083-708-0	1140	60	10.0	6.9	W/Bush
	No.2	8-97083-709-0	1140	60	11.0	6.3	
	No.3	8-97083-710-0	850	60	11.0	4.2	W/Clip
	No.4	8-97083-711-0	650	60	11.0	3.2	
	No.5	8-97083-712-0	450	60	11.0	2.1	
	No.6	8-97083-713-0	250	60	10.0	1.2	
8-97033-429-3	Assy		1140	70		19.7	
	No.1	8-97084-827-0	1140	70	10.5	6.9	W/Bush
	No.2	8-97084-828-0	1140	70	14.0	7.3	
	No.3	8-97084-829-0	1000	70	14.0	5.5	W/Clip
8-97033-430-3	Assy		1140	70		19.7	
	No.1	8-97084-830-0	1140	70	10.5	6.9	W/Bush
	No.2	8-97084-831-0	1140	70	14.0	7.3	
	No.3	8-97084-832-0	1000	70	14.0	5.5	W/Clip
8-97071-626-2	Assy		1140	70		19.8	
	No.1	8-97075-482-0	1140	70	8.0	5.5	W/Bush
	No.2	8-97075-483-0	1140	70	8.0	4.5	
	No.3	8-97075-484-0	920	70	9.0	3.7	W/Clip
	No.4	8-97075-485-0	720	70	9.0	2.9	
	No.5	8-97075-486-0	520	70	9.0	2.0	
	No.6	8-97075-487-0	320	70	9.0	1.2	



ASM Number	No. of Leaf	Leaf Number	Span	Width	Thickness	Weight	Add info
8-97133-173-0	Assy		1140	60		20.6	
	No.1	8-97134-690-0	1140	60	9.0	6.2	W/Bush
	No.2	8-97134-691-0	1140	60	9.0	5.1	
	No.3	8-97134-692-0	860	60	10.0	3.9	W/Clip
	No.4	8-97134-693-0	640	60	9.0	2.6	
	No.5	8-97134-694-0	460	60	9.0	1.8	
	No.6	8-97134-695-0	280	60	9.0	1.0	
8-97324-638-0	Assy		1140	70		16.8	
	No.1	8-97330-045-0	1140	70	15.0	8.4	W/Bush
	No.2	8-97330-046-0	1140	70	15.5	8.1	W/Clip
8-97333-820-0	Assy		1300	70		19.8	
	No.1	8-97373-690-0	1300	70	16.5	10.1	W/Bush
	No.2	8-97373-691-0	1300	70	18.0	9.7	W/Clip
8-98079-965-0	Assy		1300	70		26.8	
	No.1	8-98077-437-0	1300	70	15.0	9.2	W/Bush
	No.2	8-98077-438-0	1300	70	17.0	9.7	
	No.3	8-98115-639-0	1160	70	16.5	7.9	W/Clip
8-98090-401-0	Assy		1300	70		34.1	
	No.1	8-98094-418-0	1300	70	11.0	9.8	W/Bush
	No.2	8-98080-189-0	1300	70	11.0	8.3	
	No.3	8-98080-190-0	1090	70	11.0	6.6	W/Clip
	No.4	8-98080-191-0	860	70	11.0	5.2	
	No.5	8-98080-193-0	520	70	16.0	4.2	
8-98079-914-0	Assy		1300	70		32.1	
	No.1	8-98081-387-0	1300	70	11.0	9.8	W/Bush
	No.2	8-98081-388-0	1300	70	11.0	8.2	
	No.3	8-98081-389-0	1000	70	11.0	5.7	W/Clip
	No.4	8-98081-390-0	760	70	11.0	4.3	
	No.5	8-98081-391-0	520	70	10.0	2.6	
	No.6	8-98081-392-0	320	70	10.0	1.5	
8-98075-741-0	Assy		1300	70		19.8	
	No.1	8-98077-431-0	1300	70	16.5	10.0	W/Bush
	No.2	8-98077-432-0	1300	70	18.0	9.8	W/Clip



ISUZU ELF

www.nakano-sp.co.jp

ASM Number	No. of Leaf	Leaf Number	Span	Width	Thickness	Weight	Add info
8-98079-920-0	Assy		1300	70		32.1	
	No.1	8-98081-379-0	1300	70	11.0	9.8	W/Bush
	No.2	8-98081-380-0	1300	70	11.0	8.2	
	No.3	8-98081-381-0	1000	70	11.0	5.7	W/Clip
	No.4	8-98081-382-0	760	70	11.0	4.3	
	No.5	8-98081-383-0	520	70	10.0	2.6	
	No.6	8-98081-384-0	320	70	10.0	1.5	



ISUZU ELF

www.nakano-sp.co.jp

ASM Number	No. of Leaf	Leaf Number	Span	Width	Thickness	Weight	Add info
8-94343-152-0	Assy		1300	70		51.0	
	No.1	8-94162-850-1	1300	70	12.0	10.3	W/Bush
	No.2	8-94162-851-1	1300	70	14.0	10.5	
	No.3	8-94162-852-3	1100	70	14.0	8.5	W/Clip
	No.4	8-94162-853-1	960	70	16.0	8.1	
	HNo.1	8-94162-854-3	760	70	20.0	7.9	W/Clip
	HNo.2	8-94162-855-1	560	70	20.0	5.7	
8-97033-487-1	Assy		1200	70		24.2	
	No.1	8-97083-753-0	1200	70	10.0	8.4	W/Bush
	No.2	8-97083-754-0	1205	70	10.0	7.0	W/Clip
	HNo.1	8-97083-755-0	900	70	20.0	8.8	
8-97033-490-4	Assy		1300	70		41.3	
	No.1	8-97083-759-0	1300	70	14.0	12.7	W/Bush
	No.2	8-97083-760-0	1305	70	16.0	12.1	W/Clip
	HNo.1	8-97083-761-0	960	70	20.0	9.9	
	HNo.2	8-97083-762-0	660	70	20.0	6.6	
8-97033-491-2	Assy		1300	70		39.7	
	No.1	8-97084-606-0	1300	70	12.0	10.3	W/Bush
	No.2	8-97084-607-0	1305	70	12.0	9.0	
	No.3	8-97084-608-0	1010	70	12.0	6.7	W/Clip
	HNo.1	8-97084-609-0	870	70	20.0	8.8	
	HNo.2	8-98084-610-0	560	70	18.0	4.9	
8-97033-495-1	Assy		1250	70		32.3	
8-97083-787-0	MNo.1	8-97083-788-0	1250	70	11.0	9.5	W/Bush
	MNo.2	8-97083-789-0	1250	70	12.0	8.7	W/Clip
	MNo.3	8-97083-790-0	810	70	12.0	4.9	
	MNo.4	8-97083-791-0	510	70	11.0	2.7	
8-97083-793-0	HNo.1	8-97083-793-0	900	70	18.0	6.5	
8-97033-498-1	Assy		1300	70		43.8	
	No.1	8-97083-816-0	1300	70	12.0	10.3	W/Bush
	No.2	8-97083-817-0	1305	70	13.0	9.8	
	No.3	8-97083-818-0	1020	70	14.0	7.8	W/Clip
	HNo.1	8-97083-819-0	870	70	20.0	9.3	
	HNo.2	8-97083-820-0	630	70	20.0	6.6	



ISUZU ELF

www.nakano-sp.co.jp

ASM Number	No. of Leaf	Leaf Number	Span	Width	Thickness	Weight	Add info
8-97033-518-1	Assy		1250	70		53.4	
8-97083-943-0	MNo.1	8-97083-944-0	1250	70	11.0	9.5	W/Bush
	MNo.2	8-97083-945-0	1255	70	11.0	8.0	
	MNo.3	8-97083-946-0	1240	70	11.0	7.5	W/Clip
	MNo.4	8-97083-947-0	780	70	11.0	4.6	
	MNo.5	8-97083-948-0	540	70	11.0	3.1	
	MNo.6	8-97083-949-0	300	70	10.0	1.5	
8-97083-950-0	HNo.1	8-97083-951-0	950	70	9.0	4.7	
	HNo.2	8-97083-952-0	950	70	10.0	5.2	
	HNo.3	8-97083-953-0	850	70	10.0	4.7	W/Clip
	HNo.4	8-97083-954-0	580	70	10.0	3.0	
	HNo.5	8-97083-955-0	340	70	10.0	1.6	
8-97033-560-2	Assy		1250	70		32.6	
8-97084-757-0	MNo.1	8-97084-758-0	1250	70	11.0	9.5	W/Bush
	MNo.2	8-97084-759-0	1250	70	12.0	8.7	W/Clip
	MNo.3	8-97084-760-0	810	70	12.0	4.9	
	MNo.4	8-97084-761-0	510	70	11.0	2.7	
8-97084-763-0	HNo.1	8-97084-763-0	970	70	18.0	6.8	
8-97033-562-3	Assy		1250	70		37.6	
8-97084-772-0	MNo.1	8-97084-773-0	1250	70	11.0	9.5	W/Bush
	MNo.2	8-97084-774-0	1250	70	12.0	8.7	W/Clip
	MNo.3	8-97084-775-0	810	70	12.0	4.9	
	MNo.4	8-97084-776-0	510	70	11.0	2.7	
8-97084-777-0	HNo.1	8-97084-778-0	970	70	16.0	5.9	
	HNo.2	8-97084-779-0	970	70	16.0	5.9	
8-97116-140-0	Assy		1250	70		53.5	
8-97116-381-0	MNo.1	8-97116-383-0	1250	70	11.0	9.5	W/Bush
	MNo.2	8-97116-384-0	1250	70	11.0	7.9	
	MNo.3	8-97116-385-0	1240	70	11.0	7.5	W/Clip
	MNo.4	8-97116-386-0	780	70	11.0	4.6	
	MNo.5	8-97116-387-0	540	70	11.0	3.1	
	MNo.6	8-97116-388-0	300	70	10.0	1.5	
8-97116-382-0	HNo.1	8-97116-389-0	970	70	9.0	4.8	
	HNo.2	8-97116-390-0	970	70	10.0	5.3	
	HNo.3	8-97116-391-0	850	70	10.0	4.7	W/Clip
	HNo.4	8-97116-392-0	580	70	10.0	3.0	
	HNo.5	8-97116-393-0	340	70	10.0	1.6	



ISUZU ELF

www.nakano-sp.co.jp

ASM Number	No. of Leaf	Leaf Number	Span	Width	Thickness	Weight	Add info
8-97073-225-2	Assy		1250	70		58.6	
8-97107-889-0	MNo.1	8-97107-873-0	1250	70	11.0	9.5	W/Bush
	MNo.2	8-97107-874-0	1255	70	11.0	8.0	
	MNo.3	8-97107-875-0	940	70	11.0	5.5	W/Clip
	MNo.4	8-97107-876-0	770	70	11.0	4.4	
	MNo.5	8-97107-877-0	600	70	11.0	3.4	
	MNo.6	8-97107-878-0	430	70	11.0	2.4	
	MNo.7	8-97107-879-0	260	70	11.0	1.6	
8-97107-890-0	HN0.1	8-97107-880-0	950	70	8.0	4.2	
	HN0.2	8-97107-881-0	850	70	8.0	3.7	
	HN0.3	8-97107-882-0	850	70	8.0	3.7	
	HN0.4	8-97107-883-0	660	70	9.0	3.3	W/Clip
	HN0.5	8-97107-884-0	560	70	9.0	2.8	
	HN0.6	8-97107-885-0	460	70	9.0	2.3	
	HN0.7	8-97107-886-0	360	70	9.0	1.8	
	HN0.8	8-97107-887-0	260	70	8.0	1.1	
	HN0.9	8-97107-888-0	200	70	8.0	0.9	
8-97133-169-0	Assy		1250	70		55.4	
8-97134-743-0	MNo.1	8-97134-744-0	1250	70	10.0	8.6	W/Bush
	MNo.2	8-97134-745-0	1250	70	10.0	7.2	
	MNo.3	8-97134-746-0	1240	70	10.0	6.8	W/Clip
	MNo.4	8-97134-747-0	870	70	11.0	5.1	
	MNo.5	8-97134-748-0	690	70	11.0	4.0	
	MNo.6	8-97134-749-0	510	70	11.0	2.9	
	MNo.7	8-97134-833-0	330	70	10.0	1.6	
8-97134-750-0	HN0.1	8-97134-751-0	970	70	12.5	4.8	
	HN0.2	8-97134-752-0	970	70	12.5	4.8	
	HN0.3	8-97134-753-0	970	70	12.5	4.8	
	HN0.4	8-97134-754-0	970	70	12.5	4.8	
8-97141-665-0	Assy		1300	70		59.0	
	No.1	8-97146-234-0	1300	70	12.0	10.3	W/Bush
	No.2	8-97146-235-0	1360	70	14.0	10.5	
	No.3	8-97146-236-0	1140	70	16.0	10.0	
	No.4	8-97146-237-0	990	70	16.0	8.7	W/Clip
	HN0.1	8-97146-239-0	840	70	20.0	8.9	
	HN0.2	8-97146-240-0	620	70	20.0	6.5	
	HN0.3	8-97146-241-0	400	70	20.0	4.1	



ISUZU ELF

www.nakano-sp.co.jp

ASM Number	No. of Leaf	Leaf Number	Span	Width	Thickness	Weight	Add info
8-97387-900-0	Assy		1300	70		37.9	
8-98037-637-0	MNo.1	8-98037-638-0	1300	70	13.0	11.7	W/Bush
	MNo.2	8-98037-639-0	1300	70	13.0	9.8	W/Clip
	MNo.3	8-98037-640-0	740	70	13.0	4.6	
8-98037-641-0	HNo.1	8-98037-642-0	970	70	16.0	5.9	
	HNo.2	8-98037-643-0	970	70	16.0	5.9	
8-98239-515-0	Assy		1300	70		56.5	
8-98241-219-0	MNo.1	8-98241-220-0	1300	70	11.0	9.8	W/Bush
	MNo.2	8-98241-221-0	1300	70	12.0	9.0	W/Clip
	MNo.3	8-98241-222-0	1010	70	12.0	6.4	
	MNo.4	8-98241-223-0	800	70	11.0	4.6	
	MNo.5	8-98241-224-0	590	70	11.0	3.3	
	MNo.6	8-98241-225-0	380	70	11.0	2.0	
8-98241-226-0	HNo.1	8-98241-227-0	970	70	9.0	4.8	
	HNo.2	8-98241-228-0	850	70	9.0	4.2	
	HNo.3	8-98241-229-0	850	70	9.0	4.2	
	HNo.4	8-98241-230-0	630	70	9.0	3.0	W/Clip
	HNo.5	8-98241-231-0	500	70	9.0	2.3	
	HNo.6	8-98241-232-0	370	70	9.0	1.7	
	HNo.7	8-98241-233-0	240	70	9.0	1.2	
8-98089-683-1	Assy		1300	70		53.0	
8-98094-402-0	MNo.1	8-98094-403-0	1300	70	11.0	9.8	W/Bush
	MNo.2	8-98094-404-0	1300	70	11.0	8.2	
	MNo.3	8-98094-405-0	960	70	11.0	5.5	W/Clip
	MNo.4	8-98094-406-0	760	70	11.0	4.3	
	MNo.5	8-98094-407-0	560	70	10.0	2.8	
	MNo.6	8-98094-408-0	360	70	10.0	1.7	
8-98094-409-0	HNo.1	8-98094-410-0	970	70	8.0	4.3	
	HNo.2	8-98094-411-0	850	70	8.0	3.7	
	HNo.3	8-98094-412-0	850	70	8.0	3.7	
	HNo.4	8-98094-413-0	660	70	8.0	2.9	
	HNo.5	8-98094-414-0	560	70	8.0	2.5	W/Clip
	HNo.6	8-98094-415-0	460	70	8.0	2.0	
	HNo.7	8-98094-416-0	360	70	8.0	1.6	



ASM Number	No. of Leaf	Leaf Number	Span	Width	Thickness	Weight	Add info
8-98072-424-0	Assy						
8-98082-040-0	MNo.1	8-98081-600-0					W/Bush
	MNo.2	8-98081-601-0					W/Clip
	MNo.3	8-98081-602-0					
	MNo.4	8-98061-603-0					
8-98081-604-0	HNo.1	8-98061-604-0					
8-98079-901-0	Assy		1300	70		49.2	
8-98039-307-0	MNo.1	8-98039-308-0	1300	70	10.0	8.9	W/Bush
	MNo.2	8-98039-309-0	1300	70	11.0	8.2	
	MNo.3	8-98039-310-0	980	70	11.0	5.7	W/Clip
	MNo.4	8-98039-311-0	780	70	11.0	4.5	
	MNo.5	8-98039-312-0	580	70	11.0	3.3	
	MNo.6	8-98039-313-0	380	70	10.0	1.8	
8-98039-314-0	HNo.1	8-98039-315-0	970	70	9.0	4.8	
	HNo.2	8-98039-316-0	850	70	9.0	4.2	
	HNo.3	8-98039-317-0	630	70	9.0	3.0	W/Clip
	HNo.4	8-98039-318-0	490	70	9.0	2.3	
	HNo.5	8-98039-319-0	350	70	9.0	1.6	
	HNo.6	8-98039-320-0	210	70	8.0	0.9	



ASM Number	No. of Leaf	Leaf Number	Span	Width	Thickness	Weight	Add info
MB025430	Assy		1140	70		17.3	
	No.1	MB025433	1140	70	8.0	6.4	W/Bush
	No.2	MB025434	1150	70	9.0	6.0	
	No.3	MB025435	730	70	9.0	3.3	W/Clip
	No.4	MB025436	390	70	9.0	1.6	
MB294469	Assy		1200	70		25.0	
	No.1	MB024671	1200	70	10.0	8.4	W/Bush
	No.2	MB024672	1200	70	10.0	6.9	
	No.3	MB024673	860	70	10.0	4.5	W/Clip
	No.4	MB024674	630	70	10.0	3.2	
	No.5	MB024675	400	70	10.0	1.9	
MB294509	Assy		1200	70		25.7	
	No.1	MB294651	1200	70	10.0	8.4	W/Bush
	No.2	MB294652	1200	70	10.0	6.9	
	No.3	MB294653	900	70	11.0	5.1	W/Clip
	No.4	MB294654	630	70	11.0	3.5	W/Clip
	No.5	MB294655	360	70	11.0	1.8	
MB294519	Assy		1200	70		21.8	
	No.1	MB294641	1200	70	10.0	8.4	W/Bush
	No.2	MB294642	1200	70	10.0	6.9	
	No.3	MB294643	790	70	11.0	4.3	W/Clip
	No.4	MB294644	440	70	11.0	2.2	
MB294530	Assy		1200	70		21.8	
	No.1	MB294526	1200	70	10.0	8.4	W/Bush
	No.2	MB294527	1200	70	10.0	6.9	
	No.3	MB294528	790	70	11.0	4.3	W/Clip
	No.4	MB294529	440	70	11.0	2.2	
MB294531	Assy		1200	70		21.8	
	No.1	MB294518	1200	70	10.0	8.4	W/Bush
	No.2	MB294533	1200	70	10.0	6.9	
	No.3	MB294534	790	70	11.0	4.3	W/Clip
	No.4	MB294535	440	70	11.0	2.2	
MB294540	Assy		1200	70		22.5	
	No.1	MB294536	1200	70	10.0	8.4	W/Bush
	No.2	MB294543	1200	70	11.0	7.6	
	No.3	MB294538	790	70	11.0	4.3	W/Clip
	No.4	MB294539	440	70	11.0	2.2	



ASM Number	No. of Leaf	Leaf Number	Span	Width	Thickness	Weight	Add info
MB294981	Assy		1200	70		29.8	
	No.1	MB294727	1200	70	10.0	8.4	W/Bush
	No.2	MB294728	1200	70	10.0	6.9	
	No.3	MB294729	1020	70	9.0	4.9	
	No.4	MB294730	880	70	9.0	4.2	W/Clip
	No.5	MB294983	740	70	16.0	5.4	W/Clip
MC110273	Assy		1200	70		28.5	
	No.1	MC091655	1200	70	9.0	7.5	W/Bush
	No.2	MC091656	1200	70	9.0	6.2	
	No.3	MC091657	1000	70	9.0	4.8	
	No.4	MC091658	840	70	9.0	4.0	W/Clip
	No.5	MC091659	700	70	18.0	6.0	W/Clip
MC110280	Assy		1200	70		29.8	
	No.1	MC091665	1200	70	10.0	8.4	W/Bush
	No.2	MC091666	1200	70	10.0	6.9	
	No.3	MC091667	1020	70	9.0	4.9	
	No.4	MC091668	880	70	9.0	4.2	W/Clip
	No.5	MC091669	740	70	16.0	5.4	W/Clip
MC110281	Assy		1200	70		29.8	
	No.1	MC091670	1200	70	10.0	8.4	W/Bush
	No.2	MC091671	1200	70	10.0	6.9	
	No.3	MC091672	1020	70	9.0	4.9	
	No.4	MC091673	880	70	9.0	4.2	W/Clip
	No.5	MC091674	740	70	16.0	5.4	W/Clip
MC110283	Assy		1200	70		29.8	
	No.1	MC091680	1200	70	10.0	8.4	W/Bush
	No.2	MC091681	1200	70	10.0	6.9	
	No.3	MC091682	1020	70	9.0	4.9	
	No.4	MC091683	880	70	9.0	4.2	W/Clip
	No.5	MC091684	740	70	16.0	5.4	W/Clip
MC110284	Assy		1200	70		29.8	
	No.1	MC091685	1200	70	10.0	8.4	W/Bush
	No.2	MC091686	1200	70	10.0	6.9	
	No.3	MC091687	1020	70	9.0	4.9	
	No.4	MC091688	880	70	9.0	4.2	W/Clip
	No.5	MC091689	740	70	16.0	5.4	W/Clip



ASM Number	No. of Leaf	Leaf Number	Span	Width	Thickness	Weight	Add info
MC110410	Assy		1200	70		19.0	
	No.1	MC091500	1200	70	9.0	7.5	W/Bush
	No.2	MC091501	1200	70	9.0	6.2	
	No.3	MC091502	750	70	9.0	3.4	W/Clip
	No.4	MC091503	450	70	9.0	1.9	
MK310011	Assy		1200	70		21.9	
	No.1	MC091204	1200	70	10.0	8.4	W/Bush
	No.2	MC091205	1200	70	10.0	6.9	
	No.3	MC091206	790	70	11.0	4.4	W/Clip
	No.4	MC091207	440	70	11.0	2.2	
MK310012	Assy		1200	70		21.9	
	No.1	MC091208	1200	70	10.0	8.4	W/Bush
	No.2	MC091209	1200	70	10.0	6.9	
	No.3	MC091210	790	70	11.0	4.4	W/Clip
	No.4	MC091211	440	70	11.0	2.2	
MK310022	Assy		1200	70		22.6	
	No.1	MC091228	1200	70	10.0	8.4	W/Bush
	No.2	MC091229	1200	70	11.0	7.6	
	No.3	MC091230	790	70	11.0	4.4	W/Clip
	No.4	MC091231	440	70	11.0	2.2	
MK310024	Assy		1200	70		22.6	
	No.1	MC091236	1200	70	10.0	8.4	W/Bush
	No.2	MC091237	1200	70	11.0	7.6	
	No.3	MC091238	790	70	11.0	4.4	W/Clip
	No.4	MC091239	440	70	11.0	2.2	
MK310031	Assy		1200	70		24.9	
	No.1	MC091245	1200	70	10.0	8.4	W/Bush
	No.2	MC091246	1200	70	10.0	6.9	
	No.3	MC091247	860	70	10.0	4.5	W/Clip
	No.4	MC091248	630	70	10.0	3.2	
	No.5	MC091249	400	70	10.0	1.9	
MK310032	Assy		1200	70		24.9	
	No.1	MC091250	1200	70	10.0	8.4	W/Bush
	No.2	MC091251	1200	70	10.0	6.9	
	No.3	MC091252	860	70	10.0	4.5	W/Clip
	No.4	MC091253	630	70	10.0	3.2	
	No.5	MC091254	400	70	10.0	1.9	



ASM Number	No. of Leaf	Leaf Number	Span	Width	Thickness	Weight	Add info
MK310033	Assy		1200	70		25.0	
	No.1	MC091255	1200	70	10.0	8.4	W/Bush
	No.2	MC091256	1200	70	10.0	6.9	
	No.3	MC091257	860	70	10.0	4.5	W/Clip
	No.4	MC091258	630	70	10.0	3.2	
	No.5	MC091259	400	70	10.0	2.0	
MK310041	Assy		1200	70		25.7	
	No.1	MC091260	1200	70	10.0	8.4	W/Bush
	No.2	MC091261	1200	70	10.0	6.9	
	No.3	MC091262	900	70	11.0	5.1	W/Clip
	No.4	MC091263	630	70	11.0	3.5	
	No.5	MC091264	360	70	11.0	1.8	
MK310042	Assy		1200	70		25.7	
	No.1	MC091265	1200	70	10.0	8.4	W/Bush
	No.2	MC091266	1200	70	10.0	6.9	
	No.3	MC091267	900	70	11.0	5.1	W/Clip
	No.4	MC091268	630	70	11.0	3.5	
	No.5	MC091269	360	70	11.0	1.8	
MK310044	Assy		1200	70		25.7	
	No.1	MC091275	1200	70	10.0	8.4	W/Bush
	No.2	MC091276	1200	70	10.0	6.9	
	No.3	MC091277	900	70	11.0	5.1	W/Clip
	No.4	MC091278	630	70	11.0	3.5	
	No.5	MC091279	360	70	11.0	1.8	
MK318437	Assy		1200	70		16.9	
	No.1	MK318455	1200	70	15.0	9.0	W/Bush
	No.2	MK318456	1210	70	16.0	7.9	W/Clip
MK329365	Assy		1200	70		27.3	
	No.1	MK315988	1200	70	11.0	9.3	W/Bush
	No.2	MK315989	1200	70	11.0	7.6	
	No.3	MK315990	870	70	12.0	5.3	W/Clip
	No.4	MK315991	590	70	12.0	3.5	
	No.5	MK315992	310	70	11.0	1.6	
MK330241	Assy		1200	70		17.2	
	No.1	MK330248	1200	70	16.0	9.3	W/Bush
	No.2	MK330249	1210	70	16.0	7.9	W/Clip



ASM Number	No. of Leaf	Leaf Number	Span	Width	Thickness	Weight	Add info
MK382483	Assy		1200	70		22.2	
	No.1	MK382504	1200	70	10.0	8.2	W/Bush
	No.2	MK382505	1200	70	11.0	7.4	
	No.3	MC091234	790	70	11.0	4.4	W/Clip
	No.4	MC091235	440	70	11.0	2.2	
MK382711	Assy		1200	70		25.4	
	No.1	MK382716	1200	70	10.0	8.2	W/Bush
	No.2	MK382717	1200	70	10.0	6.8	
	No.3	MC091267	900	70	11.0	5.1	W/Clip
	No.4	MC091268	630	70	11.0	3.5	
	No.5	MC091269	360	70	11.0	1.8	
MK383681	Assy		1200	70		21.7	
	No.1	MK432156	1200	70	10.0	8.3	W/Bush
	No.2	MK432157	1200	70	10.0	6.8	
	No.3	MK432158	790	70	11.0	4.4	W/Clip
	No.4	MK432159	440	70	11.0	2.2	
MK383682	Assy		1200	70		21.8	
	No.1	MK432160	1200	70	10.0	8.3	W/Bush
	No.2	MK432161	1200	70	10.0	6.8	
	No.3	MK432162	790	70	11.0	4.4	W/Clip
	No.4	MK432163	440	70	11.0	2.3	
MK383715	Assy		1200	70		27.1	
	No.1	MK432283	1200	70	11.0	9.1	W/Bush
	No.2	MK432284	1200	70	11.0	7.4	
	No.3	MK432285	870	70	12.0	5.4	W/Clip
	No.4	MK432286	590	70	12.0	3.6	
	No.5	MK432287	310	70	11.0	1.6	
MK433319	Assy		1200	70		16.9	
	No.1	MK433340	1200	70	16.0	9.2	W/Bush
	No.2	MK433361	1200	70	16.0	7.7	W/Clip
MK433320	Assy		1200	70		16.9	
	No.1	MK433341	1200	70	16.0	9.2	W/Bush
	No.2	MK433362	1200	70	16.0	7.7	W/Clip
MK631906	Assy		1200	70		23.0	
	No.1	MK631915	1200	70	14.0	9.0	W/Bush
	No.2	MK631916	1200	70	15.0	7.4	
	No.3	MK631917	1090	70	15.0	6.6	W/Clip



ASM Number	No. of Leaf	Leaf Number	Span	Width	Thickness	Weight	Add info
MK632889	Assy		1150	70		17.9	
	No.1	MK633189	1150	70	17.0	9.8	W/Bush
	No.2	MK633190	1150	70	17.0	8.1	W/Clip
ML237030	Assy		1150	70		17.9	
	No.1	ML237461	1150	70	16.5	9.5	W/Bush
	No.2	ML237473	1150	70	17.5	8.4	W/Clip
ML237036	Assy		1150	70		17.9	
	No.1	ML237460	1150	70	16.5	9.5	W/Bush
	No.2	ML237472	1150	70	17.5	8.4	W/Clip



ASM Number	No. of Leaf	Leaf Number	Span	Width	Thickness	Weight	Add info
MB391080	Assy		1250	70		31.6	
	No.1	MB391081	1250	70	11.0	9.6	W/Bush
	No.2	MB391082	1250	70	12.0	8.6	
	No.3	MB391083	920	70	11.0	5.3	W/Clip
	HNo.4	MB391084	760	70	18.0	6.4	W/Clip
	HNo.5	MB391085	260	70	12.0	1.7	
MB391103	Assy		1250	70		36.0	
	MNo.1	MB391124	1250	70	11.0	9.3	W/Bush
	MNo.2	MB391125	1250	70	11.0	7.9	
	MNo.3	MB391126	760	70	11.0	4.2	W/Clip
	MNo.4	MB391127	460	70	11.0	2.3	
	HNo.1	MB391143	990	70	11.0	4.3	
	HNo.2	MB391144	990	70	11.0	4.3	
	HNo.3	MB391145	880	70	10.0	3.7	W/Clip
MB391105	Assy		1250	70		39.3	
	MNo.1	MB391128	1250	70	11.0	9.3	W/Bush
	MNo.2	MB391129	1250	70	11.0	7.9	
	MNo.3	MB391130	840	70	11.0	4.7	W/Clip
	MNo.4	MB391131	590	70	11.0	3.2	
	MNo.5	MB391132	340	70	10.0	1.9	
	HNo.1	MB391143	990	70	11.0	4.3	
	HNo.2	MB391144	990	70	11.0	4.3	
	HNo.3	MB391145	880	70	10.0	3.7	W/Clip
MB391106	Assy		1250	70			
	MNo.1	MB391133	1250	70	10.0	8.4	W/Bush
	MNo.2	MB391134	1250	70	11.0	7.9	
	MNo.3	MB391135	950	70	11.0	5.5	
	MNo.4	MB391136	750	70	11.0	4.3	W/Clip
	MNo.5	MB391137	550	70	11.0	3.1	
	MNo.6	MB391138	350	70	11.0	1.8	
	HNo.1	MB391146	990	70			
	HNo.2	MB391147	990	70			
	HNo.3	MB391148	880	70			W/Clip



ASM Number	No. of Leaf	Leaf Number	Span	Width	Thickness	Weight	Add info
MB391159	Assy		1250			41.0	
	No.1	MB391161	1250	70	12.0	10.5	W/Bush
	No.2	MB391162	1250	70	12.0	8.7	
	No.3	MB391163	1000	70	12.0	6.6	W/Clip
	HNo.1	MB391164	860	70	18.0	7.8	W/Clip
	HNo.2	MB391165	580	70	18.0	5.1	
	HNo.3	MB391166	300	70	14.0	2.3	
MB391206	Assy		1250	70			
	MNo.1	MB391133	1250	70	10.0	8.4	W/Bush
	MNo.2	MB391134	1250	70	11.0	7.9	
	MNo.3	MB391135	950	70	11.0	5.5	
	MNo.4	MB391136	750	70	11.0	4.3	W/Clip
	MNo.5	MB391137	550	70	11.0	3.1	
	MNo.6	MB391138	350	70	11.0	1.8	
	HNo.1	MB391146	990	70			
	HNo.2	MB391147	990	70			
	HNo.3	MB391148	880	70			W/Clip
MB391275	Assy		1250	70		29.2	
	No.1	MB391276	1250	70	11.0	9.6	W/Bush
	No.2	MB391277	1250	70	11.0	7.9	
	No.3	MB391278	920	70	11.0	5.3	W/Clip
	HNo.1	MB391279	760	70	18.0	6.4	W/Clip
MB391327	Assy		1250	70		36.0	
	MNo.1	MB391340	1250	70	11.0	9.3	W/Bush
	MNo.2	MB391341	1250	70	11.0	7.9	
	MNo.3	MB391342	760	70	11.0	4.2	W/Clip
	MNo.4	MB391343	460	70	11.0	2.3	
	HNo.1	MB391344	990	70	11.0	4.3	
	HNo.2	MB391345	990	70	11.0	4.3	
	HNo.3	MB391346	880	70	10.0	3.7	W/Clip



ASM Number	No. of Leaf	Leaf Number	Span	Width	Thickness	Weight	Add info
MB391328	Assy		1250	70		39.3	
	MNo.1	MB391332	1250	70	11.0	9.3	W/Bush
	MNo.2	MB391333	1250	70	11.0	7.9	
	MNo.3	MB391334	840	70	11.0	4.7	W/Clip
	MNo.4	MB391335	590	70	11.0	3.2	
	MNo.5	MB391336	340	70	10.0	1.9	
	HNo.1	MB391337	990	70	11.0	4.3	
	HNo.2	MB391338	990	70	11.0	4.3	
	HNo.3	MB391339	880	70	10.0	3.7	W/Clip
MB391381	Assy		1250	70			
	MNo.1	MB391219	1250	70	10.0	8.4	W/Bush
	MNo.2	MB391220	1250	70	11.0	7.9	
	MNo.3	MB391221	950	70	11.0	5.5	
	MNo.4	MB391222	750	70	11.0	4.3	W/Clip
	MNo.5	MB391223	550	70	11.0	3.1	
	MNo.6	MB391224	350	70	11.0	1.8	
	HNo.1	MB391390	990	70	11.0	4.3	
	HNo.2	MB391391	990	70	11.0	4.3	
	HNo.3	MB391392	880	70	10.0	3.7	W/Clip
MB391416	Assy		1100	70		24.6	
	No.1	MB391417	1100	70	13.0	10.4	W/Bush
	No.2	MB391418	1100	70	13.0	8.4	W/Clip
	HNo.1	MB391419	710	70	18.0	5.8	W/Clip
MC114602	Assy		1200	70		23.3	
	No.1	MC114610	1200	70	11.0	9.3	W/Bush
	No.2	MC114611	1200	70	11.0	7.6	W/Clip
	HNo.1	MC114612	790	70	18.0	6.4	W/Clip
MC114626	Assy		1200	70		22.5	
	No.1	NC114627	1200	70	9.0	7.6	W/Bush
	No.2	NC114628	1200	70	10.0	6.9	W/Clip
	HNo.1	NC114629	960	70	18.0	8.0	W/Clip
MC114630	Assy		1250	70		35.1	
	No.1	MC114622	1250	70	13.0	11.4	W/Bush
	No.2	MC114623	1250	70	13.0	9.4	
	No.3	MC114624	970	70	14.0	7.2	W/Clip
	HNo.1	MC114625	760	70	20.0	7.1	W/Clip



ASM Number	No. of Leaf	Leaf Number	Span	Width	Thickness	Weight	Add info
MC114634	Assy		1250	70		39.2	
	No.1	MC114672	1250	70	12.0	10.5	W/Bush
	No.2	MC114673	1250	70	12.0	8.7	
	No.3	MC114674	1000	70	12.0	6.6	W/Clip
	HNo.1	MC114675	880	70	20.0	8.8	W/Clip
	HNo.2	MC114676	560	70	18.0	4.6	
MC114640	Assy		1200	70		28.5	
	No.1	MC114642	1200	70	11.0	9.3	W/Bush
	No.2	MC114643	1200	70	11.0	7.6	
	No.3	MC114644	920	70	11.0	5.3	W/Clip
	HNo.1	MC114645	760	70	18.0	6.3	W/Clip
MC114650	Assy		1200	70		32.3	
	No.1	MC114652	1200	70	12.0	10.2	W/Bush
	No.2	MC114653	1200	70	12.0	8.4	
	No.3	MC114654	970	70	13.0	6.6	W/Clip
	HNo.1	MC114655	760	70	20.0	7.1	W/Clip
MC114660	Assy		1200	70		23.5	
	No.1	MC114662	1200	70	11.0	9.3	W/Bush
	No.2	MC114663	1200	70	11.0	7.6	W/Clip
	HNo.1	MC114664	840	70	18.0	6.6	W/Clip
MC114800	Assy		1250	70		47.7	
	MNo.1	MC114804	1250	70	10.0	8.4	W/Bush
	MNo.2	MC114805	1250	70	11.0	7.9	
	MNo.3	MC114806	960	70	11.0	5.5	
	MNo.4	MC114807	760	70	11.0	4.3	W/Clip
	MNo.5	MC114808	560	70	11.0	3.1	
	MNo.6	MC114809	360	70	11.0	1.9	
	HNo.1	MC114822	990	70	11.0	4.3	
	HNo.2	MC114823	990	70	11.0	4.3	
	HNo.3	MC114824	880	70	11.0	4.0	
	HNo.4	MC114825	880	70	11.0	4.0	W/Clip



ASM Number	No. of Leaf	Leaf Number	Span	Width	Thickness	Weight	Add info
MC114810	Assy		1250	70		51.3	
	MNo.1	MC114804	1250	70	10.0	8.4	
	MNo.2	MC114805	1250	70	11.0	7.9	
	MNo.3	MC114806	960	70	11.0	5.5	
	MNo.4	MC114807	760	70	11.0	4.3	W/Clip
	MNo.5	MC114808	560	70	11.0	3.1	
	MNo.6	MC114809	360	70	11.0	1.9	
	HNo.1	MC114815	990	70	11.0	4.3	
	HNo.2	MC114816	990	70	11.0	4.3	
	HNo.3	MC114817	880	70	11.0	4.0	
	HNo.4	MC114818	880	70	11.0	4.0	
	HNo.5	MC114819	880	70	10.0	3.6	W/Clip
MC114960	Assy		1200	70		27.0	
	No.1	MC114962	1200	70	10.0	8.4	W/Bush
	No.2	MC114963	1200	70	10.0	6.9	W/Clip
	HNo.1	MC114964	920	70	16.0	7.5	W/Clip
	HNo.2	MC114965	560	70	16.0	4.2	
MC114970	Assy		1200	70		30.0	
	No.1	MC114972	1200	70	11.0	9.3	W/Bush
	No.2	MC114973	1200	70	12.0	8.3	W/Clip
	HNo.1	MC114974	880	70	18.0	7.9	W/Clip
	HNo.2	MC114975	560	70	18.0	4.5	
MC120890	Assy		1200	70		27.6	
	No.1	MC120891	1200	70	10.0	8.4	W/Bush
	No.2	MC120892	1200	70	10.0	6.9	W/Clip
	HNo.1	MC120893	460	70	18.0	8.1	W/Clip
	HNo.2	MC120894	260	70	18.0	4.2	
MK312234	Assy		1250	70		39.2	
	No.1	MK312235	1250	70	12.0	10.5	W/Bush
	No.2	MK312236	1250	70	12.0	8.7	
	No.3	MK312237	1000	70	12.0	6.6	W/Clip
	HNo.1	MK312238	880	70	20.0	8.8	W/Clip
	HNo.2	MK312239	560	70	18.0	4.6	
MK315102	Assy		1200	70		32.3	
	No.1	MC114652	1200	70	12.0	10.2	W/Bush
	No.2	MC114653	1200	70	12.0	8.4	
	No.3	MC114654	970	70	13.0	6.6	W/Clip
	HNo.1	MC114655	760	70	20.0	7.1	W/Clip



ASM Number	No. of Leaf	Leaf Number	Span	Width	Thickness	Weight	Add info
MK332333	Assy		1250	70		29.2	
	No.1	MK332334	1250	70	11.0	9.6	W/Bush
	No.2	MK332335	1250	70	11.0	7.9	W/Clip
	HN0.1	MK332336	960	70	16.0	7.6	W/Clip
	HN0.2	MK332337	560	70	16.0	4.1	
MK332358	Assy		1250	70		29.2	
	No.1	MK332359	1250	70	11.0	9.6	W/Bush
	No.2	MK332360	1250	70	11.0	7.9	W/Clip
	HN0.1	MK332361	960	70	16.0	7.6	W/Clip
	HN0.2	MK332362	560	70	16.0	4.1	
MK382837	Assy		1250	70		53.7	
	MNo.1	MK315999	1250	70	10.0	8.4	W/Bush
	MNo.2	MK316000	1250	70	11.0	7.9	
	MNo.3	MK316001	960	70	11.0	5.5	W/Clip
	MNo.4	MK316002	760	70	11.0	4.3	
	MNo.5	MK316003	560	70	11.0	3.1	
	MNo.6	MK316004	360	70	11.0	1.9	
	HN0.1	MK382838	990	70	12.0	4.8	
	HN0.2	MK382839	990	70	12.0	4.8	
	HN0.3	MK382840	880	70	12.0	4.5	
	HN0.4	MK382841	880	70	12.0	4.5	
	HN0.5	MK382842	880	70	11.0	4.0	W/Clip
MK383852	Assy		1200	70		32.4	
	No.1	MK432323	1200	70	12.0	10.2	W/Bush
	No.2	MK432324	1200	70	12.0	8.4	
	No.3	MK432325	970	70	13.0	6.6	W/Clip
	HN0.1	MK432326	760	70	20.0	7.2	W/Clip
MK383854	Assy		1250	70		39.2	
	No.1	MK432335	1250	70	12.0	10.5	W/Bush
	No.2	MK432336	1250	70	12.0	8.6	
	No.3	MK432337	1000	70	12.0	6.6	W/Clip
	HN0.1	MK432338	880	70	20.0	8.8	W/Clip
	HN0.2	MK432339	560	70	18.0	4.6	



ASM Number	No. of Leaf	Leaf Number	Span	Width	Thickness	Weight	Add info
MK383855	Assy		1250	70		35.2	
	No.1	MK432319	1250	70	13.0	11.5	W/Bush
	No.2	MK432320	1250	70	13.0	9.4	
	No.3	MK432321	970	70	14.0	7.2	W/Clip
	HNo.1	MK432322	760	70	20.0	7.1	W/Clip
MK383863	Assy		1200	70		27.0	
	No.1	MK432327	1200	70	10.0	8.4	W/Bush
	No.2	MK432328	1200	70	10.0	6.9	W/Clip
	HNo.1	MK432329	920	70	16.0	7.5	W/Clip
	HNo.2	MK432330	560	70	16.0	4.2	
MK383868	Assy		1200	70		24.6	
	No.1	MK432346	1200	70	9.0	7.6	W/Bush
	No.2	MK432347	1200	70	10.0	6.9	W/Clip
	HNo.1	MK432348	920	70	20.0	8.8	W/Clip
MK433573	Assy		1250	70		29.1	
	No.1	MC114732	1250	70	11.0	9.6	W/Bush
	No.2	MC114733	1250	70	11.0	7.9	
	No.3	MC114734	920	70	11.0	5.3	W/Clip
	HNo.1	MC114735	760	70	18.0	6.3	W/Clip
MK433575	Assy		1250	70		29.2	
	No.1	MK332344	1250	70	11.0	9.6	W/Bush
	No.2	MK332345	1250	70	11.0	7.9	W/Clip
	HNo.1	MK332346	960	70	16.0	7.6	W/Clip
	HNo.2	MK332347	560	70	16.0	4.1	
MK459439	Assy		1100	70		18.7	
	No.1	MK459979	1100	70	15.0	9.3	W/Bush
	HNo.1	MK459980	1120	70	22.0	9.4	W/Clip
MK459802	Assy		1250	70		49.6	
	MNo.1	MK613509	1250	70	12.0	10.2	W/Bush
	MNo.2	MK613510	1250	70	11.0	8.1	
	MNo.3	MK613511	1000	70	11.0	5.6	
	MNo.4	MK613512	760	70	10.0	3.8	W/Clip
	MNo.5	MK613513	560	70	10.0	2.7	
	MNo.6	MK613514	360	70	10.0	1.6	
	HNo.1	MK613515	990	70	15.0	5.8	
	HNo.2	MK613516	990	70	15.0	5.8	
	HNo.3	MK613517	990	70	16.0	6.0	W/Clip



ASM Number	No. of Leaf	Leaf Number	Span	Width	Thickness	Weight	Add info
MK470460	Assy		1200	70		26.8	
	No.1	MK383754	1200	70	11.0	9.3	W/Bush
	No.2	MK432332	1200	70	12.0	8.3	W/Clip
	HNo.1	MK470461	900	70	22.0	9.2	W/Clip
MK471158	Assy		1200	70		26.8	
	No.1	MK471944	1200	70	11.0	9.3	W/Bush
	No.2	MK471945	1200	70	12.0	8.3	W/Clip
	HNo.1	MK471946	900	70	20.0	9.2	W/Clip
MK471580	Assy		1250	70		29.2	
	No.1	MK471581	1250	70	11.0	9.6	W/Bush
	No.2	MK471582	1250	70	11.0	7.9	W/Clip
	HNo.1	MK471583	960	70	16.0	7.6	W/Clip
	HNo.2	MK471584	560	70	16.0	4.1	
MK613929	Assy		1100	70		26.6	
	No.1	MK613964	1100	70	12.0	9.5	W/Bush
	No.2	MK613965	1125	70	13.0	8.5	W/Clip
	HNo.1	MK613966	900	70	21.0	8.6	W/Clip
MK613930	Assy		1250	70		40.9	
	No.1	MK613940	1250	70	11.0	9.3	W/Bush
	No.2	MK613941	1275	70	11.0	8.1	
	No.3	MK613942	1120	70	12.0	7.4	W/Clip
	No.4	MK613943	1000	70	12.0	6.6	
	HNo.1	MK613944	870	70	25.0	9.5	W/Clip
ML214369	Assy		1100	70		25.4	
	No.1	ML282348	1100	70	11.0	8.7	W/Bush
	No.2	ML282349	1100	70	11.0	7.1	W/Clip
	HNo.1	ML282350	890	70	22.0	9.6	W/Clip
ML214370	Assy		1100	70		33.3	
	No.1	ML282351	1100	70	10.0	7.9	W/Bush
	No.2	ML282352	1100	70	11.0	7.1	
	No.3	ML282353	970	70	11.0	5.8	W/Clip
	HNo.1	ML282354	860	70	20.0	8.6	W/Clip
	HNo.2	ML282355	470	70	18.0	3.9	
ML214372	Assy		1250	70		29.3	
	No.1	ML282361	1250	70	12.0	10.2	W/Bush
	No.2	ML282362	1250	70	12.0	8.7	W/Clip
	HNo.1	ML282363	970	70	23.0	10.4	W/Clip



ASM Number	No. of Leaf	Leaf Number	Span	Width	Thickness	Weight	Add info
MK459271	Assy		1300	60/70		45.4	
	MNo.1	MK459500	1300	60/70	11.0	8.7	W/Bush
	MNo.2	MK459502	1310	60	14.0	9.9	
	MNo.3	MK459503	860	60	14.0	5.2	W/Clip
	MNo.4	MK459505	490	60	11.0	2.4	
	MNo.5	MK459506	330	60	11.0	1.5	
	HNo.1	MK459507	1050	60	11.0	5.4	
	HNo.2	MK459508	900	60	11.0	4.7	
	HNo.3	MK459509	690	60	14.0	4.2	W/Clip
	HNo.4	MK459511	410	60	11.0	2.0	
	HNo.5	MK459512	290	60	11.0	1.4	



ASM Number	No. of Leaf	Leaf Number	Span	Width	Thickness	Weight	Add info
48110-37112	Assy		1150	70		15.5	
	No.1	48101-37112	1150	70	13.0	8.5	W/Bush
	No.2	48102-37112	1155	70	13.0	7.0	W/Clip
48110-37122	Assy		1150	70		15.5	
	No.1	48101-37122	1150	70	13.0	8.5	W/Bush
	No.2	48102-37122	1155	70	13.0	7.0	W/Clip
48110-37142	Assy		1150	70		15.5	
	No.1	48101-37142	1150	70	13.0	8.5	W/Bush
	No.2	48102-37142	1155	70	13.0	7.0	W/Clip
48110-37320	Assy		1240	70		21.8	
	No.1	48101-37320	1240	70	15.0	8.4	W/Bush
	No.2	48112-37320	1245	70	15.0	7.2	
48110-37330	Assy		1240	70		21.8	
	No.1	48101-37330	1240	70	15.0	8.4	W/Bush
	No.2	48112-37330	1245	70	15.0	7.2	
48110-37330		48102-37330	1140	70	15.0	6.2	W/Clip
	48110-37491	Assy		1250	70	24.3	
		No.1	48101-37491	1250	70	16.0	9.3
No.2		48112-37491	1250	70	16.0	8.0	
48110-37491		48102-37491	1170	70	16.0	7.0	W/Clip
	48110-37501	Assy		1250	70	24.3	
		No.1	48101-37501	1250	70	16.0	9.3
No.2		48112-37500	1250	70	16.0	8.0	
48110-37501		48102-37500	1170	70	16.0	7.0	W/Clip
	48110-37571	Assy		1250	70	19.1	
		No.1	48101-37571	1250	70	18.0	9.5
No.2		48102-37571	1260	70	20.0	9.6	W/Clip
48110-37632	Assy		1250	70		23.3	
	No.1	48101-37632	1250	70	15.0	8.8	W/Bush
	No.2	48112-37630	1250	70	15.0	7.8	
48110-37632		48102-37630	1170	70	15.0	6.7	W/Clip
	48110-37752	Assy		1250	70	23.3	
		No.1	48101-37752	1250	70	15.0	8.8
No.2		48112-37752	1250	70	15.0	7.8	
48110-37752		48102-37750	1170	70	15.0	6.7	W/Clip



ASM Number	No. of Leaf	Leaf Number	Span	Width	Thickness	Weight	Add info	
48110-37A00	Assy		1250	70		20.0		
	No.1	48101-37A00	1250	70	20.0	10.7	W/Bush	
	No.2	48102-37A00	1240	70	20.0	9.3	W/Clip	
48110-37A10	Assy		1250	70		20.0		
	No.1	48101-37A10	1250	70	20.0	10.7	W/Bush	
	No.2	48102-37A10	1240	70	20.0	9.3	W/Clip	
48110-37A20	Assy		1250	70		24.3		
	No.1	48101-37A20	1250	70	16.0	9.3	W/Bush	
	No.2	48112-37A20	1250	70	16.0	8.3		
48110-37A20	No.3	48102-37A20	1170	70	16.0	7.0	W/Clip	
	48110-37A30	Assy		1250	70		24.3	
		No.1	48101-37A30	1250	70	16.0	9.3	W/Bush
No.2		48112-37A30	1250	70	16.0	8.3		
48110-37A30	No.3	48102-37A30	1170	70	16.0	7.0	W/Clip	
	48110-37A41	Assy		1250	70		17.7	
		No.1	48101-37A41	1250	70	18.0	9.5	W/Bush
No.2		48102-37A41	1240	70	18.0	8.3	W/Clip	
48110-37A51	Assy		1250	70		17.7		
	No.1	48101-37A51	1250	70	18.0	9.5	W/Bush	
	No.2	48102-37A51	1240	70	18.0	8.3	W/Clip	
48110-37D50	Assy		1250	70		20.0		
	No.1	48101-37D50	1250	70	20.0	10.7	W/Bush	
	No.2	48102-37D50	1240	70	20.0	9.3	W/Clip	
48110-37D60	Assy		1250	70		20.0		
	No.1	48101-37D60	1250	70	20.0	10.7	W/Bush	
	No.2	48102-37D60	1240	70	20.0	9.3	W/Clip	
48110-37D90	Assy		1250	70		25.3		
	No.1	48101-37D90	1250	70	17.0	9.4	W/Bush	
	No.2	48112-37D90	1250	70	17.0	8.4		
48110-37D90	No.3	48102-37D90	1170	70	17.0	7.5	W/Clip	
	48110-37E00	Assy		1250	70		25.3	
		No.1	48101-37E00	1250	70	17.0	9.4	W/Bush
No.2		48112-37E00	1250	70	17.0	8.4		
48110-37E00	No.3	48102-37E00	1170	70	17.0	7.5	W/Clip	
	48120-37L22	Assy		1250	70		23.0	
		No.1	48101-37L22	1250	70	15.0	8.7	W/Bush
No.2		48112-37L22	1250	70	15.0	7.7		
48120-37L22	No.3	48102-37L22	1170	70	15.0	6.6	W/Clip	



ASM Number	No. of Leaf	Leaf Number	Span	Width	Thickness	Weight	Add info
48110-3B653	Assy		1165.0	70		14.8	
	No.1	48101-3B653	1165.0	70	14.0	8.0	W/Bush
	No.2	48102-3B653	1172.5	70	14.0	6.8	W/Clip
48110-3B663	Assy		1165.0	70		14.8	
	No.1	40101-3B663	1165.0	70	14.0	8.0	W/Bush
	No.2	48102-3B663	1172.5	70	14.0	6.8	W/Clip
48110-3B700	Assy		1150	70		18.7	
	No.1	48101-3B700	1150	70	11.0	7.1	W/Bush
	No.2	48112-3B700	1155	70	11.0	6.0	
	No.3	48102-3B700	1140	70	11.0	5.6	W/Clip
48110-3B730	Assy		1150	70		18.7	
	No.1	48101-3B730	1150	70	11.0	7.1	W/Bush
	No.2	48112-3B730	1155	70	11.0	6.0	
	No.3	48102-3B730	1140	70	11.0	5.6	W/Clip
48110-3B743	Assy		1165.0	70		14.8	
	No.1	48101-3B743	1165.0	70	14.0	8.0	W/Bush
	No.2	48102-3B743	1172.5	70	14.0	6.8	W/Clip
48110-3B753	Assy		1165	70		14.8	
	No.1	48101-3B753	1165	70	14.0	8.0	W/Bush
	No.2	48102-3B753	1172.5	70	14.0	6.8	W/Clip
48110-3V062	Assy		1250	70		25.3	
	No.1	48101-3V061	1250	70	17.0	9.4	W/Bush
	No.2	48112-3V060	1250	70	17.0	8.4	
	No.3	48102-3V060	1170	70	17.0	7.5	W/Clip
48110-3V072	Assy		1250	70		25.3	
	No.1	48101-3V071	1250	70	17.0	9.4	W/Bush
	No.2	48112-3V070	1250	70	17.0	8.4	
	No.3	48102-3V070	1170	70	17.0	7.5	W/Clip
48110-3V330	Assy		1250	70		22.6	
	No.1	48101-3V330	1250	70	15.0	8.6	W/Bush
	No.2	48112-3V330	1250	70	15.0	7.5	
	No.3	48102-3V330	1170	70	15.0	6.5	W/Clip
48110-3V340	Assy		1250	70		22.6	
	No.1	48101-3V340	1250	70	15.0	8.6	W/Bush
	No.2	48112-3V340	1250	70	15.0	7.5	
	No.3	48102-3V340	1170	70	15.0	6.5	W/Clip



ASM Number	No. of Leaf	Leaf Number	Span	Width	Thickness	Weight	Add info
48210-37132	Assy		1200	70		26.8	
	No.1	48201-37250	1200	70	11.0	9.1	W/Bush
	No.2	48202-37132	1205	70	11.0	7.8	W/Clip
	HNo.1	48203-37132	770	70	20.0	8.2	W/Clip
48210-37380	Assy		1300	70		34.1	
	MNo.1	48201-37380	1300	70	21.0	12.1	W/Bush
	MNo.2	48202-37380	1305	70	21.0	10.2	W/Clip
	HNo.1	48213-37380	1000	70	17.0	6.0	
	HNo.2	48214-37380	900	70	17.0	5.8	
48210-37390	Assy		1300	70		34.1	
	MNo.1	48201-37390	1300	70	21.0	12.1	W/Bush
	MNo.2	48202-37390	1305	70	21.0	10.2	W/Clip
	HNo.1	48213-37390	1000	70	17.0	6.0	
	HNo.2	48214-37390	900	70	17.0	5.8	
48210-37430	Assy		1300	70		34.1	
	MNo.1	48201-37430	1300	70	21.0	12.1	W/Bush
	MNo.2	48202-37430	1305	70	21.0	10.2	W/Clip
	HNo.1	48213-37430	1000	70	17.0	6.0	
	HNo.2	48214-37430	960	70	17.0	5.8	
48210-37440	Assy		1250	70		30.3	
	No.1	48201-37440	1250	70	15.0	10.1	W/Bush
	No.2	48202-37440	1255	70	16.0	9.0	W/Clip
	HNo.1	48203-37440	940	70	30.0	11.2	W/Clip
48210-37580	Assy		1250	70		31.3	
	No.1	48201-37580	1250	70	17.0	10.9	W/Bush
	No.2	48202-37580	1250	70	17.0	9.2	W/Clip
	HNo.1	48203-37580	940	70	30.0	11.2	W/Clip
48210-37610	Assy		1200	70		25.7	
	No.1	48201-37610	1200	70	12.0	8.5	W/Bush
	No.2	48202-37610	1150	70	12.0	7.3	W/Clip
	HNo.1	48203-37610	900	70	28.0	9.9	W/Clip
48210-37630	Assy		1200	70		28.7	
	No.1	48201-37630	1200	70	14.0	9.3	W/Bush
	No.2	48202-37630	1150	70	14.0	8.3	W/Clip
	HNo.1	48203-37630	900	70	30.0	11.1	W/Clip



ASM Number	No. of Leaf	Leaf Number	Span	Width	Thickness	Weight	Add info
48210-37640	Assy		1210	70		44.9	
	No.1	48201-37640	1210	70	15.0	10.3	W/Bush
	No.2	48212-37640	1160	70	10.0	6.8	
	No.3	48213-37640	1020	70	10.0	5.6	
	No.4	48214-37640	1020	70	10.0	5.6	
	No.5	48202-37640	1000	70	10.0	5.5	W/Clip
	HNo.1	48203-37640	890	70	31.5	11.1	W/Clip
48210-37690	Assy		1200	70		30.3	
	No.1	48201-37690	1200	70	15.0	10.0	W/Bush
	No.2	48202-37690	1150	70	15.0	8.6	W/Clip
	HNo.1	48203-37690	900	70	32.0	11.7	W/Clip
48210-37890	Assy		1200	70		25.6	
	No.1	48201-37890	1200	70	12.0	8.5	W/Bush
	No.2	48202-37890	1150	70	12.0	7.2	W/Clip
	HNo.1	48203-37890	900	70	28.0	9.9	W/Clip
48210-37A10	Assy		1215	70		27.5	
	No.1	48201-37A10	1215	70	13.0	9.0	W/Bush
	No.2	48202-37A10	1170	70	13.0	8.1	W/Clip
	HNo.1	48203-37A10	890	70	30.0	10.4	W/Clip
48210-37A21	Assy		1205	70		30.9	
	No.1	48201-37A21	1205	70	18.0	10.9	W/Bush
	No.2	48202-37A21	1205	70	18.0	9.1	W/Clip
	HNo.1	48203-37A21	905	70	32.0	10.9	W/Clip
48210-37A30	Assy		1300	70		34.5	
	MNo.1	48201-37A30	1300	70	21.0	12.4	W/Bush
	MNo.2	48202-37A30	1305	70	21.0	10.3	W/Clip
	HNo.1	48213-37A30	1000	70	17.0	6.0	
	HNo.2	48214-37A30	960	70	17.0	5.8	
48210-37A40	Assy		1300	70		42.5	
	MNo.1	48201-37710	1300	70	20.0	11.7	W/Bush
	MNo.2	48212-37710	1305	70	20.0	9.8	
	MNo.3	48204-37710	1310	70	20.0	9.4	W/Clip
	HNo.1	48261-37710	1000	70	16.5	6.0	
	HNo.2	48262-37710	930	70	16.5	5.6	
48210-37A60	Assy		1215	70		29.6	
	No.1	48201-37A60	1215	70	15.0	10.0	W/Bush
	No.2	48202-37A60	1165	70	15.0	8.4	W/Clip
	HNo.1	48203-37A60	890	70	32.0	11.2	W/Clip



ASM Number	No. of Leaf	Leaf Number	Span	Width	Thickness	Weight	Add info
48210-37A71	Assy		1205	70		31.8	
	No.1	48201-37A71	1205	70	19.0	11.4	W/Bush
	No.2	48202-37A71	1155	70	19.0	9.5	W/Clip
	HNo.1	48203-37A71	905	70	32.0	10.9	W/Clip
48210-37A80	Assy		1300	70		35.6	
	MNo.1	48201-37A80	1300	70	21.0	12.9	W/Bush
	MNo.2	48202-37A80	1305	70	21.0	10.7	W/Clip
	HNo.1	48213-37A80	1000	70	17.0	6.1	
	HNo.2	48214-37A80	960	70	17.0	5.9	
48210-37C20	Assy		1200	70		30.3	
	No.1	48201-37C20	1200	70	15.0	10.0	W/Bush
	No.2	48202-37C20	1150	70	15.0	8.6	W/Clip
	HNo.1	48203-37C20	900	70	32.0	11.7	W/Clip
48210-37U40	Assy		1210	70		32.5	
	No.1	48201-37U40	1210	70	20.0	10.6	W/Bush
	No.2	48202-37U40	1160	70	20.0	9.3	W/Clip
	HNo.1	48203-37U40	910	70	32.0	12.6	W/Clip
48210-3B600	Assy		1200	70		39.5	
	MNo.1	48201-3B230	1200	70	10.0	8.3	W/Bush
	MNo.2	48212-3B230	1205	70	10.0	7.0	
	MNo.3	48202-3B230	1080	70	11.0	6.5	W/Clip
	MNo.4	48214-3B230	920	70	10.0	5.0	
	HNo.1	48215-3B230	800	70	18.0	7.9	
	HNo.2	48203-3B230	520	70	18.0	4.8	W/Clip
48210-3B703	Assy		1200	70		40.8	
	No.1	48201-3B700	1200	70	13.0	10.9	W/Bush
	No.2	48212-3B703	1205	70	13.0	9.1	
	No.3	48202-3B703	1040	70	13.0	7.4	W/Clip
	HNo.1	48203-3B703	820	70	21.0	8.9	W/Clip
	HNo.2	48215-3B703	450	70	21.0	4.5	
48210-3V010	Assy		1200	70		26.9	
	No.1	48201-3V010	1200	70	13.0	9.0	W/Bush
	No.2	48202-3V010	1150	70	13.0	7.8	W/Clip
	HNo.1	48203-3V010	900	70	29.0	10.1	W/Clip
48210-3V270	Assy		1220	70		16.9	
	No.1	48201-3V270	1220	70	15.8	8.9	W/Bush
	No.2	48202-3V270	1175	70	15.8	8.0	W/Clip



ASM Number	No. of Leaf	Leaf Number	Span	Width	Thickness	Weight	Add info
48210-3V470	Assy		1300	70		34.1	
	MNo.1	48201-3V470	1300	70	17.0	11.2	W/Bush
	MNo.2	48202-3V470	1305	70	20.0	10.7	W/Clip
	HNo.1	48213-3V470	980	70	17.0	6.2	
	HNo.2	48214-3V470	920	70	17.0	6.0	
48210-3V531	Assy		1300	70		33.3	
	MNo.1	48201-3V350	1300	70	18.0	11.2	W/Bush
	MNo.2	48202-3V350	1305	70	21.0	10.9	W/Clip
	HNo.1	48213-3V350	980	70	15.0	5.6	
	HNo.2	48214-3V350	960	70	15.0	5.6	
48220-36100	Assy		1200	70		39.5	
	MNo.1	48201-3B230	1200	70	10.0	8.3	W/Bush
	MNo.2	48212-3B230	1205	70	10.0	7.0	
	MNo.3	48202-3B230	1080	70	11.0	6.5	W/Clip
	MNo.4	48214-3B230	920	70	10.0	5.0	
	HNo.1	48215-3B230	800	70	18.0	7.9	
	HNo.2	48203-3B230	520	70	18.0	4.8	W/Clip



ASM Number	No. of Leaf	Leaf Number	Span	Width	Thickness	Weight	Add info
1-51110-530-5	Assy		1470	80		57.5	
	No.1	1-51111-530-3	1470	80	12.0	13.4	W/Bush
	No.2	1-51112-530-0	1475	80	12.0	12.6	
	No.3	1-51113-530-2	1160	80	13.0	9.0	
	No.4	1-51114-530-0	960	80	13.0	7.4	W/Clip
	No.5	1-51115-530-0	760	80	18.0	8.1	
	No.6	1-51116-530-0	520	80	14.0	4.2	
	No.7	1-51117-530-0	320	80	14.0	2.8	
1-51110-539-0	Assy		1450	80		54.9	
	No.1	1-51111-539-0	1450	80	12.0	13.3	W/Bush
	No.2	1-51112-539-0	1455	80	12.0	12.4	
	No.3	1-51113-539-0	1230	80	14.0	10.1	W/Clip
	No.4	1-51114-539-0	980	80	14.0	7.9	W/Clip
	No.5	1-51115-539-0	730	80	14.0	5.7	
	No.6	1-51116-539-0	480	80	14.0	3.5	
	No.7	1-51117-539-0	230	80	14.0	2.0	
1-51110-692-1	Assy		1200	70		26.3	
	No.1	1-51111-692-0	1200	70	10.0	8.0	W/Bush
	No.2	151112-692-0	1205	70	11.0	8.3	
	No.3	1-51113-692-0	860	70	11.0	4.9	W/Clip
	No.4	1-51114-692-0	620	70	11.0	3.4	W/Clip
	No.5	1-51115-692-0	340	70	11.0	1.7	
1-51110-723-0	Assy		1470			68.7	
	No.1	1-51111-723-0	1470	80	12.0	13.4	W/Bush
	No.2	1-51112-723-0	1475	80	12.0	12.6	
	No.3	1-51113-723-0	1280	80	13.0	10.4	
	No.4	1-51114-723-0	1120	80	13.0	9.1	W/Clip
	No.5	1-51115-723-0	960	80	13.0	7.8	
	No.6	1-51116-723-0	800	80	13.0	6.5	
	No.7	1-51117-723-0	640	80	18.0	6.6	
	No.8	1-51118-723-0	280	80	13.0	2.3	



ASM Number	No. of Leaf	Leaf Number	Span	Width	Thickness	Weight	Add info
1-51110-822-1	Assy		1600	80		69.3	
	No.1	1-51111-822-0	1600	80	13.0	15.7	W/Bush
	No.2	1-51112-822-0	1605	80	13.0	14.7	
	No.3	1-51113-822-0	1350	80	13.0	10.5	
	No.4	1-51114-822-0	1150	80	13.0	8.9	W/Clip
	No.5	1-51115-822-0	950	80	13.0	7.3	
	No.6	1-51116-822-0	750	80	13.0	5.6	
	No.7	1-51117-822-0	550	80	13.0	4.0	
	No.8	1-51118-822-0	320	80	13.0	2.6	
1-51110-824-0	Assy		1600	80		76.5	
	No.1	1-51111-824-0	1600	80	13.0	15.7	W/Bush
	No.2	1-51112-824-0	1605	80	13.0	14.7	
	No.3	1-51113-824-0	1400	80	14.0	11.7	
	No.4	1-51114-824-0	1200	80	14.0	10.0	W/Clip
	No.5	1-51115-824-0	1000	80	14.0	8.2	
	No.6	1-51116-824-0	800	80	13.0	6.0	W/Clip
	No.7	1-51117-824-0	640	80	13.0	4.7	
	No.8	1-51118-824-0	450	80	13.0	3.3	
	No.9	1-51119-824-0	290	80	12.0	2.2	
1-51110-825-1	Assy		1600	80		75.6	
	No.1	1-51111-825-0	1600	80	13.0	15.7	W/Bush
	No.2	1-51112-825-0	1605	80	14.0	16.0	
	No.3	1-51113-825-0	1340	80	14.0	11.3	
	No.4	1-51114-825-0	1140	80	14.0	9.6	W/Clip
	No.5	1-51115-825-0	940	80	14.0	7.8	
	No.6	1-51116-825-0	740	80	14.0	6.1	
	No.7	1-51117-825-0	540	80	14.0	4.3	
	No.8	1-51118-825-0	340	80	13.0	2.8	
1-51110-979-0	Assy		1470	80		58.1	
	No.1	1-51111-979-0	1470	80	13.0	14.6	W/Bush
	No.2	1-51112-979-0	1475	80	14.0	14.8	
	No.3	1-51113-979-0	1240	80	14.0	10.4	W/Clip
	No.4	1-51114-979-0	1000	80	14.0	8.3	W/Clip
	No.5	1-51115-979-0	760	80	14.0	6.2	
	No.6	1-51116-979-0	520	80	13.0	3.8	



ASM Number	No. of Leaf	Leaf Number	Span	Width	Thickness	Weight	Add info
1-51110-981-0	Assy		1450	80		70.0	
	No.1	1-51111-981-0	1450	80	14.0	14.8	W/Bush
	No.2	1-51112-981-0	1455	80	13.0	13.5	
	No.3	1-51113-981-0	1240	80	13.0	9.8	W/Clip
	No.4	1-51114-981-0	1090	80	14.0	9.1	
	No.5	1-51115-981-0	910	80	14.0	7.6	
	No.6	1-51116-981-0	730	80	14.0	6.0	W/Clip
	No.7	1-51117-981-0	550	80	13.0	4.2	
	No.8	1-51118-981-0	440	80	13.0	3.0	
	No.9	1-51119-981-0	250	80	13.0	2.0	
1-51110-989-1	Assy		1350	70		30.8	
	No.1	1-51111-989-0	1350	70	11.0	9.7	W/Bush
	No.2	1-51112-989-0	1355	70	14.0	11.9	
	No.3	1-51113-989-0	920	70	14.0	6.4	W/Clip
	No.4	1-51114-989-0	500	70	12.0	2.8	
1-51110-990-1	Assy		1350	70		30.8	
	No.1	1-51111-990-0	1350	70	11.0	9.7	W/Bush
	No.2	1-51112-990-0	1355	70	14.0	11.9	
	No.3	1-51113-990-0	920	70	14.0	6.4	W/Clip
	No.4	1-51114-990-0	500	70	12.0	2.8	
1-51130-075-1	Assy		1450	80		61.2	
	No.1	1-51131-075-0	1450	80	13.0	14.5	W/Bush
	No.2	1-51132-075-1	1475	80	15.0	15.8	
	No.3	1-51133-075-0	1180	80	15.0	10.3	W/Clip
	No.4	1-51134-075-0	960	80	15.0	8.2	W/Clip
	No.5	1-51135-075-0	740	80	15.0	6.2	
	No.6	1-51136-075-0	520	80	15.0	4.1	
	No.7	1-51137-075-0	270	80	14.0	2.1	
1-51130-085-1	Assy		1200	70		26.3	
	No.1	1-51131-085-0	1200	70	10.0	8.0	W/Bush
	No.2	1-51132-085-0	1205	70	11.0	8.3	
	No.3	1-51133-085-0	860	70	11.0	4.9	W/Clip
	No.4	1-51134-085-0	620	70	11.0	3.4	W/Clip
	No.5	1-51135-085-0	340	70	11.0	1.7	



ASM Number	No. of Leaf	Leaf Number	Span	Width	Thickness	Weight	Add info
1-51130-086-1	Assy		1200	70		26.3	
	No.1	1-51131-086-0	1200	70	10.0	8.0	W/Bush
	No.2	1-51132-086-0	1205	70	11.0	8.3	
	No.3	1-51133-086-0	860	70	11.0	4.9	W/Clip
	No.4	1-51134-086-0	620	70	11.0	3.4	W/Clip
	No.5	1-51135-086-0	340	70	11.0	1.7	
1-51130-087-0	Assy		1200	70		32.9	
	No.1	1-51131-087-0	1200	70	10.0	8.0	W/Bush
	No.2	1-51132-087-0	1205	70	11.0	8.3	
	No.3	1-51133-087-0	1200	70	10.0	6.6	
	No.4	1-51134-087-0	860	70	11.0	4.9	W/Clip
	No.5	1-51135-087-0	620	70	11.0	3.4	W/Clip
1-51130-145-0	Assy		1200	70		35.3	
	No.1	1-51131-145-0	1200	70	10.0	8.0	W/Bush
	No.2	1-51132-145-0	1205	70	11.0	8.3	
	No.3	1-51133-145-0	1200	70	10.0	6.6	
	No.4	1-51134-145-0	980	70	11.0	5.6	W/Clip
	No.5	1-51135-145-0	740	70	11.0	4.1	W/Clip
1-51130-167-0	Assy		1450	80		51.6	
	No.1	1-51131-167-0	1450	80	13.0	14.5	W/Bush
	No.2	1-51132-167-0	1455	80	14.0	14.6	
	No.3	1-51133-167-0	1130	80	14.0	9.3	W/Clip
	No.4	1-51134-167-0	850	80	14.0	6.8	W/Clip
	No.5	1-51135-167-0	570	80	14.0	4.4	
1-51130-235-1	Assy		1350	70/60		29.6	
	No.1	1-51131-235-0	1350	70	12.5	10.1	W/Bush
	No.2	1-51132-235-0	1355	60	15.0	10.9	
	No.3	1-51133-235-0	870	60	15.0	6.1	W/Clip
1-51130-242-0	Assy		1200	70/60		23.2	
	No.1	1-51131-242-0	1200	70	10.5	7.7	W/Bush
	No.2	1-51132-242-0	1205	60	11.0	7.1	
	No.3	1-51133-242-0	880	60	11.0	4.3	W/Clip
	No.4	1-51134-242-0	600	60	11.0	2.8	W/Clip
No.5	1-51135-242-0	320	60	10.0	1.3		



ASM Number	No. of Leaf	Leaf Number	Span	Width	Thickness	Weight	Add info
1-51130-266-0	Assy		1200	70		35.9	
	No.1	1-51131-266-0	1200	70	10.0	8.0	W/Bush
	No.2	1-51132-266-0	1205	70	10.0	7.5	
	No.3	1-51133-266-0	1020	70	10.0	5.4	W/Clip
	No.4	1-51134-266-0	870	70	10.0	4.6	
	No.5	1-51135-266-0	720	70	10.0	3.8	
	No.6	1-51136-266-0	570	70	10.0	3.0	W/Clip
	No.7	1-51137-266-0	420	70	10.0	2.1	
	No.8	1-51138-266-0	270	70	10.0	1.5	
1-51130-273-0	Assy		1800	80		77.6	
	No.1	1-51131-273-0	1800	80	20.5	20.5	W/Bush
	No.2	1-51132-273-0	1825	80	22.0	20.4	
	No.3	1-51133-273-0	1800	80	22.0	18.3	
	No.4	1-51134-273-0	1800	80	22.0	18.4	W/Clip
1-51130-286-1	Assy		1350	70/60			
	No.1	1-51131-286-0	1350	70	12.5	10.1	W/Bush
	No.2	1-51132-286-0	1355	60	15.0	10.9	
	No.3	1-51133-286-0	1120	60	12.0	6.3	
	No.4	1-51134-286-0	870	60	15.0	6.1	W/Clip
	No.5	1-51135-286-0	500	60	12.0	2.5	
1-51130-292-1	Assy		1350	70/60		29.5	
	No.1	1-51131-292-0	1350	70	12.0	9.6	W/Bush
	No.2	1-51132-292-0	1355	60	13.5	9.5	
	No.3	1-51133-292-0	940	60	13.5	8.4	W/Clip
	No.4	1-51134-292-0	520	60	12.0	2.5	
1-51130-341-0	Assy		1400	80		48.0	
	No.1	1-51131-341-0	1400	80	12.0	12.9	W/Bush
	No.2	1-51132-341-0	1405	80	12.0	12.1	
	No.3	1-51133-341-0	1110	80	13.0	8.6	W/Clip
	No.4	1-51134-341-0	840	80	13.0	6.4	
	No.5	1-51135-341-0	570	80	11.0	3.7	W/Clip
	No.6	1-51136-341-0	410	80	11.0	2.6	
	No.7	1-51137-341-0	250	80	11.0	1.7	



ASM Number	No. of Leaf	Leaf Number	Span	Width	Thickness	Weight	Add info
1-51130-343-0	Assy		1470	80		63.8	
	No.1	1-51131-343-0	1470	80	14.0	15.5	W/Bush
	No.2	1-51132-343-0	1475	80	13.0	13.7	
	No.3	1-51133-343-0	1240	80	13.0	9.8	W/Clip
	No.4	1-51134-343-0	1040	80	13.0	8.1	
	No.5	1-51135-343-0	840	80	13.0	6.5	W/Clip
	No.6	1-51136-343-0	640	80	13.0	4.9	
	No.7	1-51137-343-0	440	80	13.0	3.2	
	No.8	1-51138-343-0	240	80	12.0	1.8	
1-51130-358-0	Assy		1450	80		58.9	
	No.1	1-51131-358-0	1450	80	13.0	14.5	W/Bush
	No.2	1-51132-358-0	1475	80	14.0	14.8	
	No.3	1-51133-358-0	1210	80	15.0	10.6	W/Clip
	No.4	1-51134-358-0	950	80	15.0	8.2	
	No.5	1-51135-358-0	690	80	15.0	5.7	W/Clip
	No.6	1-51136-358-0	400	80	13.0	3.0	
	No.7	1-51137-358-0	240	80	13.0	2.0	
1-51130-360-1	Assy		1450	80		59.1	
	No.1	1-51131-360-0	1450	80	14.0	15.6	W/Bush
	No.2	1-51132-360-0	1455	80	14.0	14.7	
	No.3	1-51133-360-1	1180	80	15.0	10.6	W/Clip
	No.4	1-51134-360-0	920	80	15.0	8.1	
	No.5	1-51135-360-0	660	80	15.0	5.7	W/Clip
	No.6	1-51136-360-0	370	80	12.0	2.6	
	No.7	1-51137-360-0	240	80	12.0	1.8	
1-51130-363-0	Assy		1450	80		55.8	
	No.1	1-51131-363-0	1450	80	13.0	14.5	W/Bush
	No.2	1-51132-363-0	1455	80	14.0	14.6	
	No.3	1-51133-363-0	1170	80	14.0	9.6	W/Clip
	No.4	1-51134-363-0	920	80	14.0	7.4	
	No.5	1-51135-363-0	670	80	14.0	5.2	W/Clip
	No.6	1-51136-363-0	390	80	12.0	2.7	
	No.7	1-51137-363-0	240	80	12.0	1.8	



ASM Number	No. of Leaf	Leaf Number	Span	Width	Thickness	Weight	Add info
1-51130-364-1	Assy		1450	80		62.0	
	No.1	1-51131-364-0	1450	80	14.0	15.6	W/Bush
	No.2	1-51132-364-0	1455	80	15.0	15.8	
	No.3	1-51133-364-1	1140	80	15.0	10.1	W/Clip
	No.4	1-51134-364-0	930	80	15.0	8.2	W/Clip
	No.5	1-51135-364-0	720	80	15.0	6.2	
	No.6	1-51136-364-0	510	80	15.0	4.2	
	No.7	1-51137-364-0	270	80	12.0	1.9	
1-51130-434-0	Assy		1450	80		65.4	
	No.1	1-51131-434-0	1450	80	13.0	14.5	W/Bush
	No.2	1-51132-434-0	1455	80	12.0	12.4	
	No.3	1-51133-434-0	1220	80	12.0	8.8	W/Clip
	No.4	1-51134-434-0	1070	80	13.0	8.3	
	No.5	1-51135-434-0	900	80	13.0	7.0	W/Clip
	No.6	1-51136-434-0	730	80	13.0	5.6	
	No.7	1-51137-434-0	560	80	13.0	4.2	
	No.8	1-51138-434-0	390	80	13.0	2.8	
	No.9	1-51139-434-0	220	80	13.0	1.8	
1-51130-443-0	Assy		1470	80		79.7	
	No.1	1-51131-443-0	1470	80	12.0	13.4	W/Bush
	No.2	1-51132-443-0	1475	80	12.0	12.6	
	No.3	1-51133-443-0	1470	80	12.0	11.1	
	No.4	1-51134-443-0	1280	80	13.0	10.4	
	No.5	1-51135-443-0	1120	80	13.0	9.1	W/Clip
	No.6	1-51136-443-0	960	80	13.0	7.8	
	No.7	1-51137-443-0	800	80	13.0	6.5	
	No.8	1-51138-443-0	640	80	18.0	6.5	
	No.9	1-51139-443-0	280	80	13.0	2.3	
1-51130-485-1	Assy		1600	80		56.7	
	No.1	1-51131-485-0	1600	80	21.0	19.2	W/Bush
	No.2	1-51132-485-0	1605	80	24.0	19.7	
	No.3	1-51133-485-2	1600	80	24.0	17.8	W/Clip



ASM Number	No. of Leaf	Leaf Number	Span	Width	Thickness	Weight	Add info
1-51130-662-0	Assy		1600	80		74.5	
	No.1	1-51131-662-0	1600	80	14.0	17.2	W/Bush
	No.2	1-51132-662-0	1605	80	14.0	16.0	
	No.3	1-51133-662-0	1410	80	17.0	14.3	W/Clip
	No.4	1-51134-662-0	1130	80	17.0	11.3	
	No.5	1-51135-662-0	850	80	17.0	8.3	W/Clip
	No.6	1-51136-662-0	570	80	17.0	5.3	
	No.7	1-51137-662-0	260	80	14.0	2.1	
1-51130-664-0	Assy		1600	80		62.4	
	No.1	1-51131-664-0	1600	80	14.0	17.2	W/Bush
	No.2	1-51132-664-0	1605	80	14.0	16.0	
	No.3	1-51133-664-0	1410	80	20.5	16.7	W/Clip
	No.4	1-51134-664-0	900	80	20.5	10.1	W/Clip
	No.5	1-51135-664-0	360	80	12.0	2.4	
1-51130-674-0	Assy		1600	80		56.3	
	No.1	1-51131-674-0	1600	80	21.5	19.2	W/Bush
	No.2	1-51132-674-0	1605	80	24.5	19.5	
	No.3	1-51133-674-0	1610	80	24.5	17.6	W/Clip
1-51130-734-0	Assy		1800	80		77.9	
	No.1	1-51131-734-0	1800	80	20.5	20.7	W/Bush
	No.2	1-51132-734-0	1825	80	22.0	20.5	
	No.3	1-51133-734-0	1800	80	22.0	18.3	
	No.4	1-51134-734-0	1800	80	22.0	18.4	W/Clip
1-51130-798-0	Assy		1450			65.7	
	No.1	1-51131-798-0	1450	80	13.0	14.7	W/Bush
	No.2	1-51132-798-0	1455	80	12.0	12.5	
	No.3	1-51133-798-0	1220	80	12.0	8.8	W/Clip
	No.4	1-51134-798-0	1070	80	13.0	8.3	
	No.5	1-51135-798-0	900	80	13.0	7.0	W/Clip
	No.6	1-51136-798-0	730	80	13.0	5.6	
	No.7	1-51137-798-0	560	80	13.0	4.2	
	No.8	1-51138-798-0	390	80	13.0	2.8	
	No.9	1-51139-798-0	220	80	13.0	1.8	
1-51130-849-0	Assy		1600	80		57.4	
	No.1	1-51131-849-0	1600	80	24.0	20.0	W/Bush
	No.2	1-51132-849-0	1610	80	26.0	19.6	
	No.3	1-51133-849-0	1600	80	26.0	17.8	W/Clip



ASM Number	No. of Leaf	Leaf Number	Span	Width	Thickness	Weight	Add info
1-51130-861-1	Assy		1350	70		23.3	
	No.1	1-51131-861-0	1350	70	18.0	11.8	W/Bush
	No.2	1-51132-861-0	1355	70	19.5	11.5	W/Clip
1-51130-888-0	Assy		1600	80		57.9	
	No.1	1-51131-888-0	1600	80	24.0	20.0	W/Bush
	No.2	1-51132-888-0	1605	80	25.0	19.9	
	No.3	1-51133-888-0	1600	80	25.0	18.0	W/Clip
1-51130-890-0	Assy		1600	80		69.5	
	No.1	1-51131-890-0	1600	80	21.0	18.7	W/Bush
	No.2	1-51132-890-0	1605	80	24.0	19.0	
	No.3	1-51133-890-0	1610	80	24.0	17.1	
	No.4	1-51134-890-0	1610	80	20.0	14.7	W/Clip
1-51130-892-0	Assy		1600	80		69.6	
	No.1	1-51131-892-0	1600	80	21.0	18.7	W/Bush
	No.2	1-51132-892-0	1610	80	24.0	19.1	
	No.3	1-51133-892-0	1600	80	24.0	17.0	
	No.4	1-51134-892-0	1600	80	20.0	14.8	W/Clip
1-51130-893-0	Assy		1600	80		71.9	
	No.1	1-51131-849-0	1600	80	24.0	20.0	W/Bush
	No.2	1-51132-849-0	1610	80	26.0	19.6	
	No.3	1-51133-893-0	1600	80	26.0	17.8	
	No.4	1-51134-893-0	1600	80	20.0	14.9	W/Clip
1-51130-917-0	Assy		1600	80		67.0	
	No.1	1-51131-917-0	1600	80	19.0	17.6	W/Bush
	No.2	1-51132-917-0	1605	80	21.5	17.8	
	No.3	1-51133-917-0	1600	80	21.5	15.8	
	No.4	1-51134-917-0	1600	80	21.5	15.8	W/Clip
1-51130-929-0	Assy		1450	80		57.6	
	No.1	1-51131-929-0	1450	80	17.5	15.8	W/Bush
	No.2	1-51132-929-0	1455	80	20.5	15.8	
	No.3	1-51133-929-0	1460	80	20.5	14.0	
	No.4	1-51134-929-0	1460	80	16.0	12.0	W/Clip
1-51130-936-0	Assy		1600	80		69.5	
	No.1	1-51131-936-0	1600	80	21.0	18.7	W/Bush
	No.2	1-51132-936-0	1605	80	24.0	19.0	
	No.3	1-51133-936-0	1610	80	24.0	17.1	
	No.4	1-51134-936-0	1610	80	20.0	14.7	W/Clip



ASM Number	No. of Leaf	Leaf Number	Span	Width	Thickness	Weight	Add info
1-51130-940-0	Assy		1450	80		64.0	
	No.1	1-51131-966-0	1450	80	13.0	14.7	W/Bush
	No.2	1-51132-966-0	1455	80	15.0	15.8	
	No.3	1-51133-966-0	1230	80	15.0	10.9	W/Clip
	No.4	1-51134-966-0	1010	80	15.0	8.8	
	No.5	1-51135-966-0	790	80	15.0	6.8	W/Clip
	No.6	1-51136-966-0	570	80	15.0	4.7	
	No.7	1-51137-966-0	320	80	13.0	2.3	
1-51130-955-0	Assy		1200			24.5	
	No.1	1-51131-955-0	1200	70	10.0	8.0	W/Bush
	No.2	1-51132-955-0	1205	70	11.0	8.3	
	No.3	1-51133-955-0	820	70	10.0	4.2	W/Clip
	No.4	1-51134-955-0	560	70	10.0	2.8	
	No.5	1-51135-955-0	300	70	9.0	1.2	
8-97614-071-0	Assy		1600			88.4	
	No.1	8-97615-360-0	1600	80	14.0	17.2	W/Bush
	No.2	8-97615-361-0	1605	80	14.0	16.0	
	No.3	8-97615-362-0	1600	80	14.0	14.1	
	No.4	8-97615-363-0	1390	80	17.0	14.0	W/Clip
	No.5	8-97615-364-0	1120	80	17.0	11.2	
	No.6	8-97615-365-0	850	80	17.0	8.3	W/Clip
	No.7	8-97615-366-0	580	80	17.0	5.4	
	No.8	8-97615-367-0	280	80	14.0	2.2	
8-98063-479-1	Assy		1300	70		22.3	
	No.1	8-98081-990-0	1300	70	17.0	11.1	W/Bush
	No.2	8-98073-483-0	1305	70	18.5	11.2	W/Clip
8-98063-483-0	Assy		1300	70		29.9	
	No.1	8-98082-017-0	1300	70	16.5	10.1	W/Bush
	No.2	8-98073-498-0	1305	70	19.0	10.4	
	No.3	8-98073-499-0	1300	70	19.0	9.4	W/Clip
8-98063-484-0	Assy		1300	70		29.9	
	No.1	8-98082-018-0	1300	70	16.5	10.1	W/Bush
	No.2	8-98073-501-0	1305	70	19.0	10.4	
	No.3	8-98073-502-0	1300	70	19.0	9.4	W/Clip
8-98069-483-0	Assy		1600	80		54.9	
	No.1	8-98073-686-0	1600	80	21.0	18.5	W/Bush
	No.2	8-98073-687-0	1605	80	24.0	19.1	
	No.3	8-98073-688-0	1600	80	24.0	17.3	W/Clip



ASM Number	No. of Leaf	Leaf Number	Span	Width	Thickness	Weight	Add info
8-98080-779-0	Assy		1300	70		29.1	
	No.1	8-98081-660-0	1300	70	15.5	10.0	W/Bush
	No.2	8-98030-041-0	1305	70	17.5	10.1	
	No.3	8-98081-661-0	1300	70	17.5	9.0	W/Clip
8-98111-360-0	Assy		1300	70		29.1	
	No.1	8-98124-850-0	1300	70	15.5	10.0	W/Bush
	No.2	8-98124-851-0	1305	70	17.5	10.1	
	No.3	8-98124-852-0	1300	70	17.5	9.0	W/Clip
8-98159-653-0	Assy		1450	80		63.7	
	No.1	8-98165-027-0	1450	80	13.0	14.5	W/Bush
	No.2	8-98165-028-0	1455	80	15.0	15.7	
	No.3	1-51133-966-0	1230	80	15.0	10.9	W/Clip
	No.4	1-51134-966-0	1010	80	15.0	8.8	
	No.5	1-51135-966-0	790	80	15.0	6.8	W/Clip
	No.6	1-51136-966-0	570	80	15.0	4.7	
	No.7	1-51137-966-0	320	80	13.0	2.3	
8-98017-554-0	Assy		1300	70		35.2	
	No.1	8-98064-261-0	1300	70	12.0	10.3	W/Bush
	No.2	8-98064-262-0	1300	70	12.0	9.8	
	No.3	8-98064-263-0	940	70	12.0	5.9	W/Clip
	No.4	8-98064-264-0	730	70	12.0	4.5	
	No.5	8-98064-265-0	520	70	12.0	3.1	
	No.6	8-98064-266-0	310	70	12.0	1.6	
8-98229-528-1	Assy		1300	70		29.9	
	No.1	8-98232-171-0	1300	70	16.5	10.1	W/Bush
	No.2	8-98232-172-0	1305	70	19.0	10.4	
	No.3	8-98212-173-0	1300	70	19.0	9.4	W/Clip



ASM Number	No. of Leaf	Leaf Number	Span	Width	Thickness	Weight	Add info
1-51300-152-3	Assy		1298	70		65.4	
1-51310-132-1	MNo.1	1-51311-132-1	1298	70	11.0	9.4	W/Bush
	MNo.2	1-51312-132-1	1308	70	11.0	8.9	
	MNo.3	1-51313-132-1	1110	70	11.0	6.4	W/Clip
	MNo.4	1-51314-132-0	930	70	11.0	5.4	
	MNo.5	1-51315-132-1	760	70	11.0	4.3	W/Clip
	MNo.6	1-51316-132-0	590	70	11.0	3.3	
	MNo.7	1-51317-132-0	420	70	11.0	2.3	
	MNo.8	1-51318-132-0	250	70	11.0	1.5	
1-51340-132-0	HN0.1	1-51341-132-0	970	70	10.0	5.3	
	HN0.2	1-51342-132-0	890	70	10.0	4.9	
	HN0.3	1-51343-132-0	810	70	10.0	4.2	
	HN0.4	1-51344-132-0	670	70	10.0	3.5	
	HN0.5	1-51345-132-0	530	70	10.0	2.7	W/Clip
	HN0.6	1-51346-132-0	390	70	10.0	1.9	
	HN0.7	1-51347-132-0	250	70	10.0	1.4	
1-51300-165-4	Assy		1635	100		127.5	
1-51310-449-2	MNo.1	1-51311-449-0	1635	100	13.0	18.3	W/Bush
	MNo.2	1-51312-449-0	1635	100	13.0	18.7	
	MNo.3	1-51313-449-0	1650	100	13.0	16.8	
	MNo.4	1-51314-449-1	1080	100	14.0	11.3	W/Clip
	MNo.5	1-51315-449-0	840	100	14.0	8.7	
	MNo.6	1-51316-44-0	600	100	14.0	6.0	
	MNo.7	1-51317-449-1	360	100	14.0	4.0	
1-51340-337-2	HN0.1	1-51341-337-0	1160	100	11.0	10.0	
	HN0.2	1-51342-337-0	1020	100	11.0	8.8	
	HN0.3	1-51343-337-1	790	100	12.0	7.4	
	HN0.4	1-51344-337-2	660	100	12.0	6.2	W/Clip
	HN0.5	1-51345-337-1	530	100	12.0	5.0	
	HN0.6	1-51346-337-1	400	100	12.0	3.8	
	HN0.7	1-51347-337-0	270	100	12.0	2.5	



ASM Number	No. of Leaf	Leaf Number	Span	Width	Thickness	Weight	Add info
1-51300-236-0	Assy		1640	100		114.9	
1-51310-507-0	MNo.1	1-51311-507-0	1640	100	12.0	16.9	W/Bush
	MNo.2	1-51312-507-0	1640	100	12.0	17.3	
	MNo.3	1-51313-507-0	1310	100	12.0	11.9	
	MNo.4	1-51314-507-0	1110	100	12.0	10.0	
	MNo.5	1-51315-507-0	910	100	12.0	8.1	W/Clip
	MNo.6	1-51316-507-0	710	100	12.0	6.2	
	MNo.7	1-51317-507-0	510	100	12.0	4.4	
	MNo.8	1-51318-507-0	310	100	12.0	2.9	
1-51340-362-0	HNo.1	1-51341-362-0	1120	100	10.0	8.8	
	HNo.2	1-51342-362-0	1000	100	10.0	7.9	
	HNo.3	1-51343-362-0	920	100	11.0	7.6	
	HNo.4	1-51344-362-0	720	100	11.0	5.9	W/Clip
	HNo.5	1-51345-362-0	520	100	11.0	4.2	
	HNo.6	1-51346-362-0	320	100	11.0	2.8	
1-51300-261-0	Assy		1635	100		126.3	
1-51310-794-0	MNo.1	1-51311-794-0	1635	100	13.0	18.3	W/Bush
	MNo.2	1-51312-794-0	1635	100	16.0	18.7	
	MNo.3	1-51313-794-0	1300	100	16.0	15.5	
	MNo.4	1-51314-794-0	1040	100	16.0	12.3	W/Clip
	MNo.5	1-51315-794-0	780	100	16.0	9.0	
	MNo.6	1-51316-794-0	520	100	14.0	5.3	
1-51340-384-0	HNo.1	1-51341-384-0	1160	100	12.0	10.9	
	HNo.2	1-51342-384-0	1020	100	13.0	10.4	
	HNo.3	1-51343-384-0	820	100	13.0	8.0	
	HNo.4	1-51344-384-0	680	100	13.0	6.6	W/Clip
	HNo.5	1-51345-384-0	540	100	13.0	5.2	
	HNo.6	1-51346-384-0	400	100	13.0	3.7	
	HNo.7	1-51347-384-0	260	100	13.0	2.4	



ASM Number	No. of Leaf	Leaf Number	Span	Width	Thickness	Weight	Add info
1-51300-267-0	Assy		1575	100		112.0	
1-51310-568-0	MNo.1	1-51311-568-0	1575	100	13.0	17.7	W/Bush
	MNo.2	1-51312-568-0	1575	100	13.0	18.1	
	MNo.3	1-51313-568-0	1200	100	16.0	14.1	
	MNo.4	1-51314-568-0	940	100	16.0	10.9	W/Clip
	MNo.5	1-51315-568-0	680	100	16.0	7.6	
	MNo.6	1-51316-568-0	420	100	13.0	3.8	
1-51340-389-0	HNo.1	1-51341-389-0	1160	100	12.0	10.9	
	HNo.2	1-51342-389-0	1020	100	12.0	9.6	
	HNo.3	1-51343-389-0	780	100	13.0	7.5	W/Clip
	HNo.4	1-51344-389-0	600	100	13.0	5.7	
	HNo.5	1-51345-389-0	420	100	13.0	3.8	
	HNo.6	1-51346-389-0	240	100	12.0	2.3	
1-51300-329-1	Assy		1298	70		66.0	
1-51310-713-1	MNo.1	1-51311-713-0	1298	70	11.0	9.4	W/Bush
	MNo.2	1-51312-713-0	1298	70	11.0	8.9	
	MNo.3	1-51313-713-1	1170	70	11.0	6.8	W/Clip
	MNo.4	1-51314-713-1	960	70	11.0	5.5	
	MNo.5	1-51315-713-0	760	70	11.0	4.3	W/Clip
	MNo.6	1-51316-713-0	590	70	11.0	3.3	
	MNo.7	1-51317-713-0	420	70	11.0	2.3	
	MNo.8	1-51318-713-0	250	70	11.0	1.5	
1-51340-413-0	HNo.1	1-51341-413-0	986	70	10.0	5.4	
	HNo.2	1-51342-413-0	890	70	10.0	4.9	
	HNo.3	1-51343-413-0	810	70	10.0	4.2	
	HNo.4	1-51344-413-0	670	70	10.0	3.5	W/Clip
	HNo.5	1-51345-413-0	530	70	10.0	2.7	
	HNo.6	1-51346-413-0	390	70	10.0	1.9	
	HNo.7	1-51347-413-0	250	70	10.0	1.4	



ASM Number	No. of Leaf	Leaf Number	Span	Width	Thickness	Weight	Add info
1-51300-322-0	Assy		1298	70		72.1	
1-51310-715-0	MNo.1	1-51311-715-0	1298	70	12.0	10.3	W/Bush
	MNo.2	1-51312-715-0	1298	70	12.0	9.7	
	MNo.3	1-51313-686-0	1090	70	12.0	6.8	W/Clip
	MNo.4	1-51314-686-0	920	70	12.0	5.7	
	MNo.5	1-51315-686-0	750	70	12.0	4.6	W/Clip
	MNo.6	1-51316-686-0	580	70	12.0	3.5	
	MNo.7	1-51317-686-0	410	70	12.0	2.3	
	MNo.8	1-51318-686-0	240	70	12.0	1.6	
1-51340-432-0	HN0.1	1-51341-432-0	970	70	11.0	5.0	
	HN0.2	1-51342-432-0	890	70	11.0	5.4	
	HN0.3	1-51343-432-0	890	70	12.0	5.9	
	HN0.4	1-51344-432-0	700	70	12.0	4.3	
	HN0.5	1-51345-432-0	540	70	12.0	3.3	W/Clip
	HN0.6	1-51346-432-0	380	70	12.0	2.2	
	HN0.7	1-51347-432-0	220	70	12.0	1.5	
1-51300-333-0	Assy		1420	80		85.4	
1-51310-716-0	MNo.1	1-51311-716-0	1420	80	12.0	12.9	W/Bush
	MNo.2	1-51312-716-0	1420	80	13.0	13.1	
	MNo.3	1-51313-716-0	1160	80	13.0	9.0	
	MNo.4	1-51314-716-0	920	80	13.0	7.1	W/Clip
	MNo.5	1-51315-716-0	680	80	13.0	5.1	
	MNo.6	1-51316-716-0	440	80	13.0	3.1	
	MNo.7	1-51317-716-0	240	80	13.0	2.0	
1-51340-444-0	HN0.1	1-51341-444-0	1120	80	13.0	9.1	
	HN0.2	1-51342-444-0	1040	80	13.0	8.4	
	HN0.3	1-51343-444-0	770	80	13.0	6.0	W/Clip
	HN0.4	1-51344-444-0	590	80	13.0	4.5	
	HN0.5	1-51345-444-0	410	80	12.0	3.1	
	HN0.6	1-51346-444-0	270	80	13.0	2.0	



ASM Number	No. of Leaf	Leaf Number	Span	Width	Thickness	Weight	Add info
1-51300-334-3	Assy			80		92.5	
1-51310-717-0	MNo.1	1-51311-717-0	1420	80	13.0	14.0	W/Bush
	MNo.2	1-51312-717-2	1420	80	13.0	13.2	
	MNo.3	1-51313-717-0	1190	80	14.0	9.9	
	MNo.4	1-51314-717-0	960	80	14.0	7.9	W/Clip
	MNo.5	1-51315-717-0	730	80	14.0	5.9	
	MNo.6	1-51316-717-0	500	80	14.0	3.8	
	MNo.7	1-51317-717-0	270	80	13.0	2.2	
1-51340-445-0	HNo.1	1-51341-445-0	1120	80	13.0	9.1	
	HNo.2	1-51342-445-0	1040	80	13.0	8.5	
	HNo.3	1-51343-445-0	820	80	14.0	6.8	W/Clip
	HNo.4	1-51344-445-0	640	80	14.0	5.2	
	HNo.5	1-51345-445-0	460	80	14.0	3.6	
	HNo.6	1-51346-445-0	300	80	13.0	2.4	
1-51300-352-0	Assy		1640	100		114.7	
1-51310-721-0	MNo.1	1-51311-721-0	1640	100	12.0	16.9	W/Bush
	MNo.2	1-51312-721-0	1640	100	12.0	17.3	
	MNo.3	1-51313-721-0	1290	100	12.0	11.7	
	MNo.4	1-51314-721-0	1110	100	12.0	10.0	
	MNo.5	1-51315-721-0	910	100	12.0	8.1	W/Clip
	MNo.6	1-51316-721-0	710	100	12.0	6.2	
	MNo.7	1-51317-721-0	510	100	12.0	4.4	
	MNo.8	1-51318-721-0	310	100	12.0	2.9	
1-51340-450-0	HNo.1	1-51341-450-0	1120	100	10.0	8.8	
	HNo.2	1-51342-450-0	1000	100	10.0	7.9	
	HNo.3	1-51343-450-0	920	100	11.0	7.6	
	HNo.4	1-51344-450-0	720	100	11.0	5.9	W/Clip
	HNo.5	1-51345-450-0	520	100	11.0	4.2	
	HNo.6	1-51346-450-0	320	100	11.0	2.8	



ASM Number	No. of Leaf	Leaf Number	Span	Width	Thickness	Weight	Add info
1-51300-358-2	Assy		1420	80		100.8	
1-51310-802-1	MNo.1	1-51311-802-0	1420	80	12.0	12.9	W/Bush
	MNo.2	1-51312-802-0	1425	80	13.0	13.1	
	MNo.3	1-51313-802-0	1160	80	13.0	9.0	
	MNo.4	1-51314-820-0	920	80	13.0	7.1	W/Clip
	MNo.5	1-51315-802-0	680	80	13.0	5.1	
	MNo.6	1-51316-802-0	440	80	13.0	3.1	
	MNo.7	1-51317-802-0	240	80	13.0	2.0	
1-51340-487-0	HNo.1	1-51341-487-0	1120	80	12.0	8.4	
	HNo.2	1-51342-487-0	1120	80	12.0	8.4	
	HNo.3	1-51343-487-0	900	80	12.0	6.8	
	HNo.4	1-51344-487-0	800	80	12.0	6.0	W/Clip
	HNo.5	1-51345-487-0	700	80	12.0	5.3	
	HNo.6	1-51346-487-0	600	80	12.0	4.5	
	HNo.7	1-51347-487-0	500	80	12.0	3.8	
	HNo.8	1-51348-487-0	400	80	12.0	3.0	
	HNo.9	1-51349-487-0	300	80	12.0	2.3	
1-51300-362-1	Assy		1298	70		66.5	
1-51310-713-1	MNo.1	1-51311-713-0	1298	70	11.0	9.4	W/Bush
	MNo.2	1-51312-713-0	1298	70	11.0	8.9	
	MNo.3	1-51313-713-0	1170	70	11.0	6.8	W/Clip
	MNo.4	1-51314-713-0	960	70	11.0	5.5	
	MNo.5	1-51315-713-0	760	70	11.0	4.3	W/Clip
	MNo.6	1-51316-713-0	590	70	11.0	3.3	
	MNo.7	1-51317-713-0	420	70	11.0	2.3	
	MNo.8	1-51318-713-0	250	70	11.0	1.5	
1-51340-457-0	HNo.1	1-51341-457-0	986	70	10.0	5.4	
	HNo.2	1-51342-457-0	890	70	10.0	4.9	
	HNo.3	1-51343-457-0	780	70	11.0	4.5	
	HNo.4	1-51344-457-0	640	70	11.0	3.6	W/Clip
	HNo.5	1-51345-457-0	500	70	11.0	2.8	
	HNo.6	1-51346-457-0	360	70	11.0	2.0	
	HNo.7	1-51347-457-0	240	70	10.0	1.3	



ASM Number	No. of Leaf	Leaf Number	Span	Width	Thickness	Weight	Add info
1-51300-364-0	Assy		1298	70		69.6	
1-51310-763-0	MNo.1	1-51311-763-0	1298	70	11.0	9.4	W/Bush
	MNo.2	1-51312-763-0	1298	70	11.0	8.9	
	MNo.3	1-51313-763-0	1120	70	12.0	7.1	W/Clip
	MNo.4	1-51314-763-0	940	70	12.0	5.9	
	MNo.5	1-51315-763-0	760	70	12.0	4.7	W/Clip
	MNo.6	1-51316-763-0	580	70	12.0	3.5	
	MNo.7	1-51317-763-0	400	70	12.0	2.3	
	MNo.8	1-51318-763-0	240	70	11.0	1.5	
1-51340-459-0	HN0.1	1-51341-459-0	986	70	11.0	6.0	
	HN0.2	1-51342-459-0	890	70	11.0	5.4	
	HN0.3	1-51343-459-0	800	70	11.0	4.6	
	HN0.4	1-51344-459-0	660	70	11.0	3.8	W/Clip
	HN0.5	1-51345-459-0	520	70	11.0	2.9	
	HN0.6	1-51346-459-0	380	70	11.0	2.1	
	HN0.7	1-51347-459-0	240	70	11.0	1.5	
1-51300-366-0	Assy		1310	70		66.2	
1-51310-766-0	MNo.1	1-51311-766-0	1310	70	11.0	9.5	W/Bush
	MNo.2	1-51312-766-0	1310	70	12.0	9.8	
	MNo.3	1-51313-766-0	1100	70	12.0	6.8	
	MNo.4	1-51314-766-0	880	70	12.0	5.4	W/Clip
	MNo.5	1-51315-766-0	660	70	12.0	3.9	
	MNo.6	1-51316-766-0	440	70	11.0	2.4	
	MNo.7	1-51317-766-0	260	70	11.0	1.6	
1-51340-461-0	HN0.1	1-51341-461-0	970	70	10.0	5.3	
	HN0.2	1-51342-461-0	890	70	10.0	4.9	
	HN0.3	1-51343-461-0	890	70	11.0	5.4	
	HN0.4	1-51344-461-0	680	70	11.0	4.1	W/Clip
	HN0.5	1-51345-461-0	540	70	11.0	3.3	
	HN0.6	1-51346-461-0	400	70	11.0	2.4	
	HN0.7	1-51347-461-0	260	70	10.0	1.4	



ASM Number	No. of Leaf	Leaf Number	Span	Width	Thickness	Weight	Add info
1-51300-483-2	Assy		1260	70/60		50.7	
1-51310-997-0	MNo.1	1-51311-997-0	1260	70	11.0	9.3	W/Bush
	MNo.2	1-51312-997-0	1260	70	11.0	9.5	
	MNo.3	1-51313-997-0	1020	70	13.0	6.9	W/Clip
	MNo.4	1-51314-997-0	750	70	13.0	4.9	
	MNo.5	1-51315-997-0	480	70	13.0	3.0	
	MNo.6	1-51316-997-0	210	70	11.0	1.3	
1-51340-578-0	HNo.1	1-51341-578-0	970	60	11.0	5.0	
	HNo.2	1-51342-578-0	880	60	12.0	5.0	
	HNo.3	1-51343-578-0	560	60	11.0	2.7	W/Clip
	HNo.4	1-51344-578-0	400	60	11.0	1.9	
	HNo.5	1-51345-578-0	240	60	11.0	1.2	
1-51300-508-1	Assy		1298	70		72.7	
1-51410-049-0	MNo.1	1-51411-049-0	1298	70	12.0	10.3	W/Bush
	MNo.2	1-51412-049-0	1298	70	12.0	9.7	
	MNo.3	1-51413-049-0	1090	70	12.0	6.8	W/Clip
	MNo.4	1-51414-049-0	920	70	12.0	5.7	
	MNo.5	1-51415-049-0	750	70	12.0	4.5	
	MNo.6	1-51416-049-0	580	70	12.0	3.4	
	MNo.7	1-51417-049-0	410	70	12.0	2.3	
	MNo.8	1-51418--049-0	240	70	12.0	1.6	
1-51340-602-0	HNo.1	1-51341-602-0	970	70	11.0	5.9	
	HNo.2	1-51342-602-0	890	70	11.0	5.4	
	HNo.3	1-51343-602-0	890	70	12.0	5.9	
	HNo.4	1-51344-602-0	700	70	12.0	4.3	
	HNo.5	1-51345-602-0	540	70	12.0	3.2	W/Clip
	HNo.6	1-51346-602-0	380	70	12.0	2.2	
	HNo.7	1-51347-602-0	220	70	12.0	1.5	



ASM Number	No. of Leaf	Leaf Number	Span	Width	Thickness	Weight	Add info
1-51300-522-0	Assy		1420	100		128.0	
1-51410-094-0	MNo.1	1-51411-094-0	1655	100	13.0	18.5	W/Bush
	MNo.2	1-51412-094-0	1655	100	13.0	19.0	
	MNo.3	1-51413-094-0	1670	100	13.0	17.0	
	MNo.4	1-51414-094-0	1030	100	14.0	11.3	W/Clip
	MNo.5	1-51415-094-0	840	100	14.0	8.7	
	MNo.6	1-51416-094-0	600	100	14.0	6.0	
	MNo.7	1-51417-094-0	360	100	14.0	4.0	
1-51340-612-0	HNo.1	1-51341-612-0	1140	100	11.0	9.8	
	HNo.2	1-51342-612-0	1020	100	11.0	8.8	
	HNo.3	1-51343-612-0	790	100	12.0	7.4	
	HNo.4	1-51344-612-0	660	100	12.0	6.2	W/Clip
	HNo.5	1-51345-612-0	530	100	12.0	5.0	
	HNo.6	1-51346-612-0	400	100	12.0	3.8	
	HNo.7	1-51347-612-0	270	100	12.0	2.5	
1-51300-524-1	Assy		1298	70			
1-51310-715-0	MNo.1	1-51311-715-0	1298	70	12.0	10.3	W/Bush
	MNo.2	1-51312-715-0	1298	70	12.0	9.7	
	MNo.3	1-51313-715-0	1090	70	12.0	6.8	W/Clip
	MNo.4	1-51314-715-0	920	70	12.0	5.7	
	MNo.5	1-51315-715-0	750	70	12.0	4.6	W/Clip
	MNo.6	1-51316-715-0	580	70	12.0	3.5	
	MNo.7	1-51317-715-0	410	70	12.0	2.3	
1-51340-431-0	HNo.1	1-51341-431-0	240	70	12.0	1.6	
	HNo.2	1-51342-431-0	970	70	11.0	5.9	
	HNo.3	1-51343-431-0	890	70	12.0	5.9	
	HNo.4	1-51344-431-0	700	70	12.0	4.3	W/Clip
	HNo.5	1-51345-431-0	540	70	12.0	3.3	
	HNo.6	1-51346-431-0	380	70	12.0	2.2	
	HNo.7	1-51347-431-0	220	70	12.0	1.5	



ASM Number	No. of Leaf	Leaf Number	Span	Width	Thickness	Weight	Add info
1-51300-535-2	Assy		1383	70/60		58.6	
1-51410-118-0	MNo.1	1-51411-118-0	1383	70	10.0	8.3	W/Bush
	MNo.2	1-51412-118-0	1383	70	10.0	8.5	
	MNo.3	1-51413-118-0	1110	70	13.0	7.5	W/Clip
	MNo.4	1-51414-118-0	890	70	13.0	5.9	W/Clip
	MNo.5	1-51415-118-0	650	70	13.0	4.2	
	MNo.6	1-51416-118-0	410	70	10.0	2.3	
	MNo.7	1-51417-118-0	270	70	10.0	1.5	
1-51340-625-0	HNo.1	1-51341-625-0	970	60	11.0	5.0	
	HNo.2	1-51342-625-0	900	60	12.0	5.1	
	HNo.3	1-51343-625-0	880	60	10.0	4.1	
	HNo.4	1-51344-625-0	580	60	12.0	3.1	W/Clip
	HNo.5	1-51345-625-0	410	60	11.0	1.9	
	HNo.6	1-51346-625-0	240	60	11.0	1.2	
1-51300-541-0	Assy		1384	70/60			
1-51410-124-0	MNo.1	1-51411-124-0	1384	70	11.0	9.1	W/Bush
	MNo.2	1-51412-124-0	1384	70	13.0	11.2	
	MNo.3	1-51413-124-0	880	70	14.0	6.0	W/Clip
	MNo.4	1-51414-124-0	360	70	11.0	1.9	
1-51340-631-0	HNo.1	1-51341-631-0	970	60	11.0	5.0	
	HNo.2	1-51342-631-0	950	60	12.0	5.4	
	HNo.3	1-51343-631-0	580	60	12.0	3.1	W/Clip
	HNo.4	1-51344-631-0	410	60	11.0	1.9	
	HNo.5	1-51345-631-0	260	60	11.0	1.3	
1-51300-593-0	Assy		1585	100		95.7	
1-51410-213-0	MNo.1	1-51411-213-0	1585	100	14.0	19.2	W/Bush
	MNo.2	1-51412-213-0	1585	100	16.0	22.6	
	MNo.3	1-51413-213-0	1130	100	16.0	13.0	W/Clip
	MNo.4	1-51414-213-0	810	100	16.0	9.0	
	MNo.5	1-51415-213-0	450	100	16.0	5.0	
1-51340-660-0	HNo.1	1-51341-660-0	1120	100	9.0	7.9	
	HNo.2	1-51342-660-0	1000	100	9.0	7.1	
	HNo.3	1-51343-660-0	780	100	9.0	5.2	W/Clip
	HNo.4	1-51344-660-0	600	100	9.0	4.0	
	HNo.5	1-51345-660-0	420	100	9.0	2.7	



ASM Number	No. of Leaf	Leaf Number	Span	Width	Thickness	Weight	Add info
1-51300-617-0	Assy		1585	100		96.0	
1-51410-262-0	MNo.1	1-51411-262-0	1585	100	14.0	19.4	W/Bush
	MNo.2	1-51412-262-0	1585	100	16.0	22.7	
	MNo.3	1-51413-262-0	1130	100	16.0	13.0	W/Clip
	MNo.4	1-51414-262-0	810	100	16.0	9.0	
	MNo.5	1-51415-262-0	450	100	16.0	5.0	
1-51340-672-0	HNo.1	1-51341-672-0	1120	100	9.0	7.9	
	HNo.2	1-51342-672-0	1000	100	9.0	7.1	
	HNo.3	1-51343-672-0	780	100	9.0	5.2	W/Clip
	HNo.4	1-51344-672-0	600	100	9.0	4.0	
	HNo.5	1-51345-672-0	400	100	9.0	2.7	
1-51300-631-0	Assy		1383	70			
1-51410-207-0	MNo.1	1-51411-207-0	1383	70	11.0	9.1	W/Bush
	MNo.2	1-51412-207-0	1358	70	12.0	10.3	
	MNo.3	1-51413-207-0	990	70	12.0	6.1	W/Clip
	MNo.4	1-51414-207-0	750	70	12.0	4.5	
	MNo.5	1-51415-207-0	510	70	12.0	2.9	
	MNo.6	1-51416-207-0	270	70	11.0	1.6	
1-51340-680-0	HNo.1	1-51341-680-0	970	70	18.0	6.9	
	HNo.2	1-51342-680-0	970	70	18.0	6.9	W/Clip
1-51300-632-0	Assy		1384	70		41.6	
1-51410-124-0	MNo.1	1-51411-124-0	1384	70	11.0	9.1	W/Bush
	MNo.2	1-51412-124-0	1384	70	13.0	11.2	
	MNo.3	1-51413-124-0	880	70	14.0	6.0	W/Clip
	MNo.4	1-51414-124-0	360	70	11.0	1.9	
1-51340-681-0	HNo.1	1-51341-681-0	970	70	17.0	6.7	
	HNo.2	1-51342-681-0	970	70	17.0	6.7	W/Clip
1-51310-018-2	Assy		1500			127.1	
	No.1	1-51311-018-0	1500	90	20.0	21.2	
	No.2	1-51312-018-0	1500	90	20.0	21.2	
	No.3	1-51313-018-0	1130	90	20.0	16.0	
	No.4	1-51314-018-0	1050	90	20.0	14.8	
	No.5	1-51315-018-0	930	90	20.0	13.1	
	No.6	1-51316-018-0	810	90	20.0	11.4	W/Clip
	No.7	1-51317-018-0	690	90	20.0	9.7	
	No.8	1-51318-018-0	570	90	20.0	8.1	
	No.9	1-51319-018-0	460	90	20.0	6.5	
	No.10	1-51321-018-0	360	90	20.0	5.1	



ASM Number	No. of Leaf	Leaf Number	Span	Width	Thickness	Weight	Add info
1-51310-443-4	Assy		1500	90		111.8	
1-51310-345-0	No.1	1-51311-345-0	1500	90	22.0	23.3	
	No.2	1-51312-345-0	1500	90	22.0	23.3	
	No.3	1-51313-345-0	1120	90	20.0	15.8	
	No.4	1-51314-345-0	980	90	20.0	13.8	
	No.5	1-51315-443-3	840	90	20.0	11.9	W/Bush
	No.6	1-51316-345-0	700	90	20.0	9.9	
	No.7	1-51317-345-0	560	90	20.0	7.9	
	No.8	1-51318-345-0	420	90	20.0	5.9	
1-51310-449-2	Assy		1635	100		83.8	
	MNo.1	1-51311-449-0	1635	100	13.0	18.3	W/Bush
	MNo.2	1-51312-449-0	1635	100	13.0	18.7	
	MNo.3	1-51313-449-0	1650	100	13.0	16.8	
	MNo.4	1-51314-449-1	1080	100	14.0	11.3	W/Clip
	MNo.5	1-51315-449-0	840	100	14.0	8.7	
	MNo.6	1-51316-449-0	600	100	14.0	6.0	
	MNo.7	1-51317-449-1	360	100	14.0	4.0	
1-51310-453-1	Assy		1500	90		119.9	
	No.1	1-51311-453-0	1500	90	20.0	21.2	
	No.2	1-51312-453-0	1500	90	20.0	21.2	
	No.3	1-51313-453-0	1130	90	20.0	16.0	
	No.4	1-51314-453-0	1020	90	22.0	15.9	
	No.5	1-51315-453-1	880	90	22.0	13.7	W/Clip
	No.6	1-51316-453-0	740	90	22.0	11.5	
	No.7	1-51317-453-0	600	90	20.0	8.5	
	No.8	1-51318-453-0	480	90	20.0	6.8	
	No.9	1-51319-453-0	360	90	20.0	5.1	
1-51310-467-4	Assy		1505	90		107.1	
1-51310-467-2	No.1	1-51311-467-0	1505	90	13.0	13.8	
	No.2	1-51312-467-0	1525	90	13.0	14.0	
	No.3	1-51313-467-0	1455	90	13.0	13.4	
	No.4	1-51314-467-0	1220	90	14.0	12.1	
	No.5	1-51315-467-0	1140	90	14.0	11.3	
	No.6	1-51316-467-2	1050	90	14.0	10.4	W/Clip
	No.7	1-51317-467-0	960	90	14.0	9.5	
	No.8	1-51318-467-0	870	90	13.0	8.0	
	No.9	1-51319-467-0	800	90	13.0	7.3	
	No.10	1-51321-467-0	800	90	13.0	7.3	



ASM Number	No. of Leaf	Leaf Number	Span	Width	Thickness	Weight	Add info
1-51310-493-1	Assy		1500	90			
	No.1	1-51311-493-0	1500	90	13.0	13.8	
	No.2	1-51312-493-0	1500	90	13.0	13.8	
	No.3	1-51313-493-0	1400	90	13.0	12.9	
	No.4	1-51314-493-0	1400	90	13.0	12.9	
	No.5	1-51315-493-0	1200	90	13.0	11.0	
	No.6	1-51316-493-0	1130	90	14.0	11.2	
	No.7	1-51317-493-1	1065	90	14.0	10.5	W/Clip
	No.8	1-51318-493-0	990	90	14.0	9.8	
	No.9	1-51319-493-0	920	90	14.0	9.1	
	No.10	1-51321-493-0	850	90	14.0	8.4	
	No.11	1-51322-493-0	780	90	14.0	7.7	
1-51310-512-0	Assy		1660	100		92.4	
	No.1	1-51311-512-0	1660	100	11.0	17.0	W/Bush
	No.2	1-51312-512-0	1660	100	11.0	16.6	
	No.3	1-51313-512-0	1610	100	16.0	19.3	
	No.4	1-51314-512-0	1300	100	16.0	15.4	W/Clip
	No.5	1-51315-512-0	995	100	16.0	11.6	
	No.6	1-51316-512-0	715	100	16.0	8.0	W/Clip
	No.7	1-51317-512-0	435	100	16.0	4.5	
1-51310-613-1	Assy		1500	90		100.2	
	No.1	1-51311-613-0	1500	90	13.0	13.8	
	No.2	1-51312-613-0	1520	90	13.0	14.0	
	No.3	1-51313-613-0	1400	90	14.0	13.8	
	No.4	1-51314-613-0	1180	90	15.0	12.5	
	No.5	1-51315-613-0	1080	90	15.0	11.4	
	No.6	1-51316-613-0	980	90	15.0	10.4	W/Clip
	No.7	1-51317-613-0	880	90	15.0	9.3	
	No.8	1-51318-613-0	780	90	14.0	7.7	
	No.9	1-51319-613-1	740	90	14.0	7.3	



ASM Number	No. of Leaf	Leaf Number	Span	Width	Thickness	Weight	Add info
1-51310-669-0	Assy		1350	70		52.3	
1-51310-669-1	No.1	1-51311-669-0	1350	70	11.0	9.7	W/Bush
	No.2	1-51312-669-0	1350	70	11.0	9.5	
	No.3	1-51313-669-0	1200	70	12.0	7.6	
	No.4	1-51314-669-0	1050	70	12.0	6.7	W/Clip
	No.5	1-51315-669-0	900	70	12.0	5.7	W/Clip
	No.6	1-51316-669-0	750	70	12.0	4.7	
	No.7	1-51317-669-0	600	70	12.0	3.7	
	No.8	1-51318-669-0	450	70	12.0	2.7	
	No.9	1-51319-669-0	300	70	12.0	2.0	
1-51310-876-1	Assy		1505	90		98.0	
	No.1	1-51311-876-1	1505	90	13.0	13.8	
	No.2	1-51312-876-1	1525	90	13.0	14.0	
	No.3	1-51313-876-1	1455	90	14.0	14.4	
	No.4	1-51314-876-0	1180	90	14.0	11.7	
	No.5	1-51315-876-0	1080	90	14.0	10.7	
	No.6	1-51316-876-0	980	90	14.0	9.7	W/Clip
	No.7	1-51317-876-0	880	90	14.0	8.7	
	No.8	1-51318-876-0	780	90	14.0	7.7	
	No.9	1-51319-876-0	740	90	14.0	7.3	
1-51310-880-0	Assy		1500	90		105.8	
	No.1	1-51311-880-0	1500	90	20.0	21.2	
	No.2	1-51312-880-0	1500	90	20.0	21.2	
	No.3	1-51313-880-0	1120	90	20.0	15.8	
	No.4	1-51314-880-0	970	90	20.0	13.7	
	No.5	1-51315-880-0	820	90	20.0	11.6	W/Clip
	No.6	1-51316-880-0	670	90	20.0	9.5	
	No.7	1-51317-880-0	520	90	20.0	7.3	
	No.8	1-51318-880-0	390	90	20.0	5.5	



ASM Number	No. of Leaf	Leaf Number	Span	Width	Thickness	Weight	Add info
1-51410-055-1	Assy		1500	90		120.3	
1-51410-055-0	No.1	1-51411-055-0	1500	90	20.0	21.2	
	No.2	1-51412-055-0	1530	90	20.0	21.6	
	No.3	1-51413-055-0	1130	90	20.0	16.0	
	No.4	1-51414-055-0	1020	90	22.0	15.9	
	No.5	1-51415-055-0	880	90	22.0	13.7	W/Clip
	No.6	1-51416-055-0	740	90	22.0	11.5	
	No.7	1-51417-055-0	600	90	20.0	8.5	
	No.8	1-51418-055-0	480	90	20.0	6.8	
	No.9	1-51419-055-0	360	90	20.0	5.1	
1-51410-056-0	Assy		1560	90		118.8	
1-51410-056-1	No.1	1-51411-056-0	1560	90	20.0	22.0	
	No.2	1-51412-056-0	1560	90	20.0	22.0	
	No.3	1-51413-056-0	1130	90	20.0	16.0	
	No.4	1-51414-056-0	1005	90	20.0	14.2	
	No.5	1-51415-056-0	880	90	20.0	12.4	W/Clip
	No.6	1-51416-056-0	755	90	20.0	10.7	
	No.7	1-51417-056-0	630	90	20.0	8.9	
	No.8	1-51418-056-0	505	90	20.0	7.1	
	No.9	1-51419-056-0	390	90	20.0	5.5	
1-51410-080-0	Assy		1500	90		115.9	
	No.1	1-51411-080-0	1500	90	20.0	21.2	
	No.2	1-51412-080-0	1530	90	20.0	21.6	
	No.3	1-51413-080-0	1130	90	20.0	16.0	
	No.4	1-51414-080-0	1000	90	20.0	14.1	
	No.5	1-51415-080-0	870	90	20.0	12.3	W/Clip
	No.6	1-51416-080-0	730	90	20.0	10.3	
	No.7	1-51417-080-0	600	90	20.0	8.5	
	No.8	1-51418-080-0	480	90	20.0	6.8	
	No.9	1-51419-080-0	360	90	20.0	5.1	



ASM Number	No. of Leaf	Leaf Number	Span	Width	Thickness	Weight	Add info
1-51410-084-0	Assy		1500	90		134.9	
1-51410-084-1	No.1	1-51411-084-0	1500	90	18.0	19.1	
	No.2	1-51412-084-0	1500	90	20.0	21.2	
	No.3	1-51413-084-0	1160	90	20.0	16.4	
	No.4	1-51414-084-0	1060	90	20.0	15.0	
	No.5	1-51415-084-0	960	90	20.0	13.6	
	No.6	1-51416-084-0	860	90	20.0	12.2	
	No.7	1-51417-084-0	780	90	20.0	11.0	
	No.8	1-51418-084-0	710	90	22.0	11.0	W/Clip
	No.9	1-51419-084-0	580	90	22.0	9.0	
	No.10	1-51421-084-0	450	90	20.0	6.4	
1-51410-143-0	Assy		1330	80			
	No.1	1-51411-143-0	1330	80	16.0	13.4	
	No.2	1-51412-143-0	1330	80	16.0	13.4	
	No.3	1-51413-143-0	1330	80	16.0	13.4	
	No.4	1-51414-143-0	950	80	16.0	9.5	
	No.5	1-51415-143-0	840	80	16.0	8.4	
	No.6	1-51416-143-0	730	80	16.0	7.3	W/Clip
	No.7	1-51417-143-0	620	80	16.0	6.2	
	No.8	1-51418-143-0	510	80	16.0	5.1	
	No.9	1-51419-143-0	410	80	16.0	4.1	
	No.10	1-51421-143-0	310	80	16.0	3.1	
1-51410-285-2	Assy		1300	90		123.5	
	No.1	1-51411-285-0	1300	90	33.5	25.5	
	No.2	1-51412-285-0	1300	90	33.5	24.1	
	No.3	1-51413-285-0	1300	90	33.5	26.3	
	No.4	1-51414-285-0	900	90	33.5	19.6	
	No.5	1-51415-285-0	900	90	23.0	14.0	
	No.6	1-51416-285-0	900	90	23.0	14.0	W/Clip



ASM Number	No. of Leaf	Leaf Number	Span	Width	Thickness	Weight	Add info
1-51410-294-0	Assy		1500	90		120.3	
	No.1	1-51411-294-0	1500	90	20.0	21.2	
	No.2	1-51412-294-0	1500	90	20.0	21.6	
	No.3	1-51413-294-0	1130	90	20.0	16.0	
	No.4	1-51414-294-0	1020	90	22.0	15.9	
	No.5	1-51415-294-0	880	90	22.0	13.7	W/Clip
	No.6	1-51416-294-0	740	90	22.0	11.5	
	No.7	1-51417-294-0	600	90	20.0	8.5	
	No.8	1-51418-294-0	480	90	20.0	6.8	
	No.9	1-51419-294-0	360	90	20.0	5.1	
1-51410-296-0	Assy		1500	90		120.0	
	No.1	1-51411-296-0	1500	90	18.0	19.1	
	No.2	1-51412-296-0	1500	90	18.0	19.1	
	No.3	1-51413-296-0	1140	90	20.0	16.1	
	No.4	1-51414-296-0	1030	90	20.0	14.6	
	No.5	1-51415-296-0	920	90	18.0	11.7	
	No.6	1-51416-296-0	820	90	18.0	10.4	W/Clip
	No.7	1-51417-296-0	720	90	18.0	9.2	
	No.8	1-51418-296-0	620	90	18.0	7.9	
	No.9	1-51419-296-0	520	90	18.0	6.6	
	No.10	1-51421-296-0	420	90	18.0	5.3	
1-51410-301-0	Assy		1480	90		112.8	
	No.1	1-51411-301-0	1480	90	32.0	25.0	
	No.2	1-51412-301-0	1480	90	32.0	24.1	
	No.3	1-51413-301-0	1480	90	32.0	24.1	
	No.4	1-51414-301-0	1120	90	32.0	19.8	
	No.5	1-51415-301-0	1120	90	32.0	19.8	W/Clip
8-97614-044-0	Assy		1505	90		102.7	
	No.1	8-97614-644-0	1505	90	26.0	22.1	
	No.2	8-97614-645-0	1505	90	26.0	22.1	
	No.3	8-97614-646-0	1505	90	26.0	22.1	
	No.4	8-97614-647-0	1160	90	26.0	18.2	
	No.5	8-97614-648-0	1160	90	26.0	18.2	W/Clip



ASM Number	No. of Leaf	Leaf Number	Span	Width	Thickness	Weight	Add info
8-98101-099-0	Assy		1530	90		123.5	
	No.1	8-98105-229-0	1530	90	33.5	25.5	
	No.2	8-98105-230-0	1448	90	33.5	24.1	
	No.3	8-98105-231-0	1530	90	33.5	26.3	
	No.4	8-98105-232-0	1120	90	33.5	19.6	
	No.5	8-98105-233-0	1120	90	23.0	14.0	
	No.6	8-98105-234-0	1120	90	23.0	14.0	W/Clip
8-98101-101-0	Assy		1488	90		111.5	
8-98101-101-1	No.1	8-98105-240-0	1488	90	32.0	24.5	
	No.2	8-98105-241-0	1488	90	32.0	23.8	
	No.3	8-98105-242-0	1488	90	32.0	24.0	
	No.4	8-98105-243-0	1120	90	32.0	19.6	
	No.5	8-98105-244-0	1120	90	32.0	196.6	W/Clip
8-98102-211-1	Assy		1488	90		111.5	
8-98102-211-0	No.1	8-98199-314-0	1488	90	32.0	24.5	
	No.2	8-98199-315-0	1488	90	32.0	23.8	
	No.3	8-98199-316-0	1488	90	32.0	24.0	
	No.4	8-98105-248-0	1120	90	32.0	19.6	
	No.5	8-98105-249-0	1120	90	32.0	19.6	W/Clip
8-98205-939-0	Assy		1660	80		93.4	
	No.1	8-98142-556-0	1660	80	20.0	18.7	W/Bush
	No.2	8-98142-557-0	1665	80	24.0	20.1	
	No.3	8-98142-558-0	1670	80	24.0	18.2	
	No.4	8-98142-559-0	1670	80	24.0	18.2	
	No.5	8-98142-560-0	1670	80	24.0	18.2	W/Clip
1-51300-634-1	Assy		1326	70			
	MNo.1	1-51411-289-0	1326	70	11.0	8.8	W/Bush
	MNo.2	1-51412-289-0	1326	70	12.0	9.9	
	MNo.3	1-51413-289-0	990	70	12.0	6.1	W/Clip
	MNo.4	1-51414-289-0	750	70	12.0	4.5	
	MNo.5	1-51415-289-0	510	70	12.0	2.9	
	MNo.6	1-51416-289-0	270	70	11.0	1.6	
	HNo.1	1-51341-678-0	970	70	18.0	6.9	
	HNo.2	1-51342-678-0	970	70	18.0	6.9	W/Clip



ASM Number	No. of Leaf	Leaf Number	Span	Width	Thickness	Weight	Add info
1-51340-016-2	HN0.1	1-51341-132-0	970	70	10.0	5.3	
1-51340-016-1	HN0.2	1-51342-132-0	890	70	10.0	4.9	
	HN0.3	1-51343-132-0	810	70	10.0	4.2	
	HN0.4	1-51344-132-0	670	70	10.0	3.5	
	HN0.5	1-51345-132-0	530	70	10.0	2.7	W/Clip
	HN0.6	1-51346-132-0	390	70	10.0	1.9	
	HN0.7	1-51347-132-0	250	70	10.0	1.4	
1-51340-337-2	HN0.1	1-51341-337-0	1160	100	11.0	10.0	
	HN0.2	1-51342-337-0	1020	100	11.0	8.8	
	HN0.3	1-51343-337-1	790	100	12.0	7.4	
	HN0.4	1-51344-337-2	660	100	12.0	6.2	W/Clip
	HN0.5	1-51345-337-1	530	100	12.0	5.0	
	HN0.6	1-51346-337-1	400	100	12.0	3.8	
	HN0.7	1-51347-337-0	270	100	12.0	2.5	
1-51340-362-0	HN0.1	1-51341-362-0	1120	100	10.0	8.8	
	HN0.2	1-51342-362-0	1000	100	10.0	7.9	
	HN0.3	1-51343-362-0	920	100	11.0	7.6	
	HN0.4	1-51344-362-0	720	100	11.0	5.9	W/Clip
	HN0.5	1-51345-362-0	520	100	11.0	4.2	
	HN0.6	1-51346-362-0	320	100	11.0	2.8	
1-51340-384-0	HN0.1	1-51341-384-0	1160	100	12.0	10.9	
	HN0.2	1-51342-384-0	1020	100	13.0	10.4	
	HN0.3	1-51343-384-0	820	100	13.0	8.0	
	HN0.4	1-51344-384-0	680	100	13.0	6.6	W/Clip
	HN0.5	1-51345-384-0	540	100	13.0	5.2	
	HN0.6	1-51346-384-0	400	100	13.0	3.7	
	HN0.7	1-51347-384-0	260	100	13.0	2.4	
5-51340-196-0	HN0.1	1-51341-389-0	1160	100	12.0	10.9	
	HN0.2	1-51342-389-0	1020	100	12.0	9.6	
	HN0.3	1-51343-389-0	780	100	13.0	7.5	W/Clip
	HN0.4	1-51344-389-0	600	100	13.0	5.7	
	HN0.5	1-51345-389-0	420	100	13.0	3.8	
	HN0.6	1-51346-389-0	240	100	12.0	2.3	



ASM Number	No. of Leaf	Leaf Number	Span	Width	Thickness	Weight	Add info
1-51340-413-0	HN0.1	1-51341-413-0	986	70	10.0	5.4	
	HN0.2	1-51342-413-0	890	70	10.0	4.9	
	HN0.3	1-51343-413-0	810	70	10.0	4.2	
	HN0.4	1-51344-413-0	670	70	10.0	3.5	W/Clip
	HN0.5	1-51345-413-0	530	70	10.0	2.7	
	HN0.6	1-51346-413-0	390	70	10.0	1.9	
	HN0.7	1-51347-413-0	250	70	10.0	1.4	
1-51340-432-0	HN0.1	1-51341-432-0	970	70	11.0	5.0	
	HN0.2	1-51342-432-0	890	70	11.0	5.4	
	HN0.3	1-51343-432-0	890	70	12.0	5.9	
	HN0.4	1-51344-432-0	700	70	12.0	4.3	
	HN0.5	1-51345-432-0	540	70	12.0	3.3	W/Clip
	HN0.6	1-51346-432-0	380	70	12.0	2.2	
	HN0.7	1-51347-432-0	220	70	12.0	1.5	
1-51340-444-0	HN0.1	1-51341-444-0	1120	80	13.0	9.1	
	HN0.2	1-51342-444-0	1040	80	13.0	8.4	
	HN0.3	1-51343-444-0	770	80	13.0	6.0	W/Clip
	HN0.4	1-51344-444-0	590	80	13.0	4.5	
	HN0.5	1-51345-444-0	410	80	12.0	3.1	
	HN0.6	1-51346-444-0	270	80	13.0	2.0	
1-51340-445-1	HN0.1	1-51341-445-0	1120	80	13.0	9.1	
1-51340-445-0	HN0.2	1-51342-445-0	1040	80	13.0	8.5	
	HN0.3	1-51343-445-0	820	80	14.0	6.8	W/Clip
	HN0.4	1-51344-445-0	640	80	14.0	5.2	
	HN0.5	1-51345-445-0	460	80	14.0	3.6	
	HN0.6	1-51346-445-0	300	80	13.0	2.4	
1-51340-450-0	HN0.1	1-51341-450-0	1120	100	10.0	8.8	
	HN0.2	1-51342-450-0	1000	100	10.0	7.9	
	HN0.3	1-51343-450-0	920	100	11.0	7.6	
	HN0.4	1-51344-450-0	720	100	11.0	5.9	W/Clip
	HN0.5	1-51345-450-0	520	100	11.0	4.2	
	HN0.6	1-51346-450-0	320	100	11.0	2.8	



ASM Number	No. of Leaf	Leaf Number	Span	Width	Thickness	Weight	Add info
1-51340-487-0	HN0.1	1-51341-487-0	1120	80	12.0	8.4	
	HN0.2	1-51342-487-0	1120	80	12.0	8.4	
	HN0.3	1-51343-487-0	900	80	12.0	6.8	
	HN0.4	1-51344-487-0	800	80	12.0	6.0	W/Clip
	HN0.5	1-51345-487-0	700	80	12.0	5.3	
	HN0.6	1-51346-487-0	600	80	12.0	4.5	
	HN0.7	1-51347-487-0	500	80	12.0	3.8	
	HN0.8	1-51348-487-0	400	80	12.0	3.0	
	HN0.9	1-51349-487-0	300	80	12.0	2.3	
1-51340-457-0	HN0.1	1-51341-457-0	986	70	10.0	5.4	
	HN0.2	1-51342-457-0	890	70	10.0	4.9	
	HN0.3	1-51343-457-0	780	70	11.0	4.5	
	HN0.4	1-51344-457-0	640	70	11.0	3.6	W/Clip
	HN0.5	1-51345-457-0	500	70	11.0	2.8	
	HN0.6	1-51346-457-0	360	70	11.0	2.0	
	HN0.7	1-51347-457-0	240	70	10.0	1.3	
1-51340-459-0	HN0.1	1-51341-459-0	986	70	11.0	6.0	
	HN0.2	1-51342-459-0	890	70	11.0	5.4	
	HN0.3	1-51343-459-0	800	70	11.0	4.6	
	HN0.4	1-51344-459-0	660	70	11.0	3.8	W/Clip
	HN0.5	1-51345-459-0	520	70	11.0	2.9	
	HN0.6	1-51346-459-0	380	70	11.0	2.1	
	HN0.7	1-51347-459-0	240	70	11.0	1.5	
1-51340-461-0	HN0.1	1-51341-461-0	970	70	10.0	5.3	
	HN0.2	1-51342-461-0	890	70	10.0	4.9	
	HN0.3	1-51343-461-0	890	70	11.0	5.4	
	HN0.4	1-51344-461-0	680	70	11.0	4.1	W/Clip
	HN0.5	1-51345-461-0	540	70	11.0	3.3	
	HN0.6	1-51346-461-0	400	70	11.0	2.4	
	HN0.7	1-51347-461-0	260	70	10.0	1.4	
1-51340-578-0	HN0.1	1-51341-578-0	970	60	11.0	5.0	
	HN0.2	1-51342-578-0	880	60	12.0	5.0	
	HN0.3	1-51343-578-0	560	60	11.0	2.7	W/Clip
	HN0.4	1-51344-578-0	400	60	11.0	1.9	
	HN0.5	1-51345-578-0	240	60	11.0	1.2	



ASM Number	No. of Leaf	Leaf Number	Span	Width	Thickness	Weight	Add info
1-51340-602-0	HN0.1	1-51341-602-0	970	70	11.0	5.9	
	HN0.2	1-51342-602-0	890	70	11.0	5.4	
	HN0.3	1-51343-602-0	890	70	12.0	5.9	
	HN0.4	1-51344-602-0	700	70	12.0	4.3	
	HN0.5	1-51345-602-0	540	70	12.0	3.2	W/Clip
	HN0.6	1-51346-602-0	380	70	12.0	2.2	
	HN0.7	1-51347-602-0	220	70	12.0	1.5	
1-51340-612-0	HN0.1	1-51341-612-0	1140	100	11.0	9.8	
	HN0.2	1-51342-612-0	1020	100	11.0	8.8	
	HN0.3	1-51343-612-0	790	100	12.0	7.4	
	HN0.4	1-51344-612-0	660	100	12.0	6.2	W/Clip
	HN0.5	1-51345-612-0	530	100	12.0	5.0	
	HN0.6	1-51346-612-0	400	100	12.0	3.8	
	HN0.7	1-51347-612-0	270	100	12.0	2.5	
1-51340-431-0	HN0.1	1-51341-431-0	240	70	12.0	1.6	
	HN0.2	1-51342-431-0	970	70	11.0	5.9	
	HN0.3	1-51343-431-0	890	70	12.0	5.9	
	HN0.4	1-51344-431-0	700	70	12.0	4.3	W/Clip
	HN0.5	1-51345-431-0	540	70	12.0	3.3	
	HN0.6	1-51346-431-0	380	70	12.0	2.2	
	HN0.7	1-51347-431-0	220	70	12.0	1.5	
1-51340-625-0	HN0.1	1-51341-625-0	970	60	11.0	5.0	
	HN0.2	1-51342-625-0	900	60	12.0	5.1	
	HN0.3	1-51343-625-0	880	60	10.0	4.1	
	HN0.4	1-51344-625-0	580	60	12.0	3.1	W/Clip
	HN0.5	1-51345-625-0	410	60	11.0	1.9	
	HN0.6	1-51346-625-0	240	60	11.0	1.2	
1-51340-631-0	HN0.1	1-51341-631-0	970	60	11.0	5.0	
	HN0.2	1-51342-631-0	950	60	12.0	5.4	
	HN0.3	1-51343-631-0	580	60	12.0	3.1	W/Clip
	HN0.4	1-51344-631-0	410	60	11.0	1.9	
	HN0.5	1-51345-631-0	260	60	11.0	1.3	
1-51340-660-0	HN0.1	1-51341-660-0	1120	100	9.0	7.9	
	HN0.2	1-51342-660-0	1000	100	9.0	7.1	
	HN0.3	1-51343-660-0	780	100	9.0	5.2	W/Clip
	HN0.4	1-51344-660-0	600	100	9.0	4.0	
	HN0.5	1-51345-660-0	420	100	9.0	2.7	



ASM Number	No. of Leaf	Leaf Number	Span	Width	Thickness	Weight	Add info
1-51340-672-0	HN0.1	1-51341-672-0	1120	100	9.0	7.9	
	HN0.2	1-51342-672-0	1000	100	9.0	7.1	
	HN0.3	1-51343-672-0	780	100	9.0	5.2	W/Clip
	HN0.4	1-51344-672-0	600	100	9.0	4.0	
	HN0.5	1-51345-672-0	400	100	9.0	2.7	
1-51340-680-0	HN0.1	1-51341-680-0	970	70	18.0	6.9	
	HN0.2	1-51342-680-0	970	70	18.0	6.9	W/Clip
1-51340-681-0	HN0.1	1-51341-681-0	970	70	17.0	6.7	
	HN0.2	1-51342-681-0	970	70	17.0	6.7	W/Clip
1-51340-678-0	HN0.1	1-51341-678-0	970	70	18.0	6.9	
	HN0.2	1-51342-678-0	970	70	18.0	6.9	W/Clip
8-98017-561-0	Assy		1300	70		78.4	
8-98031-287-0	MN0.1	8-98031-288-0	1300	70	11.0	9.4	W/Bush
	MN0.2	8-98031-289-0	1305	70	11.0	8.9	
	MN0.3	8-98031-290-0	1040	70	11.0	6.1	
	MN0.4	8-98031-291-0	880	70	11.0	5.1	W/Clip
	MN0.5	8-98031-292-0	720	70	11.0	4.1	
	MN0.6	8-98031-293-0	560	70	11.0	3.2	
	MN0.7	8-98031-294-0	400	70	11.0	2.2	
	MN0.8	8-98031-295-0	250	70	11.0	1.5	
8-98031-296-0	HN0.1	8-98031-297-0	986	70	11.0	6.0	
	HN0.2	8-98031-298-0	986	70	11.0	6.0	
	HN0.3	8-98031-299-0	890	70	11.0	5.4	
	HN0.4	8-98031-300-0	915	70	11.0	5.5	
	HN0.5	8-98031-301-0	800	70	11.0	4.7	W/Clip
	HN0.6	8-98031-302-0	660	70	11.0	3.8	
	HN0.7	8-98031-303-0	520	70	11.0	3.0	
	HN0.8	8-98031-304-0	380	70	11.0	2.2	
	HN0.9	8-98031-305-0	240	70	10.0	1.3	



UD Trucks

www.nakano-sp.co.jp

ASM Number	No. of Leaf	Leaf Number	Span	Width	Thickness	Weight	Add info
52229-01421	Assy		1720	90		55.8	
	No.1	52224-70533	1720	90	28.0	27.9	W/Bush
	No.2	52224-70534	1730	90	30.0	27.9	W/Clip
52229-01422	Assy		1720	90		59.7	
	No.1	52224-70535	1720	90	30.0	30.1	W/Bush
	No.2	50004-70536	1730	90	32.0	29.6	W/Clip
52229-01424	Assy		1580	90		45.2	
	No.1	52224-70547	1580	90	22.0	22.4	W/Bush
	No.2	52224-70548	1585	90	24.0	22.8	W/Clip
52241-97067	Assy		1720	90		54.2	
	No.1	52235-60234	1720	90	26.0	27.2	W/Bush
	No.2	52241-97069	1720	90	28.0	27.0	W/Clip
52241-97070	Assy		1720	90		57.0	
	No.1	52237-95140	1720	90	28.0	27.9	W/Bush
	No.2	52241-97072	1720	90	30.0	29.1	W/Clip
52241-97073	Assy		1720	90		60.9	
	No.1	52237-95142	1720	90	30.0	30.1	W/Bush
	No.2	52241-97075	1720	90	32.0	30.8	W/Clip
54010-00Z00	Assy		1550	90		65.3	
	No.1	54111-Z9512	1550	90	14.0	18.4	W/Bush
	No.2	54112-Z9600	1550	90	15.0	18.7	
	No.3	54113-Z9711	1190	90	15.0	11.9	
	No.4	54114-Z9601	880	90	15.0	8.6	W/Clip
	No.5	54115-Z9413	570	90	15.0	5.3	
	No.6	54116-Z9307	260	90	13.0	2.1	
54010-00Z06	Assy		1800	90		63.1	
	No.1	54111-Z9601	1800	90	20.0	21.5	W/Bush
	No.2	54112-Z9609	1810	90	22.0	21.7	
	No.3	54113-Z9803	1800	90	22.0	19.9	W/Clip
54010-00Z07	Assy		1550	90		62.5	
	No.1	54111-Z9516	1550	90	12.0	15.7	W/Bush
	No.2	54112-Z9604	1550	90	12.0	14.8	
	No.3	54113-Z9716	1260	90	13.0	11.1	
	No.4	54114-Z9604	1000	90	13.0	8.7	W/Clip
	No.5	54115-Z9414	740	90	13.0	6.3	
	No.6	54116-Z9308	480	90	12.0	3.6	
No.7	54117-Z9111	270	90	12.0	2.3		



UD Trucks

www.nakano-sp.co.jp

ASM Number	No. of Leaf	Leaf Number	Span	Width	Thickness	Weight	Add info
54010-00Z0A	Assy		1550	90		65.3	
	No.1	54111-NY05D	1550	90	14.0	18.4	W/Bush
	No.2	54112-NY05D	1550	90	15.0	18.7	
	No.3	54113-NY05C	1190	90	15.0	11.9	
	No.4	54114-NY02C	880	90	15.0	8.6	W/Clip
	No.5	54015-NY00A	570	90	15.0	5.3	
	No.6	54016-NY00A	260	90	13.0	2.4	
54010-00Z0B	Assy		1550	90		74.6	
	No.1	54111-NY05E	1550	90	14.0	18.4	W/Bush
	No.2	54112-NY05E	1550	90	15.0	18.7	
	No.3	54113-NY06A	1260	90	15.0	12.7	
	No.4	54114-NY03A	1010	90	15.0	10.1	W/Clip
	No.5	54015-NY00B	760	90	15.0	7.4	W/Clip
	No.6	54016-NY00B	510	90	15.0	4.8	
	No.7	54017-NY00A	270	90	13.0	2.5	
54010-00Z0C	Assy		1550	90		76.3	
	No.1	54111-NY06A	1550	90	14.0	18.4	W/Bush
	No.2	54112-NY06A	1550	90	14.0	17.5	
	No.3	54113-NY06B	1310	90	16.0	14.1	
	No.4	54114-NY03B	1040	90	16.0	11.0	W/Clip
	No.5	54015-NY00C	770	90	16.0	8.0	W/Clip
	No.6	54016-NY00C	500	90	15.0	4.8	
	No.7	54017-NY00B	270	90	15.0	2.5	
54010-00Z0E	Assy		1550	90		83.1	
	No.1	54111-NY16A	1550	90	14.0	18.4	W/Bush
	No.2	54112-NY16A	1550	90	16.0	20.0	
	No.3	54113-NY16E	1280	90	16.0	14.0	W/Clip
	No.4	54114-NY11E	1060	90	16.0	11.5	
	No.5	54015-NY02E	840	90	16.0	9.0	
	No.6	54016-NY02A	620	90	16.0	6.5	
	No.7	54017-NY01A	400	90	14.0	3.7	



UD Trucks

www.nakano-sp.co.jp

ASM Number	No. of Leaf	Leaf Number	Span	Width	Thickness	Weight	Add info
54010-00Z18	Assy		1350	90		55.0	
	No.1	54111-Z9419	1350	90	12.0	14.0	W/Bush
	No.2	54112-Z9507	1350	90	12.0	13.1	
	No.3	54113-Z9618	1100	90	12.0	8.9	
	No.4	54114-Z9510	900	90	12.0	7.2	W/Clip
	No.5	54115-Z9404	700	90	12.0	5.5	
	No.6	54116-Z9304	500	90	12.0	3.8	
	No.7	54117-Z9109	300	90	12.0	2.5	
54010-00Z1E	Assy		1800	90		67.9	
	No.1	54111-NY11C	1800	90	22.0	23.0	W/Bush
	No.2	54112-NY11C	1810	90	24.0	23.3	
	No.3	54113-NY11E	1800	90	24.0	21.6	W/Clip
54010-00Z2C	Assy		1800	90		67.9	
	No.1	54111-NY11A	1800	90	22.0	23.0	W/Bush
	No.2	54112-NY11A	1810	90	24.0	23.3	
	No.3	54113-NY11C	1800	90	24.0	21.6	W/Clip
54010-00Z6B	Assy		1550	90		91.5	
	No.1	54111-NY17D	1550	90	14.0	18.4	W/Bush
	No.2	54112-NY17D	1550	90	14.0	17.5	
	No.3	54113-NY18E	1570	90	14.0	15.5	
	No.4	54114-NY13D	1310	90	16.0	14.1	
	No.5	54015-NY03D	1040	90	16.0	11.0	W/Clip
	No.6	54016-NY02E	770	90	16.0	8.0	W/Clip
	No.7	54017-NY01D	500	90	16.0	4.8	
54010-00Z6E	Assy		1550	90			
	No.1	54010-00Z6E-01	1550	90	22.0	19.5	W/Bush
	No.2	54010-00Z6E-02	1550	90	24.0	20.1	
	No.3	54010-00Z6E-03	1550	90	24.0	18.4	
	No.4	54010-00Z6E-04	1550	90	15.0	15.0	W/Clip
54010-00Z75	Assy		1550	90		57.2	
	No.1	54111-Z9508	1550	90	13.0	17.1	W/Bush
	No.2	54112-Z9516	1550	90	16.0	20.0	
	No.3	54113-Z9707	1150	90	16.0	11.8	W/Clip
	No.4	54114-Z9517	710	90	16.0	6.9	
No.5	54115-Z9409	270	90	14.0	2.7		



UD Trucks

www.nakano-sp.co.jp

ASM Number	No. of Leaf	Leaf Number	Span	Width	Thickness	Weight	Add info
54010-00Z76	Assy		1550	90		72.0	
	No.1	54111-Z9509	1550	90	14.0	18.4	W/Bush
	No.2	54112-Z9517	1550	90	15.0	18.7	
	No.3	54113-Z9708	1260	90	15.0	12.7	
	No.4	54114-Z9518	1010	90	15.0	10.1	W/Clip
	No.5	54115-Z9410	760	90	15.0	7.4	W/Clip
	No.6	54116-Z9306	510	90	15.0	4.8	
	No.7	54117-Z9110	270	90	13.0	2.5	
54010-00Z77	Assy		1550	90		58.4	
	No.1	54111-Z9510	1550	90	14.0	18.4	W/Bush
	No.2	54112-Z9518	1550	90	15.0	18.7	
	No.3	54113-Z9709	1120	90	15.0	11.0	W/Clip
	No.4	54114-Z9519	950	90	15.0	7.1	
	No.5	54115-Z9411	380	90	14.0	3.2	
54010-00Z79	Assy		1550	90		50.5	
	No.1	54111-Z9514	1550	90	18.0	17.3	W/Bush
	No.2	54112-Z9602	1560	90	21.0	17.3	
	No.3	54113-Z9713	1550	90	21.0	15.9	W/Clip
54010-00Z8C	Assy		1800	90		81.4	
	No.1	54111-NY02D	1800	90	22.0	22.9	W/Bush
	No.2	54112-NY02D	1810	90	24.0	23.4	
	No.3	54113-NY02E	1800	90	24.0	21.6	
	No.4	54114-NY10A	1800	90	14.0	13.5	W/Clip
54010-00Z8E	Assy		1550	90		68.8	
	No.1	54111-NY17B	1550	90	20.0	19.6	W/Bush
	No.2	54112-NY17B	1560	90	22.0	20.1	
	No.3	54113-NY18C	1550	90	22.0	18.0	
	No.4	54114-NY13B	1550	90	14.0	11.1	W/Clip
54010-00Z9C	Assy		1550	90		90.7	
	No.1	54111-NY31A	1550	90	23.0	20.6	W/Bush
	No.2	54112-NY22C	1560	90	25.0	20.4	
	No.3	54113-NY23E	1550	90	25.0	18.4	
	No.4	54114-NY17C	1550	90	25.0	18.4	
	No.5	54015-NY05E	1550	90	15.0	12.9	W/Clip



ASM Number	No. of Leaf	Leaf Number	Span	Width	Thickness	Weight	Add info
54010-01Z00	Assy		1550	90		75.5	
	No.1	54111-Z9609	1550	90	14.0	18.4	W/Bush
	No.2	54112-Z9617	1550	90	14.0	17.4	
	No.3	54113-Z9812	1340	90	16.0	14.4	W/Clip
	No.4	54114-Z9612	1070	90	16.0	11.3	
	No.5	54115-Z9502	800	90	16.0	8.3	W/Clip
	No.6	54116-Z9314	530	90	16.0	5.2	
	No.7	54117-Z9116	260	90	14.0	2.6	
54010-01Z01	Assy		1550	90		92.4	
	No.1	54011-99600	1550	90	13.0	17.1	W/Bush
	No.2	54012-99606	1550	90	13.0	16.1	
	No.3	54013-99517	1570	90	13.0	14.4	
	No.4	54014-99502	1290	90	13.0	11.5	
	No.5	54015-99412	1120	90	13.0	9.9	
	No.6	54016-99408	950	90	13.0	8.4	W/Clip
	No.7	54017-99401	780	90	13.0	6.8	W/Clip
	No.8	54018-99302	610	90	13.0	5.2	
	No.9	54019-99209	440	90	13.0	3.7	
	No.10	54021-99202	270	90	13.0	2.5	
54010-01Z12	Assy		1550	90		77.6	
	No.1	54111-Z9610	1550	90	14.0	18.4	W/Bush
	No.2	54112-Z9618	1550	90	14.0	17.4	
	No.3	54113-Z9813	1340	90	16.0	14.4	W/Clip
	No.4	54114-Z9613	1070	90	16.0	11.3	
	No.5	54115-Z9503	800	90	16.0	8.3	W/Clip
	No.6	54116-Z9315	530	90	16.0	5.2	
	No.7	54117-Z9117	260	90	14.0	2.6	
54010-01Z04	Assy		1550	90		71.2	
	No.1	54111-Z9613	1550	90	13.0	17.1	W/Bush
	No.2	54112-Z9701	1550	90	13.0	16.1	
	No.3	54113-Z9816	1270	90	13.0	11.2	W/Clip
	No.4	54114-Z9506	1070	90	13.0	9.3	W/Clip
	No.5	54115-Z9506	890	90	13.0	7.5	W/Clip
	No.6	54116-Z9318	670	90	13.0	5.7	
	No.7	54117-Z9200	470	90	13.0	3.8	
	No.8	54118-Z9417	270	90	13.0	2.5	



UD Trucks

www.nakano-sp.co.jp

ASM Number	No. of Leaf	Leaf Number	Span	Width	Thickness	Weight	Add info
54010-01Z05	Assy		1550	90		79.1	
	No.1	54111-Z9712	1550	90	13.0	17.1	W/Bush
	No.2	54112-Z9803	1550	90	13.0	16.1	
	No.3	54213-Z9004	1310	90	13.0	11.6	W/Clip
	No.4	54114-Z9718	1130	90	13.0	10.0	
	No.5	54115-Z9609	950	90	13.0	8.4	W/Clip
	No.6	54116-Z9418	780	90	13.0	6.8	W/Clip
	No.7	54117-Z9214	610	90	13.0	5.2	
	No.8	54018-Z9510	440	90	13.0	3.7	
	No.9	54019-Z9301	270	90	13.0	2.5	
54010-01Z10	Assy		1550	90		83.5	
	No.1	54111-Z9811	1550	90	13.0	17.1	W/Bush
	No.2	54112-Z9902	1560	90	13.0	16.1	
	No.3	54213-Z9104	1310	90	13.0	11.6	W/Clip
	No.4	54114-Z9813	1130	90	13.0	10.0	
	No.5	54115-Z9700	950	90	13.0	8.4	W/Clip
	No.6	54116-Z9508	780	90	13.0	6.8	W/Clip
	No.7	54117-Z9219	610	90	13.0	5.3	
	No.8	54018-Z9514	440	90	13.0	3.7	
	No.9	54019-Z9303	495	90	13.0	4.5	
54010-01Z11	Assy		1550	90		81.5	
	No.1	54111-Z9812	1550	90	13.0	17.3	W/Bush
	No.2	54112-Z9903	1560	90	13.0	16.1	
	No.3	54213-Z9105	1310	90	13.0	11.6	W/Clip
	No.4	54114-Z9814	1130	90	13.0	10.0	
	No.5	54115-Z9701	950	90	13.0	8.4	W/Clip
	No.6	54116-Z9509	780	90	13.0	6.8	W/Clip
	No.7	54117-Z9300	610	90	13.0	5.3	
	No.8	54018-Z9515	440	90	13.0	3.7	
	No.9	54019-Z9304	270	90	13.0	2.5	
54010-01Z3B	Assy		1550	90		76.3	
	No.1	54111-NY06A	1550	90	14.0	18.4	W/Bush
	No.2	54112-NY06A	1560	90	14.0	17.5	
	No.3	54113-NY06B	1310	90	16.0	14.1	
	No.4	54114-NY03B	1040	90	16.0	11.0	W/Clip
	No.5	54015-NY00C	770	90	16.0	8.0	W/Clip
	No.6	54016-NY00C	500	90	15.0	4.8	
	No.7	54017-NY00B	270	90	13.0	2.5	



UD Trucks

www.nakano-sp.co.jp

ASM Number	No. of Leaf	Leaf Number	Span	Width	Thickness	Weight	Add info
54010-01Z4D	Assy		1550	90		68.7	
	No.1	54111-NY04A	1550	90	20.0	19.2	W/Bush
	No.2	54112-NY04A	1555	90	22.0	19.4	
	No.3	54113-NY04B	1550	90	22.0	17.5	
	No.4	54114-NY02C	1550	90	14.0	12.6	W/Clip
54010-01Z69	Assy		1550	90		76.3	
	No.1	54211-Z9407	1550	90	14.0	18.4	W/Bush
	No.2	54212-Z9502	1560	90	14.0	17.5	
	No.3	54213-Z9617	1310	90	16.0	14.1	
	No.4	54214-Z9215	1040	90	16.0	11.0	W/Clip
	No.5	54215-Z9008	770	90	16.0	8.0	W/Clip
	No.6	54116-Z9812	500	90	15.0	4.8	
	No.7	54117-Z9510	270	90	13.0	2.5	
54010-01Z79	Assy		1550	90		71.5	
	No.1	54211-Z9203	1550	90	21.0	19.2	W/Bush
	No.2	54212-Z9217	1560	90	23.0	19.4	
	No.3	54213-Z9413	1550	90	23.0	17.7	
	No.4	54214-Z9102	1550	90	20.0	15.2	W/Clip
54010-02Z03	Assy		1350	90		49.8	
	No.1	54211-Z9315	1350	90	15.0	14.1	W/Bush
	No.2	54212-Z9410	1360	90	17.0	13.7	
	No.3	54213-Z9605	1350	90	17.0	12.2	
	No.4	54214-Z9205	1350	90	14.0	9.8	W/Clip
54010-02Z04	Assy		1350	90		50.0	
	No.1	54011-99515	1350	90	16.0	14.2	W/Bush
	No.2	54012-99601	1360	90	18.0	13.7	
	No.3	54013-99511	1350	90	18.0	12.3	
	No.4	54014-99417	1350	90	14.0	9.8	W/Clip
54010-02Z19	Assy		1550	90		52.9	
	No.1	54011-99619	1550	90	19.0	18.1	W/Bush
	No.2	54012-99705	1560	90	21.0	18.5	
	No.3	54013-99616	1550	90	21.0	16.3	W/Clip
54010-02Z60	Assy		1550	90		65.8	
	No.1	54011-99700	1550	90	19.0	18.1	W/Bush
	No.2	54012-99706	1560	90	21.0	18.5	
	No.3	54013-99617	1550	90	21.0	16.3	
	No.4	54015-99514	1550	90	21.0	12.9	W/Clip



UD Trucks

www.nakano-sp.co.jp

ASM Number	No. of Leaf	Leaf Number	Span	Width	Thickness	Weight	Add info
54010-02Z64	Assy		1550	90		69.2	
	No.1	54011-99803	1550	90	21.0	19.2	W/Bush
	No.2	54012-99810	1560	90	23.0	19.4	
	No.3	54013-99800	1550	90	23.0	17.7	
	No.4	54014-99604	1550	90	15.0	12.9	W/Clip
54010-03Z10	Assy		1800	90		81.4	
	No.1	54111-99018	1800	90	22.0	22.9	W/Bush
	No.2	54112-99018	1810	90	24.0	23.4	
	No.3	54113-99104	1800	90	24.0	21.6	
	No.4	54114-99015	1800	90	14.0	13.5	W/Clip
54010-03Z65	Assy		1550	90		57.7	
	No.1	54111-99009	1550	90	20.0	19.6	W/Bush
	No.2	54112-99009	1560	90	22.0	20.1	
	No.3	54113-99012	1550	90	22.0	18.0	W/Clip
54010-03Z76	Assy		1550	90		57.7	
	No.1	54111-99009	1550	90	20.0	19.6	W/Bush
	No.2	54112-99009	1560	90	22.0	20.1	
	No.3	54113-99012	1550	90	22.0	18.0	W/Clip
54010-03Z79	Assy		1550	90		72.3	
	No.1	54111-NY308	1550	90	23.0	20.6	W/Bush
	No.2	54112-NY309	1560	90	25.0	20.4	
	No.3	54113-NY318	1550	90	25.0	18.4	
	No.4	54114-NY12D	1550	90	15.0	12.9	W/Clip
54010-04Z00	Assy		1550	90		65.3	
	No.1	54011-99804	1550	90	14.0	18.4	W/Bush
	No.2	54012-99811	1560	90	15.0	18.7	
	No.3	54013-99801	1190	90	15.0	11.9	
	No.4	54014-99605	880	90	15.0	8.6	W/Clip
	No.5	54015-99419	570	90	15.0	5.3	
	No.6	54016-99415	260	90	13.0	2.4	
54010-04Z05	Assy		1550	90		53.0	
	No.1	54111-NY201	1550	90	20.0	18.1	W/Bush
	No.2	54112-NY202	1560	90	22.0	18.2	
	No.3	54113-NY207	1550	90	22.0	16.7	W/Clip



UD Trucks

www.nakano-sp.co.jp

ASM Number	No. of Leaf	Leaf Number	Span	Width	Thickness	Weight	Add info
54010-04Z07	Assy		1550	90		67.0	
	No.1	54111-NY202	1550	90	20.0	18.3	W/Bush
	No.2	54112-NY203	1560	90	22.0	19.0	
	No.3	54113-NY210	1550	90	22.0	17.4	
	No.4	54114-NY118	1550	90	14.0	12.3	W/Clip
54010-04Z10	Assy		1550	90		54.6	
	No.1	54111-NY203	1550	90	20.0	18.3	W/Bush
	No.2	54112-NY204	1560	90	22.0	19.0	
	No.3	54113-NY211	1550	90	22.0	17.3	W/Clip
54010-04Z13	Assy		1550	90		52.9	
	No.1	54111-99108	1550	90	19.0	18.1	W/Bush
	No.2	54112-99108	1560	90	21.0	18.5	
	No.3	54113-99114	1550	90	21.0	16.3	W/Clip
54010-04Z60	Assy		1800	90		57.7	
	No.1	54011-99616	1800	90	21.0	22.2	W/Bush
	No.2	54012-99702	1810	90	23.0	22.2	
	No.3	54013-99613	1800	90	23.0	20.3	W/Clip
54010-04Z62	Assy		1550	90		56.6	
	No.1	54111-NY302	1550	90	21.0	19.4	W/Bush
	No.2	54112-NY303	1560	90	23.0	19.5	
	No.3	54113-NY312	1550	90	23.0	17.7	W/Clip
54010-04Z65	Assy		1550	90		51.2	
	No.1	54111-NY213	1550	90	19.0	18.0	W/Bush
	No.2	54112-NY214	1560	90	20.0	17.7	
	No.3	54113-NY302	1550	90	20.0	15.5	W/Clip
54010-04Z71	Assy		1550	90		67.0	
	No.1	54111-NY204	1550	90	20.0	18.3	W/Bush
	No.2	54112-NY205	1560	90	22.0	19.0	
	No.3	54113-NY212	1550	90	22.0	17.4	
	No.4	54114-NY119	1550	90	14.0	12.3	W/Clip
54010-04Z76	Assy		1800	90		67.9	
	No.1	54111-NY300	1800	90	22.0	23.0	W/Bush
	No.2	54112-NY301	1810	90	24.0	23.3	
	No.3	54113-NY309	1800	90	24.0	21.6	W/Clip



UD Trucks

www.nakano-sp.co.jp

ASM Number	No. of Leaf	Leaf Number	Span	Width	Thickness	Weight	Add info
54010-04Z79	Assy		1550	90		71.0	
	No.1	54111-99101	1550	90	21.0	19.2	W/Bush
	No.2	54112-99101	1560	90	23.0	19.4	
	No.3	54113-99107	1550	90	23.0	17.7	
	No.4	54114-99017	1550	90	19.0	14.7	W/Clip
54010-05Z00	Assy		1550	90		70.9	
	No.1	54111-NY303	1550	90	22.0	19.5	W/Bush
	No.2	54112-NY304	1560	90	24.0	20.1	
	No.3	54113-NY313	1550	90	24.0	18.4	
	No.4	54114-NY212	1550	90	15.0	12.9	W/Clip
54010-05Z05	Assy		1800	90		75.8	
	No.1	54111-NY306	1800	90	18.0	19.9	W/Bush
	No.2	54112-NY307	1810	90	20.0	19.7	
	No.3	54113-NY316	1800	90	20.0	18.1	
	No.4	54114-NY215	1800	90	20.0	18.1	W/Clip
54010-05Z09	Assy		1550	90		75.9	
	No.1	54111-NY215	1550	90	14.0	18.4	W/Bush
	No.2	54112-NY216	1560	90	14.0	17.4	
	No.3	54113-NY304	1310	90	16.0	14.0	
	No.4	54114-NY206	1040	90	16.0	11.0	W/Clip
	No.5	54015-NY018	770	90	16.0	7.9	W/Clip
	No.6	54016-NY018	500	90	15.0	4.7	
	No.7	54017-NY012	270	90	13.0	2.5	
54010-05Z75	Assy		1550	90		63.4	
	No.1	54111-NY214	1550	90	18.0	17.3	W/Bush
	No.2	54112-NY215	1560	90	21.0	17.3	
	No.3	54113-NY303	1550	90	21.0	15.9	
	No.4	54114-NY07A	1550	90	15.0	12.9	W/Clip
54010-06Z13	Assy		1550	90		51.2	
	No.1	54111-NY09C	1550	90	19.0	18.0	W/Bush
	No.2	54112-NY09C	1560	90	20.0	17.7	
	No.3	54113-NY09E	1550	90	20.0	15.5	W/Clip
54010-06Z17	Assy		1550	90		50.5	
	No.1	54111-NY09B	1550	90	18.0	17.3	W/Bush
	No.2	54112-NY09B	1560	90	21.0	17.3	
	No.3	54113-NY09D	1550	90	21.0	15.9	W/Clip



UD Trucks

www.nakano-sp.co.jp

ASM Number	No. of Leaf	Leaf Number	Span	Width	Thickness	Weight	Add info
54010-06Z19	Assy		1550	90		54.6	
	No.1	54111-NY09A	1550	90	20.0	18.3	W/Bush
	No.2	54112-NY09A	1560	90	22.0	19.0	
	No.3	54113-NY09C	1550	90	22.0	17.3	W/Clip
54010-06Z63	Assy		1550	90		63.4	
	No.1	54111-NY214	1550	90	18.0	17.3	W/Bush
	No.2	54112-NY215	1560	90	21.0	17.3	
	No.3	54113-NY303	1550	90	21.0	15.9	
	No.4	54114-NY07A	1550	90	15.0	12.9	W/Clip
54010-06Z68	Assy		1550	90		59.4	
	No.1	54111-NY03A	1550	90	23.0	20.6	W/Bush
	No.2	54112-NY03A	1560	90	25.0	20.4	
	No.3	54113-NY03B	1550	90	25.0	18.4	W/Clip
54010-06Z74	Assy		1550	90		50.5	
	No.1	54111-NY04B	1550	90	18.0	17.3	W/Bush
	No.2	54112-NY04B	1560	90	21.0	17.3	
	No.3	54113-NY04C	1550	90	21.0	15.9	W/Clip
54010-06Z78	Assy		1550	90		71.0	
	No.1	54111-NY01C	1550	90	21.0	19.2	W/Bush
	No.2	54112-NY01C	1560	90	23.0	19.4	
	No.3	54113-NY01D	1550	90	23.0	17.7	
	No.4	54114-NY09C	1550	90	19.0	14.7	W/Clip
54010-07Z31	Assy		1650	90		129.1	
	No.1	54111-99102	1650	90	25.0	22.7	W/Bush
	No.2	54112-NY18A	1650	90	25.0	23.2	
	No.3	54113-NY19B	1650	90	25.0	20.8	
	No.4	54114-NY14A	1650	90	25.0	20.8	
	No.5	54015-NY04A	1650	90	25.0	20.8	
	No.6	54016-NY03B	1650	90	25.0	20.8	W/Clip
54010-07Z35	Assy		1550	90		96.6	
	No.1	54111-NY14C	1550	90	23.0	22.2	W/Bush
	No.2	54112-NY14C	1560	90	25.0	22.4	
	No.3	54113-NY14E	1550	90	25.0	20.1	
	No.4	54114-NY08D	1550	90	25.0	20.1	
	No.5	54015-NY01C	1550	90	15.0	11.8	W/Clip



UD Trucks

www.nakano-sp.co.jp

ASM Number	No. of Leaf	Leaf Number	Span	Width	Thickness	Weight	Add info
54010-07Z37	Assy		1550				
	No.1	54111-NY14E	1550	90	25.0	23.2	W/Bush
	No.2	54112-NY14E	1560	90	25.0	22.1	
	No.3	54113-NY15B	1550	90	25.0	20.0	
	No.4	54114-NY09A	1550	90	25.0	19.8	
	No.5	54015-NY01E	1550	90	25.0	19.8	
	No.6	54016-NY01A	1550	90	25.0	19.8	W/Clip
54010-30Z01	Assy		1300	70		31.1	
	No.1	54111-Z9714	1300	70	11.0	9.6	W/Bush
	No.2	54112-Z9805	1305	70	11.0	8.9	
	No.3	54113-Z9006	1030	70	13.0	6.8	W/Clip
	No.4	54114-Z9800	670	70	13.0	4.2	
	No.5	54115-Z9610	310	70	11.0	1.6	
54010-30Z06	Assy		1300	70		38.2	
	No.1	54111-Z9800	1300	70	11.0	9.6	W/Bush
	No.2	54112-Z9811	1305	70	11.0	8.9	
	No.3	54113-Z9012	1170	70	11.0	7.1	
	No.4	54114-Z9804	1030	70	13.0	6.8	W/Clip
	No.5	54115-Z9613	670	70	13.0	4.2	
	No.6	54116-Z9501	310	70	11.0	1.6	
54010-30Z09	Assy		1300	70		34.3	
	No.1	54111-Z9801	1300	70	11.0	9.6	W/Bush
	No.2	54112-Z9812	1305	70	11.0	8.9	
	No.3	54213-Z9014	1050	70	13.0	7.1	W/Clip
	No.4	54114-Z9806	740	70	13.0	4.9	
	No.5	54115-Z9614	430	70	11.0	2.4	
	No.6	54116-Z9502	270	70	11.0	1.4	
54010-30Z12	Assy		1400	80		43.4	
	No.1	54111-Z9804	1400	80	11.0	11.7	W/Bush
	No.2	54112-Z9815	1410	80	11.0	11.0	
	No.3	54213-Z9017	1150	80	13.0	8.8	
	No.4	54114-Z9807	850	80	13.0	6.3	W/Clip
	No.5	54115-Z9615	550	80	13.0	3.9	
	No.6	54116-Z9503	250	80	11.0	1.7	



UD Trucks

www.nakano-sp.co.jp

ASM Number	No. of Leaf	Leaf Number	Span	Width	Thickness	Weight	Add info
54010-30Z15	Assy		1400	80		52.9	
	No.1	54111-Z9807	1400	80	12.0	12.8	W/Bush
	No.2	54312-Z9003	1400	80	12.0	12.0	
	No.3	54213-Z9100	1130	80	12.0	8.2	
	No.4	54114-Z9809	940	80	12.0	6.8	W/Clip
	No.5	54115-Z9617	750	80	12.0	5.3	
	No.6	54116-Z9505	560	80	11.0	3.6	
	No.7	54117-Z9216	400	80	11.0	2.5	
	No.8	54018-Z9511	240	80	11.0	1.7	
54010-30Z17	Assy		1400	80		56.0	
	No.1	54111-Z9808	1400	80	12.0	12.8	W/Bush
	No.2	54112-Z9819	1410	80	12.0	12.0	
	No.3	54213-Z9101	1160	80	12.0	8.4	
	No.4	54114-Z9810	990	80	12.0	7.1	W/Clip
	No.5	54115-Z9618	820	80	12.0	5.9	
	No.6	54116-Z9506	650	80	12.0	4.5	
	No.7	54117-Z9217	480	80	12.0	3.3	
	No.8	54018-Z9512	310	80	12.0	1.9	
54010-30Z19	Assy		1300	70		31.1	
	No.1	54111-Z9904	1300	70	11.0	9.6	W/Bush
	No.2	54112-Z9915	1305	70	11.0	8.9	
	No.3	54213-Z9118	1030	70	13.0	8.8	W/Clip
	No.4	54114-Z9906	670	70	13.0	4.2	
	No.5	54115-Z9713	310	70	11.0	1.6	
54010-30Z1B	Assy		1300	70		21.3	
	No.1	54211-Z907A	1300	70	18.0	10.9	W/Bush
	No.2	54212-Z911E	1305	70	20.0	10.4	W/Clip
54010-30Z5B	Assy		1300	70		21.3	
	No.1	54111-Z902B	1300	70	18.0	10.9	W/Bush
	No.2	54112-Z902C	1305	70	20.0	10.4	W/Clip
54010-30Z60	Assy		1300	70		27.6	
	No.1	54111-Z9809	1300	70	11.0	9.6	W/Bush
	No.2	54112-Z9900	1305	70	13.0	10.6	
	No.3	54213-Z9102	840	70	13.0	5.3	W/Clip
No.4	54114-Z9811	400	70	11.0	2.1		



UD Trucks

www.nakano-sp.co.jp

ASM Number	No. of Leaf	Leaf Number	Span	Width	Thickness	Weight	Add info
54010-30Z69	Assy		1300	70		37.6	
	No.1	54111-Z9910	1300	70	11.0	9.6	W/Bush
	No.2	54212-Z9003	1305	70	11.0	8.9	
	No.3	54213-Z9204	1080	70	11.0	6.2	W/Clip
	No.4	54114-Z9911	880	70	11.0	5.0	
	No.5	54115-Z9717	680	70	11.0	3.8	
	No.6	54116-Z9603	480	70	11.0	2.6	
	No.7	54117-Z9310	280	70	11.0	1.5	
54010-30Z73	Assy		1300	70		37.2	
	No.1	54111-Z9915	1300	70	11.0	9.6	W/Bush
	No.2	54112-Z9008	1305	70	11.0	9.0	
	No.3	54213-Z9209	1040	70	11.0	6.9	W/Clip
	No.4	54114-Z9915	850	70	11.0	4.9	
	No.5	54115-Z9800	660	70	11.0	3.7	
	No.6	54116-Z9606	470	70	11.0	2.8	
	No.7	54117-Z9312	280	70	11.0	1.5	
54010-30Z74	Assy		1300	70		45.1	
	No.1	54111-Z9916	1300	70	11.0	9.6	W/Bush
	No.2	54212-Z9009	1305	70	11.0	8.9	
	No.3	54213-Z9210	1310	70	11.0	7.9	
	No.4	54114-Z9916	1040	70	11.0	6.0	W/Clip
	No.5	54115-Z9801	850	70	11.0	4.9	
	No.6	54116-Z9607	660	70	11.0	3.7	
	No.7	54117-Z9313	470	70	11.0	2.6	
	No.8	54018-Z9603	280	70	11.0	1.5	
54010-30Z77	Assy		1400	80		60.2	
	No.1	54211-Z9104	1400	80	12.0	12.8	W/Bush
	No.2	54212-Z9118	1405	80	12.0	12.1	
	No.3	54213-Z9316	1180	80	12.0	8.6	
	No.4	54214-Z9011	1020	80	12.0	7.4	W/Clip
	No.5	54115-Z9815	860	80	12.0	6.2	
	No.6	54116-Z9701	700	80	12.0	5.0	
	No.7	54117-Z9406	540	80	12.0	3.8	
	No.8	54018-Z9606	380	80	12.0	2.6	
No.9	54019-Z9313	220	80	12.0	1.7		



UD Trucks

www.nakano-sp.co.jp

ASM Number	No. of Leaf	Leaf Number	Span	Width	Thickness	Weight	Add info
54010-30Z79	Assy		1400	80		60.6	
	No.1	54211-Z9106	1400	80	14.0	13.2	W/Bush
	No.2	54212-Z9120	1405	80	12.0	12.1	
	No.3	54213-Z9318	1180	80	12.0	8.6	
	No.4	54214-Z9013	1020	80	12.0	7.4	W/Clip
	No.5	54115-Z9817	860	80	12.0	6.2	
	No.6	54116-Z9703	700	80	12.0	5.0	
	No.7	54117-Z9408	540	80	12.0	3.8	
	No.8	54018-Z9611	380	80	12.0	2.6	
	No.9	54019-Z9314	220	80	12.0	1.7	
54010-31Z06	Assy		1300	70		37.7	
	No.1	54211-Z9216	1300	70	11.0	9.6	W/Bush
	No.2	54212-Z9310	1305	70	11.0	9.0	
	No.3	54213-Z9506	1080	70	11.0	6.2	W/Clip
	No.4	54214-Z9112	880	70	11.0	5.0	
	No.5	54115-Z9911	680	70	11.0	3.8	
	No.6	54116-Z9715	480	70	11.0	2.6	
	No.7	54117-Z9416	280	70	11.0	1.5	
54010-31Z12	Assy		1400	80		60.1	
	No.1	54211-Z9314	1400	80	12.0	12.8	W/Bush
	No.2	54212-Z902Z	1400	80	12.0	12.0	
	No.3	54213-Z9604	1180	80	12.0	8.6	
	No.4	54214-Z9204	1020	80	12.0	7.4	W/Clip
	No.5	54215-Z9000	860	80	12.0	6.2	
	No.6	54116-Z9804	700	80	12.0	5.0	
	No.7	54117-Z9504	540	80	12.0	3.8	
	No.8	54018-Z9700	380	80	12.0	2.6	
	No.9	54019-Z9319	220	80	12.0	1.7	
54010-31Z13	Assy		1400	80		60.2	
	No.1	54211-Z9310	1400	80	12.0	12.8	W/Bush
	No.2	54212-Z9405	1400	80	12.0	12.1	
	No.3	54213-Z9600	1180	80	12.0	8.6	
	No.4	54124-Z9201	1020	80	12.0	7.4	W/Clip
	No.5	54115-Z9917	860	80	12.0	6.2	
	No.6	54116-Z9801	700	80	12.0	5.0	
	No.7	54117-Z9501	540	80	12.0	3.8	
	No.8	54018-Z9617	380	80	12.0	2.6	
	No.9	54019-Z9317	220	80	12.0	1.7	



UD Trucks

www.nakano-sp.co.jp

ASM Number	No. of Leaf	Leaf Number	Span	Width	Thickness	Weight	Add info
54010-32Z14	Assy		1400	80		60.5	
	No.1	54211-Z9312	1400	80	14.0	13.2	W/Bush
	No.2	54312-Z9007	1400	80	12.0	12.0	
	No.3	54213-Z9602	1180	80	12.0	8.6	
	No.4	54214-Z9203	1020	80	12.0	7.4	W/Clip
	No.5	54115-Z9919	860	80	12.0	6.2	
	No.6	54116-Z9803	700	80	12.0	5.0	
	No.7	54117-Z9503	540	80	12.0	3.8	
	No.8	54018-Z9619	380	80	12.0	2.6	
No.9	54019-Z9318	220	80	12.0	1.7		
54010-32Z68	Assy		1400	80		39.9	
	No.1	54211-Z9714	1400	80	17.5	13.8	W/Bush
	No.2	54212-Z9807	1405	80	19.5	13.7	
54010-32Z75	Assy		1400	80		39.9	
	No.1	54211-Z9713	1400	80	17.5	13.8	W/Bush
	No.2	54212-Z9806	1405	80	19.5	13.7	
54010-32Z78	Assy		1300	70		21.6	
	No.1	54211-Z9710	1300	70	18.0	10.8	W/Bush
	No.2	54212-Z9803	1305	70	20.0	10.8	W/Clip
54010-33Z04	Assy		1250	70		31.4	
	No.1	54011-Z9607	1250	70	10.0	8.4	W/Bush
	No.2	54012-Z9609	1255	70	10.0	7.8	
	No.3	54313-Z9008	1050	70	11.0	6.0	
	No.4	54214-Z9411	810	70	11.0	4.5	W/Clip
	No.5	54015-Z9611	570	70	11.0	3.1	
54010-33Z05	Assy		1400	80		40.6	
	No.1	54211-Z9808	1400	80	18.0	14.0	W/Bush
	No.2	54212-Z9901	1405	80	20.0	13.9	
54010-33Z66	Assy		1400	80		39.9	
	No.1	54211-Z903E	1400	80	17.5	13.8	W/Bush
	No.2	54212-Z904D	1405	80	19.5	13.7	
No.3	54213-Z903B	1400	80	19.5	12.4	W/Clip	



UD Trucks

www.nakano-sp.co.jp

ASM Number	No. of Leaf	Leaf Number	Span	Width	Thickness	Weight	Add info
54010-90024	Assy		1560	90		70.3	
	No.1	54011-99119	1560	90	12.0	15.8	W/Bush
	No.2	54012-99201	1570	90	12.0	14.9	
	No.3	54013-99200	1340	90	12.0	10.9	
	No.4	54014-99200	1140	90	12.0	9.2	W/Clip
	No.5	54015-99119	940	90	12.0	7.5	
	No.6	54016-99119	740	90	12.0	5.5	
	No.7	54017-99200	540	90	12.0	4.1	
	No.8	54018-99109	340	90	12.0	2.4	
54010-90062	Assy		1560	90		60.6	
	No.1	54011-99203	1560	90	12.0	15.8	W/Bush
	No.2	54012-99205	1570	90	13.0	16.2	
	No.3	54013-99204	1280	90	13.0	11.1	W/Clip
	No.4	54014-99204	990	90	13.0	8.5	
	No.5	54015-99203	700	90	13.0	5.8	W/Clip
	No.6	54016-99203	410	90	13.0	3.2	
54010-90069	Assy		1360	90		45.1	
	No.1	54011-99104	1360	90	12.0	12.8	W/Bush
	No.2	54012-99106	1360	90	12.0	13.1	
	No.3	54013-99106	1140	90	12.0	9.7	
	No.4	54014-99105	1000	90	12.0	8.5	
	No.5	54015-99207	860	90	12.0	7.3	W/Clip
	No.6	54016-99105	720	90	12.0	6.1	
	No.7	54017-99106	580	90	12.0	4.9	
	No.8	54018-99116	440	90	12.0	3.7	
	No.9	54019-99017	300	90	12.0	2.5	



UD Trucks

www.nakano-sp.co.jp

ASM Number	No. of Leaf	Leaf Number	Span	Width	Thickness	Weight	Add info
54010-90218	Assy		1650	90		132.9	
	No.1	54011-99504	1650	90	15.0	19.4	W/Bush
	No.2	54012-99510	1650	90	15.0	19.8	
	No.3	54013-99502	1650	90	15.0	17.5	
	No.4	54014-99411	1350	90	15.0	14.3	
	No.5	54015-99407	1210	90	15.0	12.8	W/Clip
	No.6	54016-99403	1070	90	15.0	11.3	
	No.7	54017-99317	930	90	15.0	9.9	
	No.8	54018-99218	790	90	15.0	8.4	
	No.9	54019-99205	650	90	15.0	6.9	W/Clip
	No.10	54021-99118	510	90	15.0	5.4	
	No.11	54022-99104	493	90	13.0	4.5	
	No.12	54023-99018	290	90	13.0	2.7	
54010-90300	Assy		1550	90		48.1	
	No.1	54011-99315	1550	90	18.0	17.1	W/Bush
	No.2	94012-99318	1560	90	18.0	16.3	
	No.3	54013-99315	1550	90	18.0	14.7	W/Clip
54010-90370	Assy		1500	90		58.1	
	No.1	54211-Z9119	1500	90	12.0	15.3	W/Bush
	No.2	54212-Z9213	1510	90	13.0	15.7	
	No.3	54213-Z9410	1180	90	13.0	10.3	W/Clip
	No.4	54214-Z9019	920	90	13.0	8.0	
	No.5	54115-Z9901	660	90	13.0	5.6	W/Clip
	No.6	54116-Z9707	400	90	13.0	3.2	
54010-Z0063	Assy		1550	90		57.8	
	No.1	54011-Z9417	1550	90	11.0	14.3	W/Bush
	No.2	54012-Z9419	1560	90	13.0	16.1	
	No.3	54013-Z9512	1230	90	13.0	10.5	W/Clip
	No.4	54014-Z9511	910	90	13.0	7.5	W/Clip
	No.5	54015-Z9502	590	90	13.0	4.6	
	No.6	54016Z-9401	270	90	11.0	2.1	
	No.7	54017-Z9308	314	90	12.0	2.7	



UD Trucks

www.nakano-sp.co.jp

ASM Number	No. of Leaf	Leaf Number	Span	Width	Thickness	Weight	Add info
54010-00Z74	Assy		1550	90		62.7	
	No.1	54011-Z9516	1550	90	12.0	15.7	
	No.2	54012-Z9518	1560	90	14.0	17.4	W/Bush
	No.3	54013-Z9611	1230	90	14.0	11.4	
	No.4	54014-Z9610	910	90	14.0	8.5	W/Clip
	No.5	54015-Z9601	590	90	14.0	5.0	W/Clip
	No.6	54016-Z9500	270	90	12.0	2.3	
	No.7	54017-Z9405	314	90	12.0	2.7	
54010-Z1064	Assy		1550	90		60.7	
	No.1	54011-Z9219	1550	90	12.0	15.7	W/Bush
	No.2	54012-Z9301	1560	90	14.0	17.3	
	No.3	54013-Z9312	1230	90	14.0	11.4	W/Clip
	No.4	54014-Z9310	910	90	14.0	8.2	W/Clip
	No.5	54015-Z9304	590	90	14.0	5.0	
	No.6	54016-Z9304	261	90	12.0	3.1	
54010-Z1065	Assy		1550	90		56.4	
	No.1	54011-Z9300	1550	90	12.0	15.7	W/Bush
	No.2	54012-Z9302	1560	90	12.0	14.8	
	No.3	54013Z-9313	1250	90	14.0	11.6	W/Clip
	No.4	54014-Z9311	880	90	14.0	7.9	W/Clip
	No.5	54015-Z9305	500	90	12.0	3.6	
	No.6	54016-Z9305	331	90	12.0	2.8	
54010-Z1068	Assy		1550	90		68.1	
	No.1	54011-Z9303	1550	90	12.0	15.7	W/Bush
	No.2	54012-Z9305	1560	90	14.0	17.3	
	No.3	54013-Z9316	1260	90	14.0	11.9	W/Clip
	No.4	54014-Z9314	1000	90	14.0	9.4	W/Clip
	No.5	54015-Z9308	740	90	14.0	6.8	
	No.6	54016-Z9300	480	90	14.0	4.2	
	No.7	54017-Z9201	336	90	12.0	2.3	
54010-Z2018	Assy		1550	90		69.5	
	No.1	54011-Z9314	1550	90	13.0	17.1	W/Bush
	No.2	54012-Z9316	1560	90	14.0	17.4	
	No.3	54013-Z9407	1260	90	14.0	11.8	
	No.4	54014-Z9405	1000	90	14.0	9.2	W/Clip
	No.5	54015-Z9319	740	90	14.0	6.6	
	No.6	54016-Z9319	470	90	13.0	3.8	
	No.7	54017-Z9212	393	90	13.0	3.6	



UD Trucks

www.nakano-sp.co.jp

ASM Number	No. of Leaf	Leaf Number	Span	Width	Thickness	Weight	Add info
54010-Z2066	Assy		1550	90		82.3	
	No.1	54111-Z9101	1550	90	13.0	17.1	W/Bush
	No.2	54112-Z9108	1560	90	13.0	16.1	
	No.3	54113-Z9205	1290	90	13.0	11.5	
	No.4	54114-Z9116	1120	90	13.0	9.9	
	No.5	54115-Z9101	950	90	13.0	8.4	W/Clip
	No.6	54116-Z9001	780	90	13.0	6.8	
	No.7	54017-Z9617	610	90	13.0	5.2	
	No.8	54018-Z9404	440	90	13.0	3.7	
	No.9	54019-Z9213	393	90	13.0	3.6	
54010-Z2073	Assy		1550	90		69.5	
	No.1	54111-Z9116	1550	90	13.0	17.1	W/Bush
	No.2	54112-Z9215	1560	90	14.0	17.4	
	No.3	54113-Z9317	1260	90	14.0	11.8	
	No.4	54114-Z9300	1000	90	14.0	9.2	W/Clip
	No.5	54115-Z9204	740	90	14.0	6.6	
	No.6	54116-Z9110	470	90	13.0	3.8	
	No.7	54117-Z9008	393	90	13.0	3.6	
54010-Z2077	Assy		1550	90		77.1	
	No.1	54011-Z9511	1550	90	13.0	17.1	W/Bush
	No.2	54012-Z9513	1560	90	13.0	16.1	
	No.3	54013-Z9606	1350	90	14.0	12.8	
	No.4	54014-Z9605	1110	90	14.0	10.4	
	No.5	54015-Z9516	870	90	14.0	8.0	W/Clip
	No.6	54016-Z9415	630	90	13.0	5.4	
	No.7	54017-Z9401	450	90	13.0	3.7	
	No.8	54018-Z9216	393	90	13.0	3.6	
54010-Z2179	Assy		1550	90		62.2	
	No.1	54011-Z9902	1550	90	13.0	17.1	W/Bush
	No.2	54012-Z9908	1560	90	15.0	18.7	
	No.3	54113-Z9000	1170	90	15.0	11.5	W/Clip
	No.4	54014-Z9919	820	90	15.0	7.8	W/Clip
	No.5	54015-Z9910	470	90	13.0	3.8	
	No.6	54016-Z9815	389	90	12.0	3.3	



UD Trucks

www.nakano-sp.co.jp

ASM Number	No. of Leaf	Leaf Number	Span	Width	Thickness	Weight	Add info
54010-Z2214	Assy		1300	90		47.7	
	No.1	54011-Z9907	1300	90	11.0	12.4	W/Bush
	No.2	54012-Z9913	1310	90	11.0	11.6	
	No.3	54113-Z9006	1050	90	12.0	6.5	W/Clip
	No.4	54114-Z9005	810	90	12.0	6.4	
	No.5	54015-Z9916	570	90	12.0	4.4	
	No.6	54016Z-9910	522	90	12.0	4.4	
54010-Z2264	Assy		1300	90		57.4	
	No.1	54111-Z9309	1300	90	11.0	12.4	W/Bush
	No.2	54112-Z9316	1310	90	11.0	11.6	
	No.3	54113-Z9503	1320	90	11.0	10.3	
	No.4	54114-Z9402	1050	90	12.0	8.5	W/Clip
	No.5	54115-Z9304	810	90	12.0	6.4	
	No.6	54116-Z9210	570	90	12.0	4.4	
	No.7	54117-Z9101	449	90	12.0	3.8	
54010-Z5019	Assy		1250	70		26.4	
	No.1	54011-Z9806	1250	70	10.0	8.4	W/Bush
	No.2	54012-Z9810	1260	70	10.0	7.8	
	No.3	54013-Z9901	960	70	12.0	5.7	W/Clip
	No.4	54014-Z9902	600	70	12.0	3.3	
	No.5	54015-Z9814	240	70	10.0	1.2	
54010-Z5063	Assy		1250	70		25.4	
	No.1	54011-Z9411	1250	70	10.0	8.4	W/Bush
	No.2	54012-Z9413	1260	70	12.0	9.5	
	No.3	54013-Z9506	910	70	12.0	5.2	W/Clip
	No.4	54014-Z9505	450	70	12.0	2.3	
54010-Z5069	Assy		1250	70		35.6	
	No.1	54011-Z9416	1250	70	10.0	8.4	W/Bush
	No.2	54012-Z9418	1260	70	11.0	8.6	
	No.3	54013-Z9511	1020	70	11.0	5.9	W/Clip
	No.4	54014-Z9510	840	70	11.0	4.8	
	No.5	54015-Z9501	660	70	11.0	3.7	
	No.6	54016-Z9400	480	70	11.0	2.6	
	No.7	54017-Z9307	300	70	11.0	1.6	



UD Trucks

www.nakano-sp.co.jp

ASM Number	No. of Leaf	Leaf Number	Span	Width	Thickness	Weight	Add info
54010-Z5072	Assy		1250	70		27.7	
	No.1	54011-Z9704	1250	70	11.0	9.3	W/Bush
	No.2	54012-Z9708	1260	70	11.0	8.7	
	No.3	54013-Z9719	890	70	11.0	5.0	W/Clip
	No.4	54014-Z9719	600	70	11.0	3.2	
	No.5	54015-Z9712	310	70	10.0	1.5	
54010-Z5073	Assy		1250	70		32.8	
54010-Z5075	No.1	54011-Z9705	1250	70	11.0	9.3	W/Bush
	No.2	54012-Z9709	1260	70	11.0	8.7	
	No.3	54013-Z9800	970	70	11.0	5.6	W/Clip
	No.4	54014-Z9800	760	70	11.0	4.3	
	No.5	54015-Z9713	550	70	11.0	3.1	
	No.6	54016-Z9703	340	70	11.0	1.8	
54010-Z5075	Assy		1250	70		32.8	
54010-Z5073	No.1	54011-Z9705	1250	70	11.0	9.3	W/Bush
	No.2	54012-Z9709	1260	70	11.0	8.7	
	No.3	54013-Z9800	970	70	11.0	5.6	W/Clip
	No.4	54014-Z9800	760	70	11.0	4.3	
	No.5	54015-Z9713	550	70	11.0	3.1	
	No.6	54016-Z9703	340	70	11.0	1.8	
54010-Z5077	Assy		1250	70		31.8	
	No.1	54011-Z9615	1250	70	11.0	9.3	W/Bush
	No.2	54012-Z9619	1260	70	11.0	8.7	
	No.3	54013-Z9710	950	70	11.0	5.4	W/Clip
	No.4	54014-Z9710	730	70	11.0	4.1	
	No.5	54015-Z9703	510	70	11.0	2.8	
	No.6	54016-Z9616	300	70	11.0	1.5	
54010-Z5078	Assy		1250	70		35.6	
	No.1	54011-Z9706	1250	70	10.0	8.4	W/Bush
	No.2	54012-Z9710	1260	70	11.0	8.6	
	No.3	54013-Z9801	1020	70	11.0	5.9	W/Clip
	No.4	54014-Z9801	840	70	11.0	4.8	
	No.5	54015-Z9714	660	70	11.0	3.7	
	No.6	54016-Z9704	480	70	11.0	2.6	
	No.7	54017-Z9504	300	70	11.0	1.6	



UD Trucks

www.nakano-sp.co.jp

ASM Number	No. of Leaf	Leaf Number	Span	Width	Thickness	Weight	Add info
54010-Z5103	Assy		1300	70		36.6	
	No.1	54011-Z9901	1300	70	11.0	9.6	W/Bush
	No.2	54012-Z9907	1310	70	11.0	9.0	
	No.3	54013-Z9919	1080	70	13.0	7.3	W/Clip
	No.4	54014-Z9918	820	70	13.0	5.5	
	No.5	54015-Z9909	560	70	13.0	3.6	
	No.6	54016-Z9814	300	70	13.0	1.6	
54010-Z5112	Assy		1300	70		33.9	
	No.1	54011-Z9808	1300	70	11.0	9.6	W/Bush
	No.2	54012-Z9812	1310	70	11.0	9.0	
	No.3	54013-Z9903	1030	70	11.0	5.9	W/Clip
	No.4	54014-Z9904	800	70	11.0	4.5	
	No.5	54015-Z9816	570	70	11.0	3.1	
	No.6	54016-Z9803	340	70	11.0	1.8	
54010-Z5161	Assy		1300	70		27.6	
54010-30Z60	No.1	54111-Z9005	1300	70	11.0	9.6	W/Bush
	No.2	54312-Z900D	1310	70	13.0	10.6	
	No.3	54113-Z9107	840	70	13.0	5.3	W/Clip
	No.4	54114-Z9104	400	70	11.0	2.1	
54010-Z5162	Assy		1300	70		31.2	
54010-30Z01	No.1	54111-Z9006	1300	70	11.0	9.6	W/Bush
	No.2	54112-Z9012	1310	70	13.0	9.0	
	No.3	54113-Z9108	1030	70	13.0	6.8	W/Clip
	No.4	54114-Z9105	670	70	13.0	4.2	
	No.5	54115-Z9013	310	70	11.0	1.6	
54010-Z5163	Assy		1300	70		34.3	
	No.1	54111-Z9106	1300	70	11.0	9.6	W/Bush
	No.2	54112-Z9008	1310	70	11.0	8.9	
	No.3	54113-Z9211	1050	70	13.0	7.1	W/Clip
	No.4	54114-Z9200	740	70	13.0	4.9	
	No.5	54115-Z9105	430	70	11.0	2.4	
	No.6	54116-Z9006	270	70	11.0	1.4	
54010-Z5166	Assy		1300	70		31.2	
	No.1	54111-Z9017	1300	70	11.0	9.6	W/Bush
	No.2	54112-Z9104	1310	70	11.0	9.0	
	No.3	54113-Z9200	1030	70	13.0	6.8	W/Clip
	No.4	54114-Z9111	670	70	13.0	4.2	
	No.5	54115-Z9019	310	70	13.0	1.6	



UD Trucks

www.nakano-sp.co.jp

ASM Number	No. of Leaf	Leaf Number	Span	Width	Thickness	Weight	Add info
54010-Z5203	Assy		1400	80		43.4	
	No.1	54111-Z9200	1400	80	11.0	11.7	W/Bush
	No.2	54112-Z9118	1410	80	11.0	11.0	
	No.3	54113-Z9215	1150	80	13.0	8.8	
	No.4	54114-Z9202	850	80	13.0	6.3	W/Clip
	No.5	54115-Z9107	550	80	13.0	3.9	
	No.6	54116-Z9010	250	80	13.0	1.7	
54010-Z5266	Assy		1300	70		37.7	
	No.1	54111-Z9303	1300	70	11.0	9.6	W/Bush
	No.2	54112-Z9310	1310	70	11.0	9.0	
	No.3	54113-Z9414	1080	70	11.0	6.2	W/Clip
	No.4	54114-Z9316	880	70	11.0	5.0	
	No.5	54115-Z9218	680	70	11.0	3.8	
	No.6	54116-Z9208	480	70	11.0	2.6	
	No.7	54117-Z9018	280	70	11.0	1.5	
54010-Z6070	Assy		1300	70		29.3	
	No.1	54011-99417	1300	70	15.0	10.0	W/Bush
	No.2	54012-99502	1310	70	17.0	10.1	
	No.3	54013-99416	1320	70	17.0	9.2	W/Clip
54010-Z6072	Assy		1300	70		29.3	
	No.1	54211-Z9412	1300	70	15.0	10.0	W/Bush
	No.2	54212-Z9510	1310	70	17.0	10.1	
	No.3	54213-Z9702	1320	70	17.0	9.2	W/Clip
54010-Z6074	Assy		1500	90		51.8	
	No.1	54111-Z9906	1500	90	18.0	18.7	W/Bush
	No.2	54112-Z9917	1510	90	18.0	17.5	
	No.3	54213-Z9200	1520	90	18.0	15.6	W/Clip
54010-Z7002	Assy		1250	90		62.8	
	No.1	54111-Z9615	1250	90	13.0	14.3	W/Bush
	No.2	54112-Z9703	1260	90	13.0	13.4	
	No.3	54113-Z9818	1170	90	22.0	18.2	
	No.4	54114-Z9618	740	90	22.0	11.5	W/Clip
	No.5	54115-Z9508	593	90	13.0	5.4	
54010-06Z67	Assy		1550	90		56.1	
	No.1	54111-NY02E	1550	90	20.0	19.5	W/Bush
	No.2	54112-NY02E	1560	90	21.0	19.4	
	No.3	54113-NY03A	1550	90	21.0	17.2	W/Clip



UD Trucks

www.nakano-sp.co.jp

ASM Number	No. of Leaf	Leaf Number	Span	Width	Thickness	Weight	Add info
54010-06Z70	Assy		1550	90		68.8	
	No.1	54111-NY03C	1550	90	20.0	19.5	W/Bush
	No.2	54112-NY03C	1560	90	21.0	19.4	
	No.3	54113-NY03D	1550	90	14.0	12.7	
	No.4	54114-NY01D	1550	90	21.0	17.2	W/Clip
54010-32Z69	Assy		1250	70		25.8	
	No.1	54211-Z905C	1250	70	14.0	9.4	W/Bush
	No.2	54212-Z906E	1255	70	15.5	8.6	
	No.3	54213-Z904E	1260	70	15.5	7.8	W/Clip
54010-32Z79	Assy		1300	70		28.0	
	No.1	54211-Z9711	1300	70	18.0	10.8	W/Bush
	No.2	54212-Z9804	1310	70	20.0	10.8	
	No.3	54213-Z9914	1310	70	13.0	6.4	W/Clip
54010-33Z09	Assy		1250	70		20.4	
	No.1	54211-Z900C	1250	70	17.0	10.2	W/Bush
	No.2	54212-Z900C	1255	70	19.0	10.2	W/Clip
54010-33Z64	Assy		1300	70		22.0	
	No.1	54211-Z902A	1300	70	18.0	10.7	W/Bush
	No.2	54212-Z902B	1305	70	21.0	11.3	W/Clip



UD Trucks

www.nakano-sp.co.jp

ASM Number	No. of Leaf	Leaf Number	Span	Width	Thickness	Weight	Add info
55020-00Z00	Assy		1500	90		100.8	
	No.1	55121-Z9607	1500	90	20.0	21.2	
	No.2	55122-Z9418	1480	90	22.0	23.0	
	No.3	55123-Z9506	1090	90	22.0	16.9	
	No.4	55124-Z9518	910	90	22.0	14.1	W/Clip
	No.5	55125-Z9507	730	90	22.0	11.3	
	No.6	55126-Z9407	550	90	22.0	8.5	
	No.7	55127-Z9213	370	90	22.0	5.8	
55020-00Z01	Assy		1500	90		107.1	
	No.1	55121-Z9608	1500	90	20.0	21.2	
	No.2	55122-Z9419	1480	90	20.0	20.9	
	No.3	55123-Z9507	1120	90	22.0	17.4	
	No.4	55124-Z9519	950	90	22.0	14.8	
	No.5	55125-Z9508	780	90	22.0	12.1	W/Clip
	No.6	55126-Z9408	610	90	22.0	8.6	
	No.7	55127-Z9214	490	90	22.0	6.9	
55020-00Z04	Assy		1600	90		104.0	
	MNo.1	55121-Z9706	1600	90	13.0	17.9	W/Bush
	MNo.2	55122-Z9517	1610	90	13.0	16.7	
	MNo.3	55123-Z9604	1330	90	14.0	12.5	
	MNo.4	55124-Z9615	1040	90	14.0	9.7	W/Clip
	MNo.5	55125-Z9604	750	90	14.0	6.8	
	MNo.6	55126-Z9502	460	90	13.0	3.7	
	HNo.1	55161-Z9202	1210	90	13.0	11.1	
	HNo.2	55162-Z9113	1170	90	13.0	10.7	
	HNo.3	55163-Z9117	770	90	13.0	6.7	
	HNo.4	55164-Z9113	580	90	13.0	5.0	W/Clip
	HNo.5	55165-Z9018	390	90	13.0	3.2	



UD Trucks

www.nakano-sp.co.jp

ASM Number	No. of Leaf	Leaf Number	Span	Width	Thickness	Weight	Add info
55020-00Z05	Assy		1500	90		118.2	
	No.1	55121-Z9609	1500	90	20.0	21.2	
	No.2	55122-Z9500	1480	90	20.0	20.9	
	No.3	55123-Z9508	1130	90	20.0	16.0	
	No.4	55124-Z9600	1020	90	22.0	15.9	
	No.5	55125-Z9509	870	90	22.0	13.5	W/Clip
	No.6	55126-Z9409	720	90	22.0	11.2	
	No.7	55127-Z9215	570	90	20.0	8.1	
	No.8	55128-Z9103	460	90	20.0	6.5	
	No.9	55029-Z9707	350	90	20.0	4.9	
55020-00Z06	Assy		1485	90		89.6	
	No.1	55121-Z9701	1485	90	14.0	14.7	
	No.2	55122-Z9512	1485	90	16.0	16.8	
	No.3	55123-Z9600	1215	90	16.0	13.7	
	No.4	55124-Z9612	1075	90	16.0	12.2	
	No.5	55125-Z9601	945	90	16.0	10.7	W/Clip
	No.6	55126-Z9419	815	90	14.0	8.1	
	No.7	55127-Z9303	720	90	14.0	7.1	
	No.8	55128-Z9108	640	90	14.0	6.3	
55020-00Z07	Assy		1485	90		99.0	
	No.1	55121-Z9610	1485	90	14.0	14.7	
	No.2	55122-Z9501	1485	90	16.0	16.8	
	No.3	55123-Z9509	1235	90	16.0	14.0	
	No.4	55124-Z9601	1110	90	16.0	12.5	
	No.5	55125-Z9510	995	90	16.0	11.2	
	No.6	55126-Z9410	880	90	14.0	8.7	W/Clip
	No.7	55127-Z9216	790	90	14.0	7.8	
	No.8	55128-Z9104	705	90	14.0	7.0	
	No.9	55029-Z9708	635	90	14.0	6.3	
55020-00Z11	Assy		1150	80		38.3	
	No.1	55021-Z9902	1150	80	13.0	11.2	W/Bush
	No.2	55022-Z9800	1150	80	13.0	9.3	
	No.3	55123-Z9201	770	80	13.0	6.1	
	No.4	55124-Z9210	635	80	13.0	5.0	W/Clip
	No.5	55125-Z9201	500	80	13.0	3.9	
	No.6	55126-Z9110	365	80	13.0	2.8	



UD Trucks

www.nakano-sp.co.jp

ASM Number	No. of Leaf	Leaf Number	Span	Width	Thickness	Weight	Add info
55020-00Z12	Assy		1600	90		98.0	
	MNo.1	55121-Z9611	1600	90	14.0	19.3	W/Bush
	MNo.2	55122-Z9502	1610	90	15.0	19.4	
	MNo.3	55123-Z9510	1200	90	15.0	11.9	W/Clip
	MNo.4	55124-Z9602	840	90	15.0	8.1	
	MNo.5	55125-Z9511	480	90	15.0	4.5	
	HNo.1	55161-Z9113	1140	90	13.0	10.5	
	HNo.2	55162-Z9103	1100	90	13.0	10.1	
	HNo.3	55163-Z9107	740	90	13.0	6.3	W/Clip
	HNo.4	55164-Z9107	520	90	13.0	4.3	
	HNo.5	55165-Z9014	300	90	13.0	2.8	
55020-00Z14	Assy		1600	90		115.5	
	MNo.1	55121-Z9618	1600	90	14.0	19.3	W/Bush
	MNo.2	55122-Z9509	1610	90	14.0	18.1	
	MNo.3	55123-Z9517	1300	90	14.0	12.3	W/Clip
	MNo.4	55124-Z9609	1070	90	14.0	10.0	
	MNo.5	55125-Z9518	840	90	14.0	7.8	W/Clip
	MNo.6	55126-Z9417	610	90	14.0	5.5	
	MNo.7	55127-Z9301	380	90	14.0	3.8	
	HNo.1	55161-Z9114	1140	90	14.0	11.3	
	HNo.2	55162-Z9104	1100	90	15.0	11.7	
	HNo.3	55163-Z9108	690	90	15.0	6.9	
	HNo.4	55164-Z9108	520	90	15.0	5.1	W/Clip
	HNo.5	55165-Z9015	350	90	15.0	3.7	
55020-00Z15	Assy		1600	90		113.9	
	MNo.1	55121-Z9612	1600	90	14.0	19.3	W/Bush
	MNo.2	55122-Z9503	1610	90	14.0	18.1	
	MNo.3	55123-Z9511	1300	90	14.0	12.3	W/Clip
	MNo.4	55124-Z9603	1070	90	14.0	10.0	W/Clip
	MNo.5	55125-Z9512	840	90	14.0	7.8	
	MNo.6	55126-Z9411	610	90	14.0	5.5	
	MNo.7	55127-Z9217	380	90	14.0	3.8	
	HNo.1	55161-Z9115	1140	90	16.0	12.9	
	HNo.2	55162-Z9105	1100	90	16.0	12.4	
	HNo.3	55163-Z9109	720	90	16.0	7.4	W/Clip
	HNo.4	55164-Z9109	450	90	16.0	4.4	



UD Trucks

www.nakano-sp.co.jp

ASM Number	No. of Leaf	Leaf Number	Span	Width	Thickness	Weight	Add info
55020-00Z18	Assy		1380	90		76.0	
	No.1	55121-Z9702	1380	90	16.0	15.6	
	No.2	55122-Z9513	1380	90	16.0	15.6	
	No.3	55123-Z9601	1040	90	18.0	13.2	
	No.4	55124-Z9613	880	90	18.0	11.2	W/Clip
	No.5	55125-Z9602	720	90	18.0	9.2	
	No.6	55126-Z9500	560	90	18.0	7.1	
	No.7	55127-Z9304	360	90	16.0	4.1	
55020-00Z19	Assy		1380	90		91.6	
	No.1	55121-Z9614	1380	90	16.0	15.6	
	No.2	55122-Z9505	1380	90	16.0	15.6	
	No.3	55123-Z9513	1380	90	16.0	15.6	
	No.4	55124-Z9605	1040	90	18.0	13.2	
	No.5	55125-Z9514	880	90	18.0	11.2	W/Clip
	No.6	55126-Z9413	720	90	18.0	9.2	
	No.7	55127-Z9218	560	90	18.0	7.1	
55020-00Z4E	Assy		1510	90		135.4	
	No.1	55121-NY09C	1510	90	34.0	26.5	
	No.2	55122-NY09C	1380	90	34.0	24.7	
	No.3	55123-NY09A	1510	90	34.0	26.5	
	No.4	55124-NY09B	1110	90	34.0	21.0	
	No.5	55125-NY07A	1110	90	34.0	21.0	
	No.6	55126-NY03E	1110	90	26.0	15.7	W/Clip
55020-00Z61	Assy		1500	90		97.9	
	No.1	55121-Z9703	1500	90	18.0	19.1	
	No.2	55122-Z9514	1480	90	18.0	18.8	
	No.3	55123-Z9108	1060	90	18.0	13.5	
	No.4	55124-Z9116	920	90	18.0	11.7	
	No.5	55061-Z9618	770	90	20.0	10.9	W/Clip
	No.6	55062-Z9618	680	90	20.0	9.6	
	No.7	55063-Z9701	580	90	20.0	8.2	
No.8	55064-Z9703	430	90	20.0	6.1		



UD Trucks

www.nakano-sp.co.jp

ASM Number	No. of Leaf	Leaf Number	Span	Width	Thickness	Weight	Add info
55020-00Z64	Assy		1600	90		50.9	
	MNo.1	55121-Z9616	1600	90	14.0	19.3	W/Bush
	MNo.2	55122-Z9507	1610	90	14.0	18.1	
	MNo.3	55123-Z9515	1300	90	14.0	12.3	
	MNo.4	55124-Z9607	1070	90	14.0	10.0	W/Clip
	MNo.5	55125-Z9516	840	90	14.0	7.8	
	MNo.6	55126-Z9415	610	90	14.0	5.5	
	MNo.7	55127-Z9300	380	90	14.0	3.8	
	HNo.1	55161-Z9115	1140	90	16.0	12.9	
	HNo.2	55162-Z9105	1100	90	16.0	12.4	
	HNo.3	55163-Z9109	720	90	16.0	7.4	W/Clip
	HNo.4	55164-Z9109	450	90	16.0	4.4	
55020-00Z66	Assy		1600	90		104.0	
	MNo.1	55211-Z9309	1600	90	14.0	19.3	W/Bush
	MNo.2	55212-Z9210	1610	90	14.0	18.1	
	MNo.3	55213-Z9204	1320	90	16.0	14.2	
	MNo.4	55214-Z9301	1000	90	16.0	10.5	W/Clip
	MNo.5	55215-Z9115	680	90	16.0	5.9	
	MNo.6	55216-Z9917	360	90	14.0	3.2	
	HNo.1	55161-Z9512	1140	90	19.0	10.8	
	HNo.2	55162-Z9502	1100	90	19.0	10.5	
	HNo.3	55163-Z9507	1100	90	19.0	10.5	W/Clip
55020-00Z67	Assy		1600	90		117.2	
	MNo.1	55121-Z9618	1600	90	14.0	19.3	W/Bush
	MNo.2	55122-Z9509	1610	90	14.0	18.1	
	MNo.3	55123-Z9517	1300	90	14.0	12.3	W/Clip
	MNo.4	55124-Z9609	1070	90	14.0	10.0	
	MNo.5	55125-Z9518	840	90	14.0	7.8	W/Clip
	MNo.6	55126-Z9417	610	90	14.0	5.5	
	MNo.7	55127-Z9301	380	90	14.0	3.8	
	HNo.1	55161-Z9118	1140	90	13.0	10.5	
	HNo.2	55162-Z9108	1100	90	13.0	10.1	
	HNo.3	55163-Z9112	750	90	14.0	7.1	
	HNo.4	55164-Z9110	600	90	14.0	5.6	W/Clip
	HNo.5	55165-Z9016	450	90	14.0	4.1	
	HNo.6	55066-Z9411	300	90	14.0	3.0	



UD Trucks

www.nakano-sp.co.jp

ASM Number	No. of Leaf	Leaf Number	Span	Width	Thickness	Weight	Add info
55020-00Z70	Assy		1500	90		113.8	
	No.1	55121-Z9700	1500	90	18.0	19.1	
	No.2	55122-Z9511	1480	90	18.0	18.8	
	No.3	55123-Z9519	1120	90	18.0	14.2	
	No.4	55124-Z9611	1020	90	18.0	13.0	
	No.5	55125-Z9600	920	90	18.0	11.7	
	No.6	55161-Z9200	820	90	20.0	12.7	W/Clip
	No.7	55162-Z9110	670	90	20.0	10.4	
	No.8	55163-Z9114	520	90	20.0	8.1	
	No.9	55164-Z9112	370	90	20.0	5.8	
55020-00Z76	Assy		1500	90		114.3	
	No.1	55121-NY03D	1500	90	20.0	21.2	
	No.2	55122-NY03D	1480	90	20.0	20.9	
	No.3	55023-99405	1120	90	20.0	15.8	
	No.4	55024-99404	990	90	20.0	14.0	
	No.5	55125-NY02D	860	90	20.0	12.2	W/Clip
	No.6	55026-99317	730	90	20.0	10.3	
	No.7	55027-99314	600	90	20.0	8.5	
	No.8	55028-99315	470	90	20.0	6.6	
	No.9	55029-99303	340	90	20.0	4.8	



UD Trucks

www.nakano-sp.co.jp

ASM Number	No. of Leaf	Leaf Number	Span	Width	Thickness	Weight	Add info
55020-00Z78	Assy		1600	90		137.7	
	MNo.1	55121-Z9719	1600	90	13.0	17.9	W/Bush
	MNo.2	55122-Z9606	1610	90	13.0	16.7	
	MNo.3	55123-Z9615	1360	90	13.0	12.1	
	MNo.4	55124-Z9705	1180	90	13.0	10.4	
	MNo.5	55125-Z9613	1000	90	13.0	8.8	W/Clip
	MNo.6	55126-Z9510	820	90	13.0	7.1	
	MNo.7	55127-Z9313	650	90	13.0	5.6	
	MNo.8	55128-Z9114	480	90	13.0	4.0	
	MNo.9	55029-Z9713	310	90	13.0	2.8	
	HNo.1	55161-Z9410	1140	90	12.0	9.7	
	HNo.2	55162-Z9201	1100	90	12.0	9.3	
	HNo.3	55163-Z9206	1100	90	12.0	9.3	
	HNo.4	55164-Z9202	720	90	12.0	6.1	
	HNo.5	55165-Z9104	620	90	12.0	5.3	W/Clip
	HNo.6	55066-Z9415	520	90	12.0	4.4	
	HNo.7	55067-Z9214	420	90	12.0	3.6	
	HNo.8	55068-Z9108	320	90	12.0	2.7	
	HNo.9	55069-Z9012	220	90	12.0	1.9	
55020-00Z7C	Assy		1510	90		95.8	
55020-05Z12	No.1	55121-NY12C	1510	90	33.5	25.7	
	No.2	55122-NY12C	1380	90	33.5	24.0	
	No.3	55123-NY12A	1510	90	33.5	25.7	
	No.4	55124-NY12B	1110	90	33.5	20.4	W/Clip
55020-00Z7D	Assy		1510	90		110.3	
55020-05Z13	No.1	55121-NY09B	1510	90	33.5	25.7	
	No.2	55122-NY09B	1380	90	33.5	24.0	
	No.3	55123-NY08E	1510	90	33.5	25.7	
	No.4	55124-NY09A	1110	90	33.5	20.4	
	No.5	55125-NY06E	1110	90	24.0	14.5	W/Clip



UD Trucks

www.nakano-sp.co.jp

ASM Number	No. of Leaf	Leaf Number	Span	Width	Thickness	Weight	Add info
55020-01Z04	Assy		1600	90		117.6	
	MNo.1	55121-Z9800	1600	90	13.0	17.9	W/Bush
	MNo.2	55122-Z9610	1610	90	13.0	16.7	
	MNo.3	55123-Z9606	1360	90	14.0	12.9	
	MNo.4	55124-Z9706	1140	90	14.0	10.7	W/Clip
	MNo.5	55125-Z9614	920	90	14.0	8.6	
	MNo.6	55126-Z9511	700	90	14.0	6.4	
	MNo.7	55127-Z9314	480	90	13.0	4.0	
	MNo.8	55128-Z9115	290	90	13.0	2.7	
	HNo.1	55161-Z9411	1210	90	13.0	11.1	
	HNo.2	55162-Z9202	1170	90	13.0	10.7	
	HNo.3	55163-Z9207	860	90	13.0	7.4	
	HNo.4	55164-Z9203	630	90	13.0	5.3	W/Clip
	HNo.5	55165-Z9105	400	90	13.0	3.2	
55020-01Z05	Assy		1485	90		92.9	
	No.1	55211-Z9102	1485	90	14.0	14.7	
	No.2	55212-Z9003	1485	90	16.0	16.8	
	No.3	55123-Z9918	1345	90	16.0	15.2	
	No.4	55124-Z9007	1135	90	16.0	12.8	
	No.5	55125-Z9902	985	90	16.0	11.1	W/Clip
	No.6	55126-Z9706	850	90	14.0	8.4	
	No.7	55127-Z9504	745	90	14.0	7.4	
	No.8	55128-Z9300	660	90	14.0	6.5	
55020-01Z07	Assy		1485	90		102.3	
	No.1	55121-Z9918	1485	90	14.0	14.7	
	No.2	55122-Z9709	1485	90	16.0	16.8	
	No.3	55123-Z9813	1360	90	16.0	15.4	
	No.4	55124-Z9902	1160	90	16.0	13.1	
	No.5	55125-Z9719	1040	90	16.0	11.8	W/Clip
	No.6	55126-Z9607	905	90	14.0	9.0	
	No.7	55127-Z9407	810	90	14.0	8.0	
	No.8	55128-Z9204	720	90	14.0	7.1	
	No.9	55029-Z9718	650	90	14.0	6.4	



UD Trucks

www.nakano-sp.co.jp

ASM Number	No. of Leaf	Leaf Number	Span	Width	Thickness	Weight	Add info
55020-01Z09	Assy		1610	90		167.3	
	No.1	55121-Z9915	1610	90	20.0	22.7	
	No.2	55122-Z9706	1610	90	20.0	22.7	
	No.3	55123-Z9810	1610	90	20.0	22.7	
	No.4	55124-Z9819	1220	90	20.0	17.2	
	No.5	55125-Z9717	1110	90	20.0	15.7	
	No.6	55126-Z9605	1000	90	20.0	14.1	
	No.7	55127-Z9405	890	90	20.0	12.6	W/Clip
	No.8	55128-Z9202	780	90	20.0	11.0	
	No.9	55029-Z9716	670	90	20.0	9.5	
	No.10	55030-Z9411	560	90	20.0	7.9	
	No.11	55031-Z9213	450	90	20.0	6.4	
	No.12	55032-Z9105	340	90	20.0	4.8	
55020-01Z13	Assy		1600	90		103.0	
	MNo.1	55211-Z9216	1600	90	14.0	19.3	W/Bush
	MNo.2	55212-Z9117	1610	90	15.0	19.0	
	MNo.3	55213-Z9111	1200	90	15.0	11.9	W/Clip
	MNo.4	55214-Z9208	840	90	15.0	8.1	
	MNo.5	55215-Z9102	480	90	15.0	4.5	
	HNo.1	55161-Z9508	1140	90	12.0	9.7	
	HNo.2	55162-Z9418	1100	90	12.0	9.3	
	HNo.3	55163-Z9503	790	90	13.0	7.3	
	HNo.4	55164-Z9414	640	90	13.0	5.9	W/Clip
	HNo.5	55165-Z9412	490	90	13.0	4.5	
	HNo.6	55066-Z9517	340	90	13.0	3.1	



UD Trucks (REAR)

www.nakano-sp.co.jp

ASM Number	No. of Leaf	Leaf Number	Span	Width	Thickness	Weight	Add info
55020-01Z16	Assy		1600	90		116.4	
	MNo.1	55211-Z9111	1600	90	14.0	19.3	W/Bush
	MNo.2	55212-Z9102	1610	90	14.0	18.1	
	MNo.3	55213-Z9007	1300	90	14.0	12.3	
	MNo.4	55214-Z9017	1070	90	14.0	10.0	
	MNo.5	55125-Z9911	840	90	14.0	7.8	W/Clip
	MNo.6	55126-Z9712	610	90	14.0	5.5	
	MNo.7	55127-Z9511	380	90	14.0	3.8	
	HNo.1	55161-Z9317	1140	90	14.0	10.5	
	HNo.2	55162-Z9407	1100	90	13.0	10.9	
	HNo.3	55163-Z9411	730	90	14.0	6.8	W/Clip
	HNo.4	55164-Z9404	570	90	14.0	5.2	
	HNo.5	55165-Z9303	410	90	14.0	3.7	
	HNo.6	55066-Z9512	250	90	14.0	2.5	
55020-01Z17	Assy		1600	90		115.5	
	MNo.1	55211-Z9217	1600	90	14.0	19.3	W/Bush
	MNo.2	55212-Z9118	1610	90	14.0	18.1	
	MNo.3	55213-Z9112	1300	90	14.0	12.3	
	MNo.4	55214-Z9209	1070	90	14.0	10.0	W/Clip
	MNo.5	55215-Z9103	840	90	14.0	7.8	
	MNo.6	55126-Z9905	610	90	14.0	5.5	
	MNo.7	55127-Z9700	380	90	14.0	3.8	
	HNo.1	55161-Z9509	1140	90	14.0	11.3	
	HNo.2	55162-Z9419	1100	90	15.0	11.7	
	HNo.3	55163-Z9504	690	90	15.0	6.9	
	HNo.4	55164-Z9415	520	90	15.0	5.1	W/Clip
	HNo.5	55165-Z9513	350	90	15.0	3.7	
55020-01Z62	Assy		1540	90		114.1	
	No.1	55211-Z9100	1540	90	20.0	21.8	
	No.2	55212-Z9001	1540	90	20.0	21.8	
	No.3	55213-Z9916	1165	90	22.0	18.1	
	No.4	55214-Z9006	1020	90	22.0	15.9	
	No.5	55215-Z9901	850	90	22.0	12.2	W/Clip
	No.6	55216-Z9705	680	90	22.0	10.6	
	No.7	55127-Z9503	530	90	22.0	7.8	
	No.8	55128-Z9219	340	90	20.0	4.8	



UD Trucks

www.nakano-sp.co.jp

ASM Number	No. of Leaf	Leaf Number	Span	Width	Thickness	Weight	Add info
55020-01Z63	Assy		1540	90		125.7	
	No.1	55211-Z9210	1540	90	20.0	21.8	
	No.2	55212-Z9111	1540	90	20.0	21.8	
	No.3	55213-Z9105	1165	90	22.0	18.1	
	No.4	55214-Z9119	1050	90	22.0	16.3	
	No.5	55215-Z9013	910	90	22.0	14.1	W/Clip
	No.6	55126-Z9816	770	90	22.0	12.0	
	No.7	55127-Z9611	630	90	22.0	9.8	
	No.8	55128-Z9401	490	90	20.0	6.9	
	No.9	55029-Z9902	350	90	20.0	4.9	
55020-01Z64	Assy		1520	90		118.6	
	No.1	55211-Z9211	1520	90	20.0	21.5	
	No.2	55212-Z9112	1520	90	22.0	23.6	
	No.3	55213-Z9106	1150	90	22.0	17.9	
	No.4	55214-Z9200	1010	90	22.0	15.7	
	No.5	55215-Z9014	870	90	22.0	13.5	W/Clip
	No.6	55126-Z9817	730	90	22.0	11.3	
	No.7	55127-Z9612	580	90	22.0	9.0	
	No.8	55128-Z9402	430	90	20.0	6.1	
55020-01Z65	Assy		1520	90		126.9	
	No.1	55211-Z9211	1520	90	20.0	21.5	
	No.2	55212-Z9112	1520	90	22.0	23.6	
	No.3	55213-Z9106	1150	90	22.0	17.9	
	No.4	55214-Z9201	1020	90	22.0	15.9	
	No.5	55215-Z9015	890	90	22.0	13.8	W/Clip
	No.6	55216-Z9818	760	90	22.0	11.8	
	No.7	55127-Z9613	630	90	22.0	9.8	
	No.8	55128-Z9403	500	90	20.0	7.1	
	No.9	55029-Z9903	390	90	20.0	5.5	



UD Trucks

www.nakano-sp.co.jp

ASM Number	No. of Leaf	Leaf Number	Span	Width	Thickness	Weight	Add info
55020-01Z66	Assy		1520	90		130.2	
	No.1	55211-Z9211	1520	90	20.0	21.5	
	No.2	55212-Z9112	1520	90	22.0	23.6	
	No.3	55213-Z9106	1150	90	22.0	17.9	
	No.4	55214-Z9202	1030	90	22.0	16.0	
	No.5	55215-Z9016	910	90	22.0	14.1	W/Clip
	No.6	55126-Z9819	790	90	22.0	12.3	
	No.7	55127-Z9614	670	90	22.0	10.4	
	No.8	55128-Z9404	550	90	22.0	8.5	
	No.9	55029-Z9904	420	90	20.0	5.9	
55020-01Z67	Assy		1520	90		139.7	
	No.1	55211-Z9211	1520	90	20.0	21.5	
	No.2	55212-Z9112	1520	90	22.0	23.6	
	No.3	55213-Z9106	1150	90	22.0	17.9	
	No.4	55214-Z9203	1040	90	22.0	16.2	
	No.5	55215-Z9017	930	90	22.0	14.5	W/Clip
	No.6	55126-Z9900	820	90	22.0	12.7	
	No.7	55127-Z9615	710	90	22.0	11.0	
	No.8	55128-Z9405	600	90	22.0	9.3	
	No.9	55029-Z9905	490	90	22.0	7.6	
No.10	55030-Z9508	380	90	20.0	5.4		
55020-01Z68	Assy		1500	90		119.0	
	No.1	55211-Z9311	1500	90	20.0	21.2	
	No.2	55212-Z9212	1480	90	20.0	20.9	
	No.3	55213-Z9206	1130	90	21.0	16.8	
	No.4	55214-Z9303	990	90	21.0	14.7	
	No.5	55215-Z9117	860	90	21.0	12.8	W/Clip
	No.6	55126-Z9918	730	90	21.0	10.8	
	No.7	55127-Z9712	610	90	21.0	9.1	
	No.8	55128-Z9500	490	90	21.0	7.3	
No.9	55129-Z9002	380	90	20.0	5.4		



UD Trucks

www.nakano-sp.co.jp

ASM Number	No. of Leaf	Leaf Number	Span	Width	Thickness	Weight	Add info
55020-01Z69	Assy		1500	90		122.8	
	No.1	55211-Z9312	1500	90	18.0	19.1	
	No.2	55212-Z9213	1480	90	18.0	18.8	
	No.3	55213-Z9207	1140	90	18.0	14.5	
	No.4	55214-Z9304	1040	90	18.0	13.2	
	No.5	55215-Z9118	940	90	18.0	12.0	
	No.6	55126-Z9919	840	90	18.0	10.7	
	No.7	55161-Z9514	740	90	22.0	11.5	W/Clip
	No.8	55162-Z9504	610	90	22.0	9.5	
	No.9	55163-Z9508	490	90	22.0	7.6	
	No.10	55164-Z9418	380	90	22.0	3.9	
55020-01Z79	Assy		1500	90		106.9	
	No.1	55211-Z9208	1500	90	20.0	21.2	
	No.2	55212-Z9109	1500	90	20.0	21.2	
	No.3	55213-Z9103	1230	90	20.0	14.1	
	No.4	55214-Z9117	960	90	20.0	13.6	W/Clip
	No.5	55215-Z9011	820	90	20.0	11.6	
	No.6	55126-Z9814	690	90	18.0	8.8	
	No.7	55127-Z9609	560	90	18.0	7.1	
	No.8	55128-Z9319	420	90	18.0	5.3	
55020-02Z01	Assy		1430	90		96.7	
	No.1	55211-Z9301	1430	90	18.0	18.2	
	No.2	55212-Z9202	1430	90	18.0	18.2	
	No.3	55213-Z9116	1090	90	20.0	15.4	
	No.4	55214-Z9213	940	90	20.0	13.3	
	No.5	55215-Z9107	790	90	20.0	11.2	W/Clip
	No.6	55126-Z9909	640	90	20.0	9.0	
	No.7	55127-Z9704	500	90	18.0	6.4	
	No.8	55128-Z9412	390	90	18.0	5.0	
55020-02Z05	Assy		1430	90		89.1	
	No.1	55021-99317	1430	90	18.0	18.2	
	No.2	55022-99313	1430	90	20.0	20.2	
	No.3	55023-99312	1090	90	20.0	15.4	
	No.4	55024-99309	920	90	20.0	13.0	W/Clip
	No.5	55025-99305	740	90	20.0	10.5	
	No.6	55026-99219	560	90	18.0	7.1	
	No.7	55027-99302	370	90	18.0	4.7	



UD Trucks

www.nakano-sp.co.jp

ASM Number	No. of Leaf	Leaf Number	Span	Width	Thickness	Weight	Add info
55020-02Z13	Assy		1600	90		119.7	
	MNo.1	55021-99403	1600	90	13.0	17.9	W/Bush
	MNo.2	55022-99400	1610	90	13.0	16.7	
	MNo.3	55023-99318	1360	90	14.0	12.8	
	MNo.4	55024-99314	1140	90	14.0	10.7	W/Clip
	MNo.5	55025-99310	920	90	14.0	8.5	
	MNo.6	55026-99304	700	90	14.0	6.3	
	MNo.7	55027-99307	480	90	13.0	3.9	
	MNo.8	55028-99307	290	90	13.0	2.7	
	HNo.1	55061-99005	1140	90	13.0	10.5	
	HNo.2	55062-99004	1100	90	13.0	10.1	
	HNo.3	55063-99006	750	90	14.0	7.2	
	HNo.4	55064-99005	600	90	14.0	5.7	W/Clip
	HNo.5	55065-99005	450	90	13.0	3.9	
	HNo.6	55066-99005	310	90	13.0	2.8	
	55020-02Z63	Assy		1380	90		82.2
No.1		55121-99000	1380	90	18.0	17.5	
No.2		55122-99000	1380	90	18.0	17.5	
No.3		55123-99000	990	90	18.0	12.6	
No.4		55124-99000	840	90	18.0	10.7	
No.5		55025-99616	690	90	18.0	8.8	W/Clip
No.6		55026-99606	530	90	18.0	6.7	
No.7		55027-99609	380	90	16.0	4.3	
No.8		55028-99513	360	90	16.0	4.1	
55020-02Z70	Assy		1520	90		110.5	
	No.1	55121-99104	1520	90	20.0	21.5	
	No.2	55122-99103	1520	90	22.0	23.6	
	No.3	55123-99102	1110	90	22.0	17.3	
	No.4	55124-99102	950	90	22.0	14.8	
	No.5	55125-99105	790	90	22.0	12.3	W/Clip
	No.6	55126-99005	620	90	20.0	8.8	
	No.7	55127-99004	500	90	20.0	7.1	
	No.8	55028-99518	360	90	20.0	5.1	



UD Trucks

www.nakano-sp.co.jp

ASM Number	No. of Leaf	Leaf Number	Span	Width	Thickness	Weight	Add info
55020-02Z78	Assy		1500	90		119.0	
	No.1	55021-99700	1500	90	20.0	21.2	
	No.2	55022-99614	1480	90	20.0	20.9	
	No.3	55023-99613	1130	90	21.0	16.8	
	No.4	55024-99607	990	90	21.0	14.7	
	No.5	55025-99602	860	90	21.0	12.8	W/Clip
	No.6	55026-99514	730	90	21.0	10.8	
	No.7	55027-99517	610	90	21.0	9.1	
	No.8	55028-99501	490	90	21.0	7.3	
	No.9	55029-99315	380	90	20.0	5.4	
55020-03Z04	Assy		1600	90		104.6	
	MNo.1	55211-Z9309	1600	90	14.0	19.3	W/Bush
	MNo.2	55212-Z9210	1610	90	14.0	18.1	
	MNo.3	55213-Z9204	1320	90	16.0	14.2	
	MNo.4	55124-99007	1000	90	16.0	10.5	W/Clip
	MNo.5	55215-Z9115	680	90	16.0	6.9	
	MNo.6	55126-Z9917	360	90	14.0	3.2	
	HNo.1	55161-Z9512	1140	90	19.0	10.8	
	HNo.2	55062-99015	1140	90	19.0	10.8	
	HNo.3	55063-99019	1140	90	19.0	10.8	W/Clip
55020-03Z12	Assy		1380	90		90.7	
	No.1	55021-99603	1380	90	18.0	17.5	
	No.2	55022-99518	1380	90	18.0	17.5	
	No.3	55023-99519	1040	90	18.0	13.2	
	No.4	55024-99514	930	90	18.0	11.8	W/Clip
	No.5	55025-99508	800	90	18.0	10.2	
	No.6	55026-99500	660	90	18.0	8.4	
	No.7	55027-99502	540	90	18.0	6.9	
	No.8	55028-99413	410	90	18.0	5.2	
55020-03Z14	Assy		1520	90		105.8	
	No.1	55021-99707	1520	90	20.0	21.5	
	No.2	55022-99701	1520	90	20.0	21.5	
	No.3	55023-99700	1140	90	22.0	17.7	
	No.4	55024-99615	960	90	22.0	14.9	
	No.5	55025-99609	760	90	20.0	10.7	W/Clip
	No.6	55026-99601	630	90	20.0	8.9	
	No.7	55027-99604	460	90	18.0	5.8	
	No.8	55028-99508	350	90	18.0	4.5	



UD Trucks

www.nakano-sp.co.jp

ASM Number	No. of Leaf	Leaf Number	Span	Width	Thickness	Weight	Add info
55020-03Z61	Assy		1600	90		123.1	
	MNo.1	55121-99101	1600	90	14.0	19.3	W/Bush
	MNo.2	55122-99101	1610	90	14.0	18.1	
	MNo.3	55123-99100	1600	90	16.0	18.1	
	MNo.4	55124-99111	1310	90	16.0	14.1	W/Clip
	MNo.5	55125-99102	1000	90	16.0	10.6	
	MNo.6	55126-99015	690	90	16.0	7.1	
	MNo.7	55127-99012	380	90	14.0	3.4	
	HNo.1	55061-99102	1140	90	19.0	10.8	
	HNo.2	55062-99108	1140	90	19.0	10.8	
HNo.3	55063-99110	1140	90	19.0	10.8	W/Clip	
55020-03Z73	Assy		1500	90		106.9	
	No.1	55021-99611	1500	90	20.0	21.2	
	No.2	55022-99606	1500	90	20.0	21.2	
	No.3	55023-99606	1280	90	20.0	18.1	
	No.4	55024-99601	960	90	20.0	13.6	
	No.5	55025-99515	820	90	20.0	11.6	W/Clip
	No.6	55026-99507	690	90	18.0	8.8	
	No.7	55027-99510	560	90	18.0	7.1	
No.8	55028-99415	420	90	18.0	5.3		
55020-03Z74	Assy		1500	90		114.1	
	No.1	55021-97612	1500	90	20.0	21.2	
	No.2	55022-99607	1500	90	20.0	21.2	
	No.3	55023-99607	1280	90	20.0	18.1	
	No.4	55024-99602	975	90	20.0	13.8	
	No.5	55025-99516	840	90	20.0	11.9	W/Clip
	No.6	55026-99508	705	90	20.0	10.0	
	No.7	55027-99511	505	90	18.0	7.4	
	No.8	55028-99416	470	90	18.0	6.0	
No.9	55029-99311	350	90	18.0	4.5		
55020-04Z13	Assy		1480	90		88.1	
	No.1	55121-NY204	1480	90	31.0	23.2	
	No.2	55122-NY204	1440	90	31.0	22.7	
	No.3	55123-NY202	1480	90	31.0	23.2	
No.4	55124-NY119	1110	90	31.0	19.0	W/Clip	



UD Trucks

www.nakano-sp.co.jp

ASM Number	No. of Leaf	Leaf Number	Span	Width	Thickness	Weight	Add info
55020-04Z15	Assy		1510	90		98.7	
	No.1	55121-NY205	1510	90	34.0	26.5	
	No.2	55122-NY205	1380	90	34.0	24.7	
	No.3	55123-NY203	1510	90	34.0	26.5	
	No.4	55124-NY200	1110	90	34.0	21.0	W/Clip
55020-04Z16	Assy		1510			98.7	
	No.1	55121-NY209	1510	90	34.0	26.5	
	No.2	55122-NY209	1380	90	34.0	24.7	
	No.3	55123-NY207	1510	90	34.0	26.5	
	No.4	55124-NY204	1110	90	34.0	21.0	W/Clip
55020-04Z66	Assy		1480	90		102.6	
	No.1	55121-NY206	1480	90	32.0	23.8	
	No.2	55122-NY206	1350	90	32.0	22.3	
	No.3	55123-NY204	1480	90	32.0	23.8	
	No.4	55124-NY201	1080	90	32.0	19.0	
	No.5	55125-NY114	1080	90	23.0	13.7	W/Clip
55020-04Z68	Assy		1510	90		114.4	
	No.1	55121-99116	1510	90	34.0	26.5	
	No.2	55122-99115	1380	90	34.0	24.7	
	No.3	55123-99114	1510	90	34.0	26.5	
	No.4	55124-99116	1110	90	34.0	21.0	
	No.5	55125-99107	1110	90	26.0	15.7	W/Clip
55020-04Z69	Assy		1480	90		102.1	
	No.1	55121-NY113	1480	90	31.0	23.2	
	No.2	55122-NY113	1440	90	31.0	22.7	
	No.3	55123-NY111	1480	90	31.0	23.2	
	No.4	55124-NY109	1110	90	31.0	19.0	
	No.5	55125-NY107	1110	90	23.0	14.0	W/Clip
55020-05Z12	Assy		1510	90		95.8	
	No.1	55121-NY03C	1510	90	33.5	25.7	
	No.2	55122-NY03C	1380	90	33.5	24.0	
	No.3	55123-NY03C	1510	90	33.5	25.7	
	No.4	55124-NY03C	1110	90	33.5	20.4	W/Clip



UD Trucks

www.nakano-sp.co.jp

ASM Number	No. of Leaf	Leaf Number	Span	Width	Thickness	Weight	Add info
55020-05Z13	Assy		1510	90		110.3	
	No.1	55121-NY208	1510	90	33.5	25.7	
	No.2	55122-NY208	1380	90	33.5	24.0	
	No.3	55123-NY206	1510	90	33.5	25.7	
	No.4	55124-NY203	1110	90	33.5	20.4	
	No.5	55125-NY116	1110	90	24.0	14.5	W/Clip
55020-05Z68	Assy		1380	90		86.5	
	No.1	55121-NY100	1380	90	28.0	19.8	
	No.2	55122-NY100	1250	90	28.0	18.3	
	No.3	55123-NY018	1380	90	28.0	19.8	
	No.4	55124-NY017	1040	90	28.0	16.0	
	No.5	55125-NY017	1040	90	19.0	12.6	W/Clip
55020-06Z05	Assy		1500	90		113.8	
	No.1	55121-NY02A	1500	90	18.0	19.1	
	No.2	55122-NY02A	1480	90	18.0	18.8	
	No.3	55123-NY02A	1120	90	18.0	14.2	
	No.4	55124-NY02A	1020	90	18.0	13.0	
	No.5	55125-NY01C	920	90	18.0	11.7	
	No.6	55061-NY00B	820	90	22.0	12.7	W/Clip
	No.7	55062-NY00B	670	90	22.0	10.4	
	No.8	55063-NY00B	520	90	22.0	8.1	
	No.9	55064-NY00B	370	90	22.0	5.8	
55020-06Z06	Assy		1500	90		122.8	
	No.1	55121-NY104	1500	90	18.0	19.1	
	No.2	55122-NY104	1480	90	18.0	18.8	
	No.3	55123-NY102	1140	90	18.0	14.5	
	No.4	55124-NY100	1040	90	18.0	13.2	
	No.5	55125-NY100	940	90	18.0	12.0	
	No.6	55126-NY018	840	90	18.0	10.7	
	No.7	55061-NY007	740	90	22.0	11.5	W/Clip
	No.8	55062-NY007	610	90	22.0	9.5	
	No.9	55063-NY007	490	90	22.0	7.6	
	No.10	55064NY001	380	90	22.0	5.9	



UD Trucks

www.nakano-sp.co.jp

ASM Number	No. of Leaf	Leaf Number	Span	Width	Thickness	Weight	Add info
55020-06Z07	Assy		1500	90		142.5	
	No.1	55121-NY119	1500	90	19.0	120.1	
	No.2	55122-NY119	1480	90	19.0	19.9	
	No.3	55123-NY117	1140	90	19.0	15.3	
	No.4	55124-NY115	1070	90	19.0	14.4	
	No.5	55125-NY111	1000	90	19.0	13.4	
	No.6	55126-NY105	930	90	19.0	12.5	
	No.7	55127-NY105	850	90	22.0	13.2	W/Clip
	No.8	55028-NY102	730	90	22.0	11.3	
	No.9	55029-NY017	600	90	22.0	9.3	
	No.10	55030-NY011	480	90	22.0	7.5	
	No.11	55031-NY012	360	90	22.0	5.6	
55020-06Z09	Assy		1500	90		135.1	
	No.1	55121-NY116	1500	90	18.0	19.1	
	No.2	55122-NY116	1840	90	18.0	18.8	
	No.3	55123-NY114	1140	90	18.0	14.5	
	No.4	55124-NY112	1070	90	18.0	13.6	
	No.5	55125-NY109	1000	90	18.0	12.7	
	No.6	55126-NY104	930	90	21.0	11.8	
	No.7	55127-NY103	850	90	21.0	12.6	W/Clip
	No.8	55028-NY100	720	90	21.0	10.7	
	No.9	55029-NY015	600	90	21.0	8.9	
	No.10	55030-NY010	480	90	21.0	7.1	
	No.11	55031-NY011	360	90	21.0	5.3	
55020-06Z10	Assy		1500	90		107.1	
	No.1	55121-NY200	1500	90	20.0	21.2	
	No.2	55122-NY200	1480	90	20.0	20.9	
	No.3	55123-NY118	1120	90	22.0	17.4	
	No.4	55124-NY116	950	90	22.0	14.8	
	No.5	55125-NY112	780	90	22.0	12.1	W/Clip
	No.6	55126-NY106	610	90	20.0	8.6	
	No.7	55127-NY102	490	90	20.0	6.9	
	No.8	55025-NY019	370	90	20.0	5.2	



UD Trucks

www.nakano-sp.co.jp

ASM Number	No. of Leaf	Leaf Number	Span	Width	Thickness	Weight	Add info
55021-06Z11	Assy		1500	90		119.0	
	No.1	55121-NY105	1500	90	20.0	21.2	
	No.2	55122-NY105	1480	90	20.0	20.9	
	No.3	55123-NY103	1130	90	21.0	16.8	
	No.4	55124-NY101	990	90	21.0	14.7	
	No.5	55125-NY101	860	90	21.0	12.8	W/Clip
	No.6	55126-NY109	730	90	21.0	10.8	
	No.7	55127-NY016	610	90	21.0	9.1	
	No.8	55028-NY013	490	90	21.0	7.3	
	No.9	55029-NY010	380	90	20.0	5.4	
55020-06Z75	Assy		1510	90		109.3	
	No.1	55121-NY01D	1510	90	33.5	25.2	
	No.2	55122-NY01D	1380	90	33.5	23.5	
	No.3	55123-NY01D	1510	90	33.5	26.9	
	No.4	55124-NY01D	1120	90	33.5	19.7	
	No.5	55125-NY01B	1120	90	23.0	14.0	W/Clip
55020-07Z34	Assy		1730	100		278.9	
	No.1	55121-NY05B	1730	100	22.0	29.9	
	No.2	55122-NY05B	1730	100	22.0	29.9	
	No.3	55123-NY03D	1730	100	25.0	34.0	
	No.4	55124-NY03D	1300	100	25.0	25.5	
	No.5	55125-NY02A	1210	100	25.0	23.7	
	No.6	55126-NY00D	1120	100	25.0	22.0	
	No.7	55127-NY00D	1030	100	25.0	20.2	
	No.8	55028-NY00C	940	100	25.0	18.4	
	No.9	55029-NY00C	940	100	25.0	18.4	W/Clip
	No.10	55030-NY00C	760	100	25.0	14.9	
	No.11	55031-NY00C	670	100	25.0	13.1	
	No.12	55032-NY00B	580	100	25.0	11.4	
	No.13	55033-NY00A	490	100	25.0	9.6	
	No.14	55034-NY00A	400	100	25.0	7.9	



UD Trucks

www.nakano-sp.co.jp

ASM Number	No. of Leaf	Leaf Number	Span	Width	Thickness	Weight	Add info
55020-07Z4G	Assy		1730	100		278.9	
	No.1	55121-NY07C	1730	100	22.0	29.9	
	No.2	55122-NY07C	1730	100	22.0	29.9	
	No.3	55123-NY07A	1730	100	25.0	34.0	
	No.4	55124-NY07B	1300	100	25.0	25.5	
	No.5	55125-NY05A	1210	100	25.0	23.7	
	No.6	55126-NY02C	1120	100	25.0	22.0	
	No.7	55127-NY03A	1030	100	25.0	20.2	
	No.8	55028-NY01B	940	100	25.0	18.4	
	No.9	55029-NY01A	940	100	25.0	18.4	W/Clip
	No.10	55030-NY01A	760	100	25.0	14.9	
	No.11	55031-NY01A	670	100	25.0	13.1	
	No.12	55032-NY00D	580	100	25.0	11.4	
	No.13	55033-NY00C	490	100	25.0	9.6	
	No.14	55034-NY00B	400	100	25.0	7.9	
55020-07Z5F	Assy		1730	100		314.3	
	No.1	55121-NY07D	1730	100	22.0	29.9	
	No.2	55122-NY07D	1730	100	22.0	29.9	
	No.3	55123-NY07B	1730	100	25.0	34.0	
	No.4	55124-NY07C	1300	100	25.0	25.5	
	No.5	55125-NY05B	1230	100	25.0	24.1	
	No.6	55126-NY02D	1160	100	25.0	22.8	
	No.7	55127-NY03B	1090	100	25.0	21.4	
	No.8	55028-NY01C	1020	100	25.0	200.0	
	No.9	55029-NY01B	950	100	25.0	18.6	
	No.10	55030-NY01B	950	100	25.0	18.6	W/Clip
	No.11	55031-NY01B	790	100	25.0	15.5	
	No.12	55032-NY00E	710	100	25.0	13.9	
	No.13	55033-NY00D	630	100	25.0	12.4	
	No.14	55034-NY00C	550	100	25.0	10.8	
	No.15	55035-NY00A	470	100	25.0	9.2	
	No.16	55036-NY00A	390	100	25.0	7.7	



UD Trucks

www.nakano-sp.co.jp

ASM Number	No. of Leaf	Leaf Number	Span	Width	Thickness	Weight	Add info
55020-30Z01	Assy		1300	70		54.2	
	MNo.1	55121-Z9816	1300	70	11.0	9.6	W/Bush
	MNo.2	55122-Z9805	1305	70	11.0	8.9	
	MNo.3	55123-Z9711	1060	70	13.0	7.1	
	MNo.4	55124-Z9801	760	70	13.0	4.9	W/Clip
	MNo.5	55125-Z9705	460	70	13.0	2.8	
	HNo.1	55161-Z9302	1030	70	10.0	5.7	
	HNo.2	55162-Z9312	900	70	12.0	5.9	
	HNo.3	55163-Z9316	690	70	12.0	4.3	
	HNo.4	55164-Z9311	510	70	12.0	3.1	W/Clip
	HNo.5	55165-Z9211	330	70	12.0	1.9	
55020-30Z03	Assy		1300	70		49.1	
	MNo.1	55121-Z9818	1300	70	11.0	9.6	W/Bush
	MNo.2	55122-Z9807	1310	70	14.0	11.5	
	MNo.3	55123-Z9713	840	70	14.0	5.4	W/Clip
	MNo.4	55124-Z9803	320	70	11.0	1.7	
	HNo.1	55161-Z9206	1030	70	12.0	6.8	
	HNo.2	55162-Z9215	900	70	12.0	5.9	
	HNo.3	55163-Z9300	640	70	12.0	3.9	W/Clip
	HNo.4	55164-Z9216	440	70	11.0	2.5	
	HNo.5	55165-Z9117	300	70	11.0	1.8	
55020-30Z04	Assy		1300	70		49.1	
	MNo.1	55121-Z9819	1300	70	11.0	9.6	W/Bush
	MNo.2	55122-Z9808	1310	70	14.0	11.5	
	MNo.3	55123-Z9714	840	70	14.0	5.4	W/Clip
	MNo.4	55124-Z9804	320	70	11.0	1.7	
	HNo.1	55161-Z9207	1030	70	12.0	6.8	
	HNo.2	55162-Z9216	900	70	12.0	5.9	
	HNo.3	55163-Z9301	640	70	12.0	3.9	W/Clip
	HNo.4	55164-Z9217	440	70	11.0	2.5	
	HNo.5	55165-Z9118	300	70	11.0	1.8	



UD Trucks

www.nakano-sp.co.jp

ASM Number	No. of Leaf	Leaf Number	Span	Width	Thickness	Weight	Add info
55020-30Z08	Assy		1300	70		68.9	
	MNo.1	55121-Z9906	1300	70	11.0	9.6	W/Bush
	MNo.2	55122-Z9818	1310	70	11.0	8.9	
	MNo.3	55123-Z9802	1080	70	11.0	6.3	
	MNo.4	55124-Z9811	930	70	11.0	5.4	W/Clip
	MNo.5	55125-Z9711	780	70	11.0	4.5	
	MNo.6	55126-Z9601	630	70	11.0	3.6	
	MNo.7	55127-Z9403	480	70	11.0	2.7	
	MNo.8	55128-Z9201	330	70	11.0	1.8	
	HNo.1	55161-Z9213	1030	70	11.0	6.2	
	HNo.2	55162-Z9303	900	70	11.0	5.4	
	HNo.3	55163-Z9307	740	70	11.0	4.3	
	HNo.4	55164-Z9302	620	70	11.0	3.6	W/Clip
	HNo.5	55165-Z9204	500	70	11.0	2.9	
	HNo.6	55066-Z9500	380	70	11.0	2.1	
	HNo.7	55067-Z9218	260	70	11.0	1.6	
55020-30Z0A	Assy		1440	70		50.6	
	MNo.1	55211-Z900C	1440	70	12.0	10.5	W/Bush
	MNo.2	55212-Z900C	1440	70	14.0	12.3	
	MNo.3	55213-Z900C	860	70	14.0	6.0	W/Clip
	MNo.4	55214-Z900C	440	70	12.0	2.7	
	HNo.1	55161-Z9610	1000	70	11.0	6.0	
	HNo.2	55162-Z9605	900	70	11.0	5.4	
	HNo.3	55163-Z9607	640	70	11.0	3.7	
	HNo.4	55164-Z9513	480	70	10.0	2.4	W/Clip
	HNo.5	55165-Z9316	320	70	10.0	1.6	



UD Trucks

www.nakano-sp.co.jp

ASM Number	No. of Leaf	Leaf Number	Span	Width	Thickness	Weight	Add info
55020-30Z11	Assy		1600	80		99.6	
	MNo.1	55121-Z9910	1600	80	13.0	15.6	W/Bush
	MNo.2	55122-Z9701	1610	80	13.0	14.7	
	MNo.3	55123-Z9805	1340	80	14.0	11.3	
	MNo.4	55124-Z9814	1100	80	14.0	9.2	W/Clip
	MNo.5	55125-Z9714	860	80	14.0	7.1	
	MNo.6	55126-Z9604	620	80	14.0	4.9	
	MNo.7	55127-Z9404	380	80	14.0	3.3	
	HNo.1	55161-Z9216	1150	80	12.0	8.7	
	HNo.2	55162-Z9306	1110	80	12.0	8.4	
	HNo.3	55163-Z9310	780	80	12.0	5.9	W/Clip
	HNo.4	55164-Z9305	620	80	12.0	4.7	
	HNo.5	55165-Z9206	460	80	12.0	3.5	
	HNo.6	55066-Z9501	300	80	12.0	2.3	
55020-30Z14	Assy		1300	70		49.1	
	MNo.1	55121-Z9911	1300	70	11.0	9.6	W/Bush
	MNo.2	55122-Z9702	1310	70	14.0	11.5	
	MNo.3	55123-Z9806	840	70	14.0	5.4	W/Clip
	MNo.4	55124-Z9815	320	70	11.0	1.7	
	HNo.1	55161-Z9217	1030	70	10.0	5.7	
	HNo.2	55162-Z9307	900	70	12.0	5.9	
	HNo.3	55163-Z9311	690	70	12.0	4.3	
	HNo.4	55164-Z9306	510	70	12.0	3.1	
	HNo.5	55165-Z9202	330	70	12.0	1.9	
55020-30Z60	Assy		1300	70		63.3	
	MNo.1	55211-Z9000	1300	70	11.0	9.6	W/Bush
	MNo.2	55122-Z9712	1310	70	11.0	8.9	
	MNo.3	55123-Z9816	1040	70	11.0	6.0	
	MNo.4	55124-Z9906	870	70	11.0	5.0	W/Clip
	MNo.5	55125-Z9802	700	70	11.0	4.0	
	MNo.6	55126-Z9611	530	70	11.0	2.9	
	MNo.7	55127-Z9409	360	70	11.0	1.9	
	HNo.1	55161-Z9305	1030	70	11.0	6.2	
	HNo.2	55162-Z9315	930	70	11.0	5.6	
	HNo.3	55163-Z900D	720	70	11.0	4.2	W/Clip
	HNo.4	55164-Z9314	590	70	11.0	3.4	
	HNo.5	55165-Z9214	460	70	11.0	2.6	
	HNo.6	55066-Z9504	330	70	11.0	1.8	
	HNo.7	55067-Z9219	200	70	11.0	1.2	



UD Trucks

www.nakano-sp.co.jp

ASM Number	No. of Leaf	Leaf Number	Span	Width	Thickness	Weight	Add info
55020-30Z72	Assy		1600	80		108.6	
	MNo.1	55211-Z9207	1600	80	13.0	15.6	W/Bush
	MNo.2	55212-Z9108	1610	80	13.0	14.7	
	MNo.3	55213-Z9102	1350	80	14.0	11.4	
	MNo.4	55214-Z9116	1130	80	14.0	9.5	W/Clip
	MNo.5	55215-Z9010	910	80	14.0	7.6	
	MNo.6	55216-Z9813	690	80	14.0	5.6	
	MNo.7	55217-Z9608	470	80	13.0	3.5	
	MNo.8	55218-Z9318	290	80	13.0	2.4	
	HNo.1	55161-Z9507	1150	80	13.0	9.4	
	HNo.2	55162-Z9417	1110	80	12.0	8.4	
	HNo.3	55163-Z9501	780	80	12.0	5.9	
	HNo.4	55164-Z9413	660	80	12.0	5.0	W/Clip
	HNo.5	55165-Z9411	540	80	12.0	4.1	
	HNo.6	55066-Z9518	420	80	12.0	3.2	
	HNo.7	55067-Z9305	300	80	12.0	2.3	
55020-31Z00	Assy		1300	70		69.7	
	MNo.1	55211-Z9307	1300	70	11.0	9.6	W/Bush
	MNo.2	55212-Z9208	1310	70	11.0	8.9	
	MNo.3	55213-Z9202	1080	70	11.0	6.3	
	MNo.4	55214-Z9219	930	70	11.0	5.4	W/Clip
	MNo.5	55215-Z9113	780	70	11.0	4.5	
	MNo.6	55126-Z9915	630	70	11.0	3.6	
	MNo.7	55127-Z9710	480	70	11.0	2.7	
	MNo.8	55128-Z9418	330	70	11.0	1.8	
	HNo.1	55161-Z9511	1030	70	9.0	5.1	
	HNo.2	55162-Z9501	900	70	9.0	4.5	
	HNo.3	55163-Z9506	770	70	9.0	3.8	
	HNo.4	55164-Z9417	680	70	9.0	3.4	
	HNo.5	55165-Z9515	590	70	9.0	2.9	W/Clip
	HNo.6	55066-Z9600	500	70	9.0	2.5	
	HNo.7	55067-Z9306	410	70	9.0	2.0	
	HNo.8	55068-Z9113	320	70	9.0	1.6	
	HNo.9	55069-Z9015	230	70	9.0	1.1	



UD Trucks

www.nakano-sp.co.jp

ASM Number	No. of Leaf	Leaf Number	Span	Width	Thickness	Weight	Add info
55020-31Z10	Assy		1440	70		51.6	
	MNo.1	55211-Z9415	1440	70	12.0	10.5	W/Bush
	MNo.2	55212-Z9317	1440	70	14.0	12.3	
	MNo.3	55213-Z9313	860	70	14.0	6.0	W/Clip
	MNo.4	55214-Z9409	440	70	12.0	2.7	
	HNo.1	55161-Z9608	1000	70	11.0	6.0	
	HNo.2	55162-Z9601	900	70	12.0	5.9	
	HNo.3	55163-Z9604	670	70	11.0	3.8	
	HNo.4	55164-Z9510	490	70	11.0	2.7	
	HNo.5	55165-Z9313	310	70	11.0	1.7	
55020-31Z12	Assy		1440	70		56.8	
	MNo.1	55211-Z9414	1440	70	12.0	10.5	W/Bush
	MNo.2	55212-Z9316	1440	70	12.0	10.8	
	MNo.3	55213-Z9312	1090	70	13.0	7.4	
	MNo.4	55214-Z9408	790	70	13.0	5.2	W/Clip
	MNo.5	55215-Z9209	490	70	12.0	23.8	
	HNo.1	55161-Z9607	1000	70	11.0	6.0	
	HNo.2	55162-Z9600	900	70	12.0	5.9	
	HNo.3	55163-Z9603	670	70	11.0	3.8	
	HNo.4	55164-Z9509	440	70	11.0	2.7	W/Clip
	HNo.5	55165-Z9312	310	70	11.0	1.7	
55020-31Z14	Assy		1440	70			
	MNo.1	55211Z-9417	1440	70	12.0	10.5	W/Bush
	MNo.2	55212-Z9319	1440	70	12.0	10.8	
	MNo.3	55213-Z9315	1090	70	13.0	7.4	
	MNo.4	55214Z-9411	790	70	13.0	5.2	W/Clip
	MNo.5	55215-Z9210	490	70	12.0	2.8	
	HNo.1	55161-Z9609	1000	70	11.0	6.0	
	HNo.2	55162-Z9604	900	70	13.0	6.4	
	HNo.3	55163-Z9606	660	70	11.0	3.8	
	HNo.4	55164-Z9512	520	70	11.0	3.0	W/Clip
	HNo.5	55165-Z9315	380	70	11.0	2.1	
	HNo.6	55066-Z9605	240	70	11.0	1.5	



UD Trucks

www.nakano-sp.co.jp

ASM Number	No. of Leaf	Leaf Number	Span	Width	Thickness	Weight	Add info
55020-31Z15	Assy		1440	70		50.6	
	MNo.1	55211-Z9418	1440	70	12.0	10.5	W/Bush
	MNo.2	55212-Z9400	1440	70	14.0	12.3	
	MNo.3	55213-Z9316	860	70	14.0	6.0	W/Clip
	MNo.4	55214-Z9412	440	70	12.0	2.7	
	HNo.1	55161-Z9610	1000	70	11.0	6.0	
	HNo.2	55162-Z9605	900	70	11.0	5.4	
	HNo.3	55163-Z9607	640	70	11.0	3.7	
	HNo.4	55164-Z9513	480	70	10.0	2.4	W/Clip
	HNo.5	55165-Z9516	320	70	10.0	1.6	
55020-31Z16	Assy		1440	70			
	MNo.1	55211-Z9419	1440	70	12.0	10.5	W/Bush
	MNo.2	55212-Z9401	1440	70	14.0	12.3	
	MNo.3	55213-Z9317	860	70	14.0	6.0	W/Clip
	MNo.4	55214-Z9413	440	70	12.0	2.7	
	HNo.1	55161-Z9611	1000	70	11.0	6.0	
	HNo.2	55162-Z9606	900	70	11.0	5.4	
	HNo.3	55163-Z9608	640	70	11.0	3.7	
	HNo.4	55164-Z9514	480	70	10.0	2.4	W/Clip
	HNo.5	55165-Z9317	320	70	10.0	1.6	
55020-31Z66	Assy		1440	70		64.9	
	MNo.1	55211-Z9506	1440	70	12.0	10.5	W/Bush
	MNo.2	55212-Z9409	1440	70	12.0	10.8	
	MNo.3	55213-Z9405	1060	70	13.0	7.3	
	MNo.4	55214-Z9501	800	70	13.0	5.4	W/Clip
	MNo.5	55215-Z9216	540	70	11.0	3.1	
	MNo.6	55216-Z9008	380	70	11.0	2.1	
	HNo.1	55161-Z9617	1000	70	9.0	4.9	
	HNo.2	55162-Z9612	1000	70	9.0	4.9	
	HNo.3	55163-Z9614	900	70	12.0	5.9	
	HNo.4	55164-Z9600	700	70	12.0	4.3	W/Clip
	HNo.5	55165-Z9403	500	70	12.0	3.0	
	HNo.6	55066-Z9610	300	70	9.0	1.5	
	HNo.7	55067-Z9309	240	70	9.0	1.2	



UD Trucks

www.nakano-sp.co.jp

ASM Number	No. of Leaf	Leaf Number	Span	Width	Thickness	Weight	Add info
55020-31Z71	Assy		1380	90		77.9	
	No.1	55211-Z9700	1380	90	16.0	15.6	
	No.2	55212-Z9605	1380	90	16.0	15.6	
	No.3	55213-Z9602	1040	90	18.0	13.2	
	No.4	55214-Z9618	880	90	18.0	11.2	W/Clip
	No.5	55215-Z9407	710	90	18.0	9.0	
	No.6	55216-Z9110	540	90	18.0	6.9	
	No.7	55127-Z9813	500	90	18.0	6.4	
55020-31Z72	Assy		1380	90		83.6	
	No.1	55211-Z9702	1380	90	16.0	15.6	
	No.2	55212-Z9607	1380	90	18.0	17.5	
	No.3	55213-Z9603	1040	90	18.0	13.2	
	No.4	55214-Z9619	890	90	18.0	11.3	W/Clip
	No.5	55215-Z9408	740	90	18.0	9.4	
	No.6	55216-Z9111	590	90	18.0	7.5	
	No.7	55217-Z9814	440	90	16.0	5.0	
	No.8	55218-Z9507	360	90	16.0	4.1	
55020-31Z76	Assy		1440	60			
	MNo.1	55211-Z9614	1440	60	14.0	12.2	W/Bush
	MNo.2	55212-Z9518	1440	60	15.0	13.8	
	MNo.3	55213-Z9516	1300	60	9.0	5.5	
	MNo.4	55214-Z9612	770	60	15.0	4.9	W/Clip
	MNo.5	55215-Z9401	380	60	12.0	1.9	
	HNo.1	55161-Z9806	1000	60	11.0	5.2	
	HNo.2	55162-Z9801	880	60	13.0	5.4	
	HNo.3	55163-Z9804	660	60	13.0	3.8	W/Clip
	HNo.4	55164-Z9709	430	60	11.0	2.1	
	HNo.5	55165-Z9605	300	60	11.0	1.4	



UD Trucks

www.nakano-sp.co.jp

ASM Number	No. of Leaf	Leaf Number	Span	Width	Thickness	Weight	Add info
55020-32Z00	Assy		1600	80		111.2	
	MNo.1	55211-Z9511	1600	80	14.0	16.8	W/Bush
	MNo.2	55212-Z902C	1600	80	14.0	15.8	
	MNo.3	55213-Z9411	1330	80	15.0	12.2	
	MNo.4	55214-Z9507	1120	80	15.0	10.2	W/Clip
	MNo.5	55215-Z9302	910	80	14.0	7.6	
	MNo.6	55216-Z9014	700	80	14.0	5.8	
	MNo.7	55127-Z9719	490	80	14.0	3.9	
	HNo.1	55161-Z9703	1150	80	14.0	10.1	
	HNo.2	55162-Z9618	1110	80	14.0	9.8	
	HNo.3	55163-Z901A	800	80	14.0	6.8	W/Clip
	HNo.4	55164-Z9606	640	80	14.0	5.4	
	HNo.5	55165-Z9408	480	80	14.0	4.0	
	HNo.6	55066-Z9613	320	80	14.0	2.8	
55020-32Z09	Assy		1440	60			
	MNo.1	55211-Z9613	1440	60	14.0	12.2	W/Bush
	MNo.2	55212-Z9517	1440	60	15.0	13.8	
	MNo.3	55213-Z9515	770	60	15.0	4.9	W/Clip
	MNo.4	55214-Z9611	380	60	12.0	1.9	
	HNo.1	55161-Z900B	990	60	11.0	5.1	
	HNo.2	55162-Z9801	880	60	13.0	5.4	
	HNo.3	55163-Z9804	660	60	13.0	3.8	W/Clip
	HNo.4	55164-Z9709	430	60	11.0	2.1	
	HNo.5	55165-Z9605	300	60	11.0	1.4	
55020-50Z00	Assy		1500	90		165.7	
	No.1	55020-50Z00-01	1500	90	18.0	19.1	
	No.2	55020-50Z00-02	1480	90	18.0	18.8	
	No.3	55020-50Z00-03	1480	90	18.0	18.8	
	No.4	55020-50Z00-04	1130	90	18.0	14.4	
	No.5	55020-50Z00-05	1060	90	18.0	13.5	
	No.6	55020-50Z00-06	990	90	18.0	12.6	
	No.7	55020-50Z00-07	910	90	18.0	11.6	
	No.8	55020-50Z00-08	830	90	18.0	10.6	W/Clip
	No.9	55020-50Z00-09	740	90	18.0	9.4	
	No.10	55020-50Z00-10	660	90	18.0	8.4	
	No.11	55020-50Z00-11	590	90	18.0	7.5	
	No.12	55020-50Z00-12	520	90	18.0	6.6	
	No.13	55020-50Z00-13	450	90	18.0	5.7	
	No.14	55020-50Z00-14	380	90	18.0	4.8	
	No.15	55020-50Z00-15	310	90	18.0	3.9	



UD Trucks

www.nakano-sp.co.jp

ASM Number	No. of Leaf	Leaf Number	Span	Width	Thickness	Weight	Add info
55020-90061	Assy		1660	90		91.1	
	No.1	55020-90061-01	1660	90	13.0	18.4	W/Bush
	No.2	55020-90061-02	1680	90	13.0	17.2	
	No.3	55020-90061-03	1500	90	16.0	16.2	
	No.4	55020-90061-04	1240	90	16.0	13.2	
	No.5	55020-90061-05	980	90	16.0	10.3	W/Clip
	No.6	55020-90061-06	720	90	16.0	7.4	
	No.7	55020-90061-07	615	90	13.0	5.6	
	No.8	55020-90061-08	300	90	13.0	2.8	
55020-90062	Assy		1660	90		91.2	
	No.1	55021-99109	1660	90	13.0	18.4	W/Bush
	No.2	55022-99105	1680	90	13.0	17.3	
	No.3	55023-99109	1500	90	16.0	16.2	
	No.4	55024-99106	1240	90	16.0	13.2	
	No.5	55025-99106	980	90	16.0	10.3	W/Clip
	No.6	55026-99102	720	90	16.0	7.4	
	No.7	55027-99103	615	90	13.0	5.6	
	No.8	55028-99107	300	90	13.0	2.8	
55020-90073	Assy		1400	80		94.1	
	MNo.1	55021-99207	1400	80	11.0	11.6	W/Bush
	MNo.2	55022-99202	1410	80	11.0	10.9	
	MNo.3	55023-99205	1232	80	11.0	8.5	
	MNo.4	55024-99201	1112	80	11.0	7.7	W/Clip
	MNo.5	55025-99203	994	80	11.0	6.9	
	MNo.6	55026-99118	872	80	11.0	6.0	
	MNo.7	55027-99119	764	80	11.0	5.3	W/Clip
	MNo.8	55028-99203	648	80	11.0	4.5	
	MNo.9	55029-99117	534	80	11.0	3.7	
	MNo.10	55030-99111	420	80	11.0	2.9	
	MNo.11	55031-99105	308	80	11.0	2.1	
	MNo.12	55032-99100	200	80	11.0	1.4	
	HNo.1	55061-99003	1000	80	9.0	5.7	
	HNo.2	55062-99002	960	80	9.0	5.4	
	HNo.3	55063-99004	732	80	9.0	4.1	
	HNo.4	55064-99003	584	80	9.0	3.3	W/Clip
	HNo.5	55065-99003	436	80	9.0	2.5	
HNo.6	55066-99003	288	80	9.0	1.6		



UD Trucks

www.nakano-sp.co.jp

ASM Number	No. of Leaf	Leaf Number	Span	Width	Thickness	Weight	Add info
55020-90168	Assy		1660	90		126.4	
	No.1	55020-90168-01	1660	90	16.0	22.9	W/Bush
	No.2	55020-90168-02	1680	90	13.0	18.0	
	No.3	55020-90168-03	1510	90	15.0	15.7	
	No.4	55020-90168-04	1360	90	15.0	14.1	
	No.5	55020-90168-05	1210	90	15.0	12.5	W/Clip
	No.6	55020-90168-06	1060	90	15.0	10.9	
	No.7	55020-90168-07	910	90	15.0	9.3	
	No.8	55020-90168-08	760	90	14.0	7.3	W/Clip
	No.9	55020-90168-09	630	90	14.0	6.0	
	No.10	55020-90168-10	638	90	14.0	6.3	
	No.11	55020-90168-11	340	90	14.0	3.4	
55020-90176	Assy		1660	90		81.7	
	No.1	55021-99309	1660	90	22.0	22.2	
	No.2	55022-99305	1680	90	22.0	21.1	
	No.3	55023-99304	1680	90	22.0	19.2	
	No.4	55024-99300	1680	90	22.0	19.2	W/Clip
55020-Z0061	Assy		1600				
	MNo.1	55021-Z9408	1600	90	13.0	17.9	W/Bush
	MNo.2	55022-Z9316	1605	90	13.0	16.7	
	MNo.3	55023-Z9401	1330	90	14.0	12.5	
	MNo.4	55024-Z9402	1040	90	14.0	9.6	W/Clip
	MNo.5	55025-Z9401	750	90	14.0	6.8	
	MNo.6	55026-Z9401	460	90	13.0	3.7	
	HNo.1	55061-Z9206	1210	90	13.0	11.1	
	HNo.2	55062-Z9207	1170	90	13.0	10.7	
	HNo.3	55063-Z9206	860	90	13.0	7.4	
	HNo.4	55064-Z9208	630	90	13.0	5.3	W/Clip
	HNo.5	55065-Z9119	400	90	13.0	3.2	



UD Trucks

www.nakano-sp.co.jp

ASM Number	No. of Leaf	Leaf Number	Span	Width	Thickness	Weight	Add info
55020-00Z64	Assy		1600	90		104.9	
	MNo.1	55020-Z0064-M1	1600	90	13.0	17.9	W/Bush
	MNo.2	55020-Z0064-M2	1620	90	13.0	16.7	
	MNo.3	55020-Z0064-M3	1330	90	14.0	12.5	
	MNo.4	55020-Z0064-M4	1040	90	14.0	9.6	W/Clip
	MNo.5	55020-Z0064-M5	750	90	14.0	6.8	
	MNo.6	55020-Z0064-M6	460	90	13.0	3.7	
	HNo.1	55020-Z0064-H1	1210	90	13.0	11.1	
	HNo.2	55020-Z0064-H2	1170	90	13.0	10.7	
	HNo.3	55020-Z0064-H3	860	90	13.0	7.4	
	HNo.4	55020-Z0064-H4	630	90	13.0	5.3	W/Clip
	HNo.5	55020-Z0064-H5	400	90	13.0	3.2	
55020-Z0116	Assy		1600	90		126.0	
	MNo.1	55121-Z9110	1600	90	13.0	17.9	W/Bush
	MNo.2	55122-Z9003	1610	90	13.0	16.7	
	MNo.3	55123-Z9011	1360	90	13.0	12.1	
	MNo.4	55124-Z9017	1180	90	13.0	10.4	
	MNo.5	55125-Z9007	1000	90	13.0	8.8	W/Clip
	MNo.6	55026-Z9916	820	90	13.0	7.1	
	MNo.7	55027-Z9819	640	90	13.0	5.5	
	MNo.8	55028-Z9718	470	90	13.0	3.9	
	MNo.9	55029-Z9518	300	90	13.0	2.8	
	HNo.1	55061-Z9608	1140	90	12.0	9.7	
	HNo.2	55062-Z9608	1100	90	12.0	9.3	
	HNo.3	55063-Z9611	840	90	12.0	6.9	
	HNo.4	55064-Z9611	690	90	12.0	5.6	W/Clip
	HNo.5	55065-Z9506	540	90	12.0	4.3	
	HNo.6	55066-Z9302	390	90	12.0	3.0	
	HNo.7	55067-Z9114	240	90	12.0	2.0	



UD Trucks

www.nakano-sp.co.jp

ASM Number	No. of Leaf	Leaf Number	Span	Width	Thickness	Weight	Add info
55020-Z0171	Assy		1600	90		116.6	
	MNo.1	55121-Z9210	1600	90	14.0	19.3	W/Bush
	MNo.2	55122-Z9019	1620	90	14.0	18.1	
	MNo.3	55123-Z9106	1390	90	16.0	15.2	
	MNo.4	55124-Z9114	1160	90	16.0	12.6	W/Clip
	MNo.5	55125-Z9105	930	90	16.0	10.0	
	MNo.6	55126-Z9105	700	90	16.0	7.4	
	MNo.7	55027-Z9911	470	90	16.0	4.8	
	HNo.1	55061-Z9617	1210	90	10.0	8.5	
	HNo.2	55062-Z9617	1170	90	10.0	8.3	
	HNo.3	55063-Z9700	860	90	10.0	5.7	
	HNo.4	55064-Z9702	640	90	10.0	4.1	W/Clip
	HNo.5	55065-Z9517	420	90	10.0	2.6	
55020-Z0172	Assy		1400	80		93.0	
	MNo.1	55121-Z9116	1400	80	12.0	12.7	W/Bush
	MNo.2	55122-Z9009	1420	80	12.0	12.0	
	MNo.3	55123-Z9018	1180	80	12.0	8.6	
	MNo.4	55124-Z9104	1010	80	12.0	7.3	W/Clip
	MNo.5	55125-Z9014	840	80	12.0	6.0	
	MNo.6	55126-Z9003	670	80	12.0	4.7	
	MNo.7	55027-Z9903	500	80	12.0	3.5	
	MNo.8	55028-Z9802	330	80	10.0	2.5	
	HNo.1	55061-Z9613	1020	80	10.0	6.4	
	HNo.2	55062-Z6613	980	80	10.0	6.2	
	HNo.3	55063-Z9616	760	80	10.0	4.8	
	HNo.4	55064-Z9617	680	80	10.0	4.3	
	HNo.5	55065-Z9512	600	80	10.0	3.8	W/Clip
	HNo.6	55066-Z9306	520	80	10.0	3.3	
	HNo.7	55067-Z9117	440	80	10.0	2.8	
	HNo.8	55068-Z9017	360	80	10.0	2.3	
	HNo.9	55069-Z9006	280	80	10.0	1.8	



UD Trucks

www.nakano-sp.co.jp

ASM Number	No. of Leaf	Leaf Number	Span	Width	Thickness	Weight	Add info
55020-Z0173	Assy		1400	80		109.9	
	MNo.1	55121-Z9308	1400	80	12.0	12.7	W/Bush
	MNo.2	55122-Z9114	1420	80	12.0	12.0	
	MNo.3	55123-Z9202	1420	80	12.0	10.7	
	MNo.4	55124-Z9211	1180	80	12.0	8.6	
	MNo.5	55125-Z9202	1010	80	12.0	7.3	W/Clip
	MNo.6	55126-Z9111	840	80	12.0	6.0	
	MNo.7	55127-Z9006	670	80	12.0	4.7	
	MNo.8	55028-Z9900	500	80	12.0	3.5	
	MNo.9	55029-Z9615	330	80	12.0	2.5	
	HNo.1	55061-Z9702	1020	80	10.0	6.4	
	HNo.2	55062-Z9702	980	80	10.0	6.2	
	HNo.3	55063-Z9705	980	80	10.0	6.2	
	HNo.4	55064-Z9706	760	80	10.0	4.8	
	HNo.5	55065-Z9600	680	80	10.0	4.3	
	HNo.6	55066-Z9309	600	80	10.0	3.8	W/Clip
	HNo.7	55067-Z9119	520	80	10.0	3.3	
	HNo.8	55068-Z9019	440	80	10.0	2.8	
	HNo.9	55069-Z9007	360	80	10.0	2.3	
	HNo.10	55061-Z9703	280	80	10.0	1.8	
55020-Z1064	Assy		1600	90		116.8	
	MNo.1	55021-Z9414	1600	90	13.0	17.9	W/Bush
	MNo.2	55022-Z9402	1610	90	13.0	16.7	
	MNo.3	55023-Z9407	1360	90	14.0	12.9	
	MNo.4	55024-Z9408	1140	90	14.0	10.7	
	MNo.5	55025-Z9406	920	90	14.0	8.5	W/Clip
	MNo.6	55026-Z9407	700	90	14.0	6.4	
	MNo.7	55027-Z9318	480	90	13.0	3.9	
	MNo.8	55028-Z9311	290	90	13.0	2.7	
	HNo.1	55061-Z9212	1140	90	16.0	12.9	
	HNo.2	55062-Z9213	1100	90	16.0	12.4	
	HNo.3	55063-Z9212	720	90	16.0	7.4	W/Clip
	HNo.4	55064-Z9214	450	90	16.0	4.4	



UD Trucks

www.nakano-sp.co.jp

ASM Number	No. of Leaf	Leaf Number	Span	Width	Thickness	Weight	Add info
55020-Z1066	Assy		1600	90		105.8	
	MNo.1	55021-Z9805	1600	90	13.0	17.9	W/Bush
	MNo.2	55022-Z9704	1620	90	13.0	16.7	
	MNo.3	55023-Z9707	1330	90	13.0	11.7	
	MNo.4	55024-Z9710	1080	90	13.0	9.4	W/Clip
	MNo.5	55025-Z9707	830	90	13.0	7.1	
	MNo.6	55026-Z9700	580	90	13.0	4.8	
	MNo.7	55027-Z9609	330	90	13.0	3.0	
	HNo.1	55061-Z9404	1140	90	13.0	10.5	
	HNo.2	55062-Z9405	1100	90	13.0	10.1	
	HNo.3	55063-Z9407	770	90	13.0	6.6	
	HNo.4	55064-Z9407	580	90	13.0	4.9	W/Clip
	HNo.5	55064-Z9306	390	90	3.1	3.1	
55020-Z1067	Assy		1600	90	13.0	120.4	
	MNo.1	55021-Z9806	1600	90	13.0	17.9	W/Bush
	MNo.2	55022-Z9705	1620	90	13.0	16.7	
	MNo.3	55023-Z9708	1360	90	13.0	12.1	
	MNo.4	55024-Z9711	1180	90	13.0	10.4	
	MNo.5	55025-Z9708	1000	90	13.0	8.8	W/Clip
	MNo.6	55026-Z9610	820	90	13.0	7.1	
	MNo.7	55027-Z9610	640	90	13.0	5.5	
	MNo.8	55028-Z9518	470	90	13.0	3.9	
	MNo.9	55029-Z9406	300	90	13.0	2.8	
	HNo.1	55061-Z9405	1140	90	13.0	10.5	
	HNo.2	55062-Z9406	1000	90	13.0	10.1	
	HNo.3	55063-Z9408	770	90	13.0	6.6	
	HNo.4	55064-Z9408	580	90	13.0	4.9	W/Clip
	HNo.5	55065-Z9115	390	90	13.0	3.1	



UD Trucks

www.nakano-sp.co.jp

ASM Number	No. of Leaf	Leaf Number	Span	Width	Thickness	Weight	Add info
55020-Z1068	Assy		1600	90		116.8	
	MNo.1	55021-Z9808	1600	90	13.0	17.9	W/Bush
	MNo.2	55022-Z9706	1620	90	13.0	16.7	
	MNo.3	55023-Z9711	1360	90	14.0	12.9	
	MNo.4	55124-Z9019	1140	90	14.0	10.7	
	MNo.5	55125-Z9009	920	90	14.0	8.5	W/Clip
	MNo.6	55026-Z9704	700	90	14.0	6.4	
	MNo.7	55027-Z9613	480	90	13.0	3.9	
	MNo.8	55028-Z9600	290	90	13.0	2.7	
	HNo.1	55061-Z9408	1140	90	16.0	12.9	
	HNo.2	55062-Z9409	1100	90	16.0	12.4	
	HNo.3	55063-Z9412	720	90	16.0	7.4	W/Clip
	HNo.4	55064-Z9412	450	90	16.0	4.4	
55020-Z1108	Assy		1600	90		96.7	
	MNo.1	55121-Z9316	1600	90	13.0	17.9	W/Bush
	MNo.2	55122-Z9202	1620	90	15.0	19.4	
	MNo.3	55123-Z9209	1270	90	15.0	12.4	
	MNo.4	55124-Z9217	860	90	15.0	8.1	W/Clip
	MNo.5	55125-Z9209	450	90	13.0	3.7	
	HNo.1	55061-Z9706	1140	90	13.0	10.5	
	HNo.2	55062-Z9705	1100	90	13.0	10.1	
	HNo.3	55063-Z9708	770	90	13.0	6.6	
	HNo.4	55064-Z9709	580	90	13.0	4.9	W/Clip
	HNo.5	55065-Z9602	390	90	13.0	3.1	
55020-Z1109	Assy		1600	90		108.1	
	MNo.1	55121-Z9317	1600	90	13.0	17.9	W/Bush
	MNo.2	55122-Z9203	1620	90	13.0	16.7	
	MNo.3	55123-Z9210	1380	90	15.0	13.9	
	MNo.4	55124-Z9218	1120	90	15.0	11.2	W/Clip
	MNo.5	55125-Z9210	860	90	15.0	8.4	
	MNo.6	55126-Z9114	600	90	15.0	5.7	
	MNo.7	55127-Z9009	340	90	13.0	3.1	
	HNo.1	55061-Z9707	1140	90	18.0	10.6	
	HNo.2	55062-Z9706	1100	90	18.0	10.3	
	HNo.3	55063-Z9709	1100	90	18.0	10.3	W/Clip



UD Trucks

www.nakano-sp.co.jp

ASM Number	No. of Leaf	Leaf Number	Span	Width	Thickness	Weight	Add info
55020-Z2070	Assy		1380	90		75.8	
	No.1	55021-Z9511	1380	90	18.0	17.5	
	No.2	55022-Z9419	1380	90	18.0	17.5	
	No.3	55023-Z9504	990	90	18.0	12.6	
	No.4	55024-Z9505	820	90	18.0	10.4	W/Clip
	No.5	55025-Z9503	650	90	18.0	8.3	
	No.6	55026-Z9500	480	90	16.0	5.4	
	No.7	55027-Z9411	360	90	16.0	4.1	
55020-Z2076	Assy		1540	90		104.6	
	No.1	55121-Z9306	1540	90	20.0	21.8	
	No.2	55122-Z9112	1540	90	20.0	21.8	
	No.3	55123-Z9118	1120	90	20.0	15.8	
	No.4	55124-Z9207	960	90	20.0	13.6	W/Clip
	No.5	55125-Z9118	800	90	20.0	11.3	
	No.6	55126-Z9107	640	90	20.0	9.0	
	No.7	55127-Z9003	480	90	20.0	6.8	
	No.8	55028-Z9818	320	90	20.0	4.5	
55020-Z2114	Assy		1485	90		100.1	
	No.1	55121-Z9217	1485	90	14.0	14.7	
	No.2	55122-Z9106	1485	90	14.0	14.7	
	No.3	55123-Z9113	1220	90	14.0	12.1	
	No.4	55124-Z9201	1125	90	14.0	11.1	
	No.5	55125-Z9111	1030	90	14.0	10.2	
	No.6	55126-Z9101	935	90	14.0	9.2	W/Clip
	No.7	55027-Z9917	840	90	14.0	8.3	
	No.8	55028-Z9813	750	90	14.0	7.4	
	No.9	55029-Z9610	665	90	14.0	6.6	
	No.10	55030-Z9400	590	90	14.0	5.8	
55020-Z2119	Assy		1540	90		106.0	
	No.1	55021-Z9114	1540	90	18.0	19.6	
	No.2	55022-Z9811	1540	90	18.0	19.6	
	No.3	55023-Z9815	1120	90	20.0	15.8	
	No.4	55024-Z9818	970	90	20.0	13.7	
	No.5	55025-Z9815	820	90	20.0	11.6	W/Clip
	No.6	55026-Z9808	660	90	18.0	8.4	
	No.7	55027-Z9711	550	90	18.0	7.0	
	No.8	55028-Z9616	470	90	18.0	6.0	
	No.9	55029-Z9502	340	90	18.0	4.3	



UD Trucks

www.nakano-sp.co.jp

ASM Number	No. of Leaf	Leaf Number	Span	Width	Thickness	Weight	Add info
55020-Z2165	Assy		1540	90		106.0	
	No.1	55121-Z9211	1540	90	18.0	19.6	
	No.2	55122-Z9100	1540	90	18.0	19.6	
	No.3	55123-Z9107	1120	90	20.0	15.8	
	No.4	55124-Z9115	970	90	20.0	13.7	
	No.5	55125-Z9106	820	90	20.0	11.6	W/Clip
	No.6	55126-Z9016	660	90	18.0	8.4	
	No.7	55027-Z9912	550	90	18.0	7.0	
	No.8	55028-Z9808	470	90	18.0	6.0	
	No.9	55029-Z9607	340	90	18.0	4.3	
55020-Z2166	Assy		1540	90		104.1	
	No.1	55021-Z9816	1540	90	18.0	19.6	
	No.2	55022-Z9710	1540	90	18.0	19.6	
	No.3	55023-Z9714	1120	90	18.0	14.2	
	No.4	55024-Z9717	990	90	18.0	12.6	
	No.5	55025-Z9714	860	90	18.0	10.9	W/Clip
	No.6	55026-Z9707	730	90	18.0	9.3	
	No.7	55027-Z9615	600	90	18.0	7.6	
	No.8	55028-Z9602	470	90	18.0	6.0	
	No.9	55029-Z9408	340	90	18.0	4.3	
55020-Z2169	Assy		1540	90		99.2	
	No.1	55121-Z9212	1540	90	18.0	19.6	
	No.2	55122-Z9101	1540	90	18.0	19.6	
	No.3	55123-Z9108	1060	90	18.0	13.5	
	No.4	55124-Z9116	920	90	18.0	11.7	
	No.5	55061-Z9618	770	90	20.0	10.9	W/Clip
	No.6	55062-Z9618	680	90	20.0	9.6	
	No.7	55063-Z9701	580	90	20.0	8.2	
	No.8	55064-Z9703	430	90	20.0	6.1	
55020-Z2210	Assy		1540	90		115.8	
	No.1	55021-Z9912	1540	90	20.0	21.8	
	No.2	55022-Z9809	1540	90	20.0	21.8	
	No.3	55023-Z9813	1120	90	20.0	15.8	
	No.4	55024-Z9816	990	90	20.0	14.0	
	No.5	55025-Z9813	860	90	20.0	12.2	W/Clip
	No.6	55026-Z9806	730	90	20.0	10.3	
	No.7	55027-Z9709	600	90	20.0	8.5	
	No.8	55028-Z9614	470	90	20.0	6.6	
	No.9	55029-Z9500	340	90	20.0	4.8	



UD Trucks

www.nakano-sp.co.jp

ASM Number	No. of Leaf	Leaf Number	Span	Width	Thickness	Weight	Add info
55020-Z2211	Assy		1540	90		111.8	
	No.1	55021-Z9913	1540	90	20.0	21.8	
	No.2	55022-Z9810	1540	90	20.0	21.8	
	No.3	55023-Z9814	1120	90	20.0	15.8	
	No.4	55024-Z9817	980	90	20.0	13.8	
	No.5	55025-Z9814	840	90	20.0	11.9	W/Clip
	No.6	55026-Z9807	700	90	20.0	9.9	
	No.7	55027-Z9710	560	90	18.0	7.1	
	No.8	55028-Z9615	440	90	18.0	5.6	
	No.9	55029-Z9501	320	90	18.0	4.1	
55020-Z2212	Assy		1540	90		115.8	
	No.1	55121-Z9209	1540	90	20.0	21.8	
	No.2	55022-Z9510	1540	90	20.0	21.8	
	No.3	55023-Z9619	1120	90	20.0	15.8	
	No.4	55124-Z9113	990	90	20.0	14.0	
	No.5	55125-Z9104	860	90	20.0	12.2	W/Clip
	No.6	55126-Z9014	730	90	20.0	10.3	
	No.7	55027-Z9910	600	90	20.0	8.5	
	No.8	55028-Z9807	470	90	20.0	6.6	
	No.9	55029-Z9606	340	90	20.0	4.8	
55020-Z2301	Assy		1540	90		121.5	
	No.1	55121-Z9219	1540	90	20.0	21.8	
	No.2	55122-Z9015	1540	90	20.0	21.8	
	No.3	55123-Z9103	1130	90	20.0	16.0	
	No.4	55124-Z9110	1020	90	22.0	15.9	
	No.5	55125-Z9100	880	90	22.0	13.7	W/Clip
	No.6	55126-Z9011	740	90	22.0	11.5	
	No.7	55027-Z9907	600	90	20.0	8.5	
	No.8	55028-Z9806	490	90	20.0	6.9	
	No.9	55029-Z9605	380	90	20.0	5.4	



UD Trucks

www.nakano-sp.co.jp

ASM Number	No. of Leaf	Leaf Number	Span	Width	Thickness	Weight	Add info
55020-Z2302	Assy		1540	90	20.0	111.8	
	No.1	55121-Z9207	1540	90	20.0	21.8	
	No.2	55022-Z9810	1540	90	20.0	21.8	
	No.3	55023-Z9814	1120	90	20.0	15.8	
	No.4	55024-Z9817	980	90	20.0	13.8	
	No.5	55025-Z9814	840	90	20.0	11.9	W/Clip
	No.6	55026-Z9807	700	90	20.0	9.9	
	No.7	55027-Z9710	560	90	18.0	7.1	
	No.8	55028-Z9615	440	90	18.0	5.6	
	No.9	55029-Z9501	320	90	18.0	4.1	
55020-Z5100	Assy		1300	70		46.8	
	MNo.1	55121-Z9507	1300	70	11.0	9.6	W/Bush
	MNo.2	55122-Z9315	1310	70	14.0	11.5	
	MNo.3	55123-Z9404	830	70	14.0	5.4	W/Clip
	MNo.4	55124-Z9415	320	70	11.0	1.7	
	HNo.1	55161-Z9105	1040	70	10.0	5.7	
	HNo.2	55162-Z9015	890	70	13.0	6.4	
	HNo.3	55163-Z9019	640	70	13.0	4.1	W/Clip
	HNo.4	55164-Z9019	400	70	13.0	2.4	
55020-Z5108	Assy		1300	70		49.2	
	MNo.1	55121-Z9101	1300	70	11.0	9.6	W/Bush
	MNo.2	55022-Z9915	1310	70	14.0	11.5	
	MNo.3	55123-Z9002	840	70	14.0	5.4	W/Clip
	MNo.4	55124-Z9007	320	70	11.0	1.7	
	HNo.1	55061-Z9519	1040	70	12.0	6.9	
	HNo.2	55062-Z9519	900	70	12.0	5.9	
	HNo.3	55063-Z9602	640	70	12.0	3.9	W/Clip
	HNo.4	55064-Z9602	440	70	11.0	2.5	
	HNo.5	55065-Z9417	300	70	11.0	1.8	



UD Trucks

www.nakano-sp.co.jp

ASM Number	No. of Leaf	Leaf Number	Span	Width	Thickness	Weight	Add info
55020-Z5109	Assy		1300	70		54.3	
	MNo.1	55121-Z9102	1300	70	11.0	9.6	W/Bush
	MNo.2	55022-Z9916	1310	70	11.0	9.0	
	MNo.3	55123-Z9003	1060	70	13.0	7.1	
	MNo.4	55124-Z9008	760	70	13.0	4.9	W/Clip
	MNo.5	55025-Z9919	460	70	13.0	2.8	
	HNo.1	55061-Z9600	1040	70	10.0	5.7	
	HNo.2	55062-Z9600	900	70	12.0	5.9	
	HNo.3	55063-Z9603	630	70	12.0	4.3	
	HNo.4	55064-Z9603	510	70	12.0	3.1	W/Clip
	HNo.5	55065-Z9418	330	70	12.0	1.9	
55020-Z5110	Assy		1300	70		49.1	
	MNo.1	55121-Z9013	1300	70	11.0	9.6	W/Bush
	MNo.2	55022-Z9907	1310	70	14.0	11.5	
	MNo.3	55023-Z9914	840	70	14.0	5.4	W/Clip
	MNo.4	55024-Z9919	320	70	11.0	1.7	
	HNo.1	55061-Z9512	1040	70	10.0	5.7	
	HNo.2	55062-Z9512	900	70	12.0	5.9	
	HNo.3	55063-Z9515	690	70	12.0	4.3	W/Clip
	HNo.4	55064-Z9515	510	70	12.0	3.1	
	HNo.5	55065-Z9410	330	70	12.0	1.9	
55020-Z5112	Assy		1300	70		61.7	
	MNo.1	55121-Z9103	1300	70	11.0	9.6	W/Bush
	MNo.2	55022-Z9917	1310	70	11.0	9.0	
	MNo.3	55123-Z9004	1040	70	11.0	6.0	
	MNo.4	55124-Z9009	860	70	11.0	4.9	W/Clip
	MNo.5	55125-Z9000	680	70	11.0	3.9	
	MNo.6	55026-Z9909	500	70	11.0	2.8	
	MNo.7	55027-Z9812	320	70	11.0	1.9	
	HNo.1	55061-Z9601	1040	70	10.0	5.7	
	HNo.2	55062-Z9601	900	70	10.0	4.9	
	HNo.3	55063-Z9604	740	70	10.0	3.9	
	HNo.4	55064-Z9604	620	70	10.0	3.2	W/Clip
	HNo.5	55065-Z9419	500	70	10.0	2.6	
	HNo.6	55066-Z9215	380	70	10.0	1.9	
	HNo.7	55067-Z9108	260	70	10.0	1.4	



UD Trucks

www.nakano-sp.co.jp

ASM Number	No. of Leaf	Leaf Number	Span	Width	Thickness	Weight	Add info
55020-Z5119	Assy		1300	70		69.1	
	MNo.1	55121-Z9115	1300	70	11.0	9.6	W/Bush
	MNo.2	55122-Z9008	1310	70	11.0	9.0	
	MNo.3	55123-Z9017	1080	70	11.0	6.3	
	MNo.4	55124-Z9103	930	70	11.0	5.4	W/Clip
	MNo.5	55125-Z9012	780	70	11.0	4.5	
	MNo.6	55126-Z9001	630	70	11.0	3.6	
	MNo.7	55027-Z9902	480	70	11.0	2.7	
	MNo.8	55028-Z9801	330	70	11.0	1.8	
	HNo.1	55061-Z9612	1040	70	11.0	6.3	
	HNo.2	55062-Z9612	900	70	11.0	5.4	
	HNo.3	55063-Z9615	740	70	11.0	4.3	
	HNo.4	55064-Z9615	620	70	11.0	3.6	W/Clip
	HNo.5	55065-Z9510	500	70	11.0	2.9	
	HNo.6	55066-Z9305	380	70	11.0	2.1	
	HNo.7	55067-Z9116	260	70	11.0	1.6	
55020-Z5170	Assy		1600	80		99.6	
	MNo.1	55121-Z9409	1600	80	13.0	15.6	W/Bush
	MNo.2	55122-Z9218	1610	80	13.0	14.7	
	MNo.3	55123-Z9306	1340	80	14.0	11.3	
	MNo.4	55124-Z9318	1100	80	14.0	9.2	W/Clip
	MNo.5	55125-Z9307	860	80	14.0	7.1	
	MNo.6	55126-Z9208	620	80	14.0	4.9	
	MNo.7	55127-Z9018	380	80	14.0	3.3	
	HNo.1	55161-Z9010	1150	80	12.0	8.7	
	HNo.2	55162-Z9001	1110	80	12.0	8.4	
	HNo.3	55163-Z9004	780	80	12.0	5.9	W/Clip
	HNo.4	55164-Z9003	620	80	12.0	4.7	
	HNo.5	55065-Z9609	460	80	12.0	3.5	
	HNo.6	55066-Z9314	300	80	12.0	2.3	



UD Trucks

www.nakano-sp.co.jp

ASM Number	No. of Leaf	Leaf Number	Span	Width	Thickness	Weight	Add info
55020-Z5171	Assy		1600	80		103.7	
	MNo.1	55121-Z9411	1600	80	13.0	15.6	W/Bush
	MNo.2	55122-Z9219	1610	80	13.0	14.7	
	MNo.3	55123-Z9307	1340	80	14.0	11.3	
	MNo.4	55124-Z9313	1100	80	14.0	9.2	W/Clip
	MNo.5	55125-Z9308	860	80	14.0	7.1	
	MNo.6	55126-Z9209	620	80	14.0	4.9	
	MNo.7	55127-Z9019	380	80	14.0	3.3	
	HNo.1	55161-Z9011	1150	80	12.0	8.7	
	HNo.2	55162-Z9002	1110	80	12.0	8.4	
	HNo.3	55163-Z9005	780	80	12.0	5.9	
	HNo.4	55164-Z9004	660	80	12.0	5.0	W/Clip
	HNo.5	55065-Z9610	540	80	12.0	4.1	
	HNo.6	55066-Z9315	420	80	12.0	3.2	
	HNo.7	55067-Z9203	300	80	12.0	2.3	
55020-Z5173	Assy		1600	80		95.5	
	MNo.1	55121-Z9413	1600	80	13.0	15.6	W/Bush
	MNo.2	55122-Z9301	1610	80	13.0	14.7	
	MNo.3	55123-Z9309	1340	80	14.0	11.3	
	MNo.4	55124-Z9400	1100	80	14.0	9.2	W/Clip
	MNo.5	55125-Z9310	860	80	14.0	7.1	
	MNo.6	55126-Z9211	620	80	14.0	4.9	
	MNo.7	55127-Z9101	380	80	14.0	3.3	
	HNo.1	55161-Z9013	1150	80	12.0	8.7	
	HNo.2	55162-Z9004	1110	80	12.0	8.4	
	HNo.3	55163-Z9007	740	80	12.0	5.6	W/Clip
	HNo.4	55164-Z9006	540	80	12.0	4.1	
	HNo.5	55065-Z9612	340	80	12.0	2.6	



UD Trucks

www.nakano-sp.co.jp

ASM Number	No. of Leaf	Leaf Number	Span	Width	Thickness	Weight	Add info
55020-Z5175	Assy		1600	80		103.7	
	MNo.1	55121-Z9414	1600	80	13.0	15.6	W/Bush
	MNo.2	55212-Z901E	1610	80	13.0	14.6	
	MNo.3	55123-Z9310	1350	80	14.0	11.4	
	MNo.4	55124-Z9401	1130	80	14.0	9.5	W/Clip
	MNo.5	55125-Z9311	910	80	14.0	7.6	
	MNo.6	55126-Z9212	690	80	14.0	5.6	
	MNo.7	55127-Z9102	470	80	13.0	3.5	
	MNo.8	55128-Z9002	290	80	13.0	2.4	
	HNo.1	55161-Z9010	1150	80	12.0	8.7	
	HNo.2	55162-Z9001	1110	80	12.0	8.4	
	HNo.3	55163-Z9008	780	80	12.0	5.9	W/Clip
	HNo.4	55164-Z9003	620	80	12.0	4.7	
	HNo.5	55065-Z9609	460	80	12.0	3.5	
	HNo.6	55066-Z9314	300	80	12.0	2.3	
55020-Z5176	Assy		1600	80		103.7	
	MNo.1	55121-Z9414	1600	80	13.0	15.6	W/Bush
	MNo.2	55212-Z901E	1610	80	13.0	14.6	
	MNo.3	55123-Z9310	1350	80	14.0	11.4	
	MNo.4	55124-Z9401	1130	80	14.0	9.5	W/Clip
	MNo.5	55125-Z9311	910	80	14.0	7.6	
	MNo.6	55126-Z9212	690	80	14.0	5.6	
	MNo.7	55127-Z9102	470	80	13.0	3.5	
	MNo.8	55128-Z9002	290	80	13.0	2.4	
	HNo.1	55161-Z9011	1150	80	12.0	8.7	
	HNo.2	55162-Z9002	1110	80	12.0	8.4	
	HNo.3	55163-Z9005	780	80	12.0	5.9	
	HNo.4	55164-Z9004	660	80	12.0	5.0	W/Clip
	HNo.5	55065-Z9610	540	80	12.0	4.1	
	HNo.6	55066-Z9315	420	80	12.0	3.2	
	HNo.7	55067-Z9203	300	80	12.0	2.3	



UD Trucks

www.nakano-sp.co.jp

ASM Number	No. of Leaf	Leaf Number	Span	Width	Thickness	Weight	Add info
55020-Z5179	Assy		1600	80		116.5	
	MNo.1	55121-Z9501	1600	80	13.0	15.6	W/Bush
	MNo.2	55122-Z9309	1610	80	13.0	14.7	
	MNo.3	55123-Z9317	1400	80	14.0	11.9	
	MNo.4	55124-Z9408	1210	80	14.0	10.3	
	MNo.5	55125-Z9318	1020	80	14.0	8.6	W/Clip
	MNo.6	55126-Z9219	830	80	14.0	6.9	
	MNo.7	55127-Z9109	640	80	14.0	5.2	
	MNo.8	55128-Z9006	450	80	13.0	3.4	
	MNo.9	55029-Z9700	280	80	13.0	2.3	
	HNo.1	55161-Z9018	1150	80	12.0	8.7	
	HNo.2	55162-Z9009	1110	80	12.0	8.4	
	HNo.3	55163-Z9013	780	80	12.0	5.9	
	HNo.4	55164-Z9013	660	80	12.0	5.0	W/Clip
	HNo.5	55165-Z9002	540	80	12.0	4.1	
	HNo.6	55066-Z9400	420	80	12.0	3.2	
	HNo.7	55067-Z9205	300	80	12.0	2.3	
55020-Z5205	Assy		1450	70		54.9	
	No.1	55121-Z9509	1450	70	13.0	12.5	W/Bush
	No.2	55122-Z9317	1460	70	13.0	11.5	
	No.3	55123-Z9406	1240	70	13.0	8.5	W/Clip
	No.4	55124-Z9417	1050	70	13.0	7.1	
	No.5	55125-Z9406	860	70	13.0	5.8	
	No.6	55126-Z9306	670	70	13.0	4.4	W/Clip
	No.7	55127-Z9115	480	70	13.0	3.0	
	No.8	55128-Z9010	290	70	13.0	2.1	
55020-Z6011	Assy		1450			49.1	
	No.1	55211-Z9405	1450	70	20.0	13.8	W/Bush
	No.2	55212-Z9306	1460	70	20.0	12.4	
	No.3	55213-Z9300	1470	70	20.0	11.4	
	No.4	55214-Z9318	1470	70	20.0	11.4	W/Clip
55020-Z6067	Assy		1450			49.0	
	No.1	55211-Z9409	1450	70	20.0	13.9	W/Bush
	No.2	55212-Z9311	1460	70	20.0	12.3	
	No.3	55213-Z9307	1470	70	20.0	11.4	
	No.4	55214-Z9403	1470	70	20.0	11.4	W/Clip



UD Trucks

www.nakano-sp.co.jp

ASM Number	No. of Leaf	Leaf Number	Span	Width	Thickness	Weight	Add info
55020-04Z00	Assy		1600			80.7	
	MNo.1	55121-99005	1600	90	19.0	20.1	W/Bush
	MNo.2	55122-99006	1610	90	21.0	19.6	
	MNo.3	55123-99007	1600	90	21.0	17.5	W/Clip
	HNo.1	55061-99012	1210	90	19.0	11.9	
	HNo.2	55062-99017	1170	90	19.0	11.6	W/Clip
55020-05Z17	Assy		1600			91.7	
	MNo.1	55121-NY201	1600	90	23.0	21.4	W/Bush
	MNo.2	55122-NY2.1	1610	90	25.0	20.6	
	MNo.3	55123-NY119	1600	90	25.0	18.9	W/Clip
	HNo.1	55061-NY009	1210	90	18.0	10.7	
	HNo.2	55062-NY009	1170	90	18.0	10.4	
55020-06Z75	Assy		1510			109.3	
	No.1	55121-NY01D	1510	90	33.5	25.2	
	No.2	55122-NY01D	1380	90	33.5	23.5	
	No.3	55123-NY01D	1510	90	33.5	26.0	
	No.4	55124-NY01D	1120	90	33.5	19.7	
	No.5	55125-NY01B	1120	90	33.5	14.0	W/Clip
55020-30Z2D	Assy		1600			108.6	
	MNo.1	55211-Z904A	1600	80	14.0	16.8	W/Bush
	MNo.2	55212-Z907A	1610	80	14.0	15.9	
	MNo.3	55213-Z905A	1270	80	15.0	11.6	
	MNo.4	55214-Z903E	1060	80	15.0	9.6	W/Clip
	MNo.5	55215-Z902C	850	80	14.0	7.2	
	MNo.6	55126-Z902A	630	80	14.0	5.2	
	MNo.7	55127-Z901E	410	80	14.0	3.3	
	HNo.1	55161-Z901E	1150	80	14.0	10.1	
	HNo.2	55162-Z901E	1110	80	14.0	9.8	
	HNo.3	55163-Z902D	760	80	14.0	6.7	W/Clip
	HNo.4	55164-Z902A	620	80	14.0	5.5	
	HNo.5	55165-Z901E	480	80	14.0	4.2	
	HNo.6	55068-Z900B	310	80	14.0	2.7	



UD Trucks

www.nakano-sp.co.jp

ASM Number	No. of Leaf	Leaf Number	Span	Width	Thickness	Weight	Add info
55020-31Z61	Assy		1440	70		66.2	
	MNo.1	55211-Z9413	1440	70	12.0	10.5	W/Bush
	MNo.2	55212-Z9315	1440	70	12.0	10.8	
	MNo.3	55213-Z9311	1060	70	13.0	7.2	
	MNo.4	55214-Z9407	840	70	13.0	5.6	W/Clip
	MNo.5	55215-Z9208	620	70	13.0	4.0	
	MNo.6	55216-Z9004	400	70	11.0	2.2	
	MNo.7	55127-Z9714	240	70	11.0	1.5	
	HNo.1	55161-Z9606	1000	70	9.0	4.9	
	HNo.2	55162-Z9519	900	70	11.0	5.4	
	HNo.3	55163-Z9602	720	70	11.0	4.2	
	HNo.4	55164-Z9508	580	70	11.0	3.3	W/Clip
	HNo.5	55065-Z9311	440	70	9.0	2.2	
	HNo.6	55066-Z9603	360	70	9.0	1.8	
	HNo.7	55067-Z9307	280	70	9.0	1.4	
	HNo.8	55068-Z9114	240	70	9.0	1.2	
55020-31Z70	Assy		1440	70		66.2	
	MNo.1	55211-Z9510	1440	70	12.0	10.5	W/Bush
	MNo.2	55212-Z9413	1440	70	12.0	10.8	
	MNo.3	55213-Z9410	1060	70	13.0	7.2	
	MNo.4	55214-Z9506	840	70	13.0	5.6	W/Clip
	MNo.5	55215-Z9301	620	70	13.0	4.0	
	MNo.6	55216-Z9013	400	70	11.0	2.2	
	MNo.7	55127-Z9718	240	70	11.0	1.5	
	HNo.1	55161-Z9702	1000	70	9.0	4.9	
	HNo.2	55162-Z9617	900	70	11.0	5.4	
	HNo.3	55163-Z9619	720	70	11.0	4.2	
	HNo.4	55164-Z9605	580	70	11.0	3.3	W/Clip
	HNo.5	55165-Z9407	440	70	9.0	2.2	
	HNo.6	55066-Z9612	360	70	9.0	1.8	
	HNo.7	55067-Z9310	280	70	9.0	1.4	
	HNo.8	55068-Z9115	240	70	9.0	1.2	
55020-Z6006	Assy		1450	70		57.4	
	No.1	55211-Z9101	1450	80	18.6	15.4	W/Bush
	No.2	55212-Z9002	1460	80	19.5	14.8	
	No.3	55123-Z9917	1470	80	19.5	13.6	
	No.4	55214-Z9311	1470	80	19.5	13.6	W/Clip



ASM Number	No. of Leaf	Leaf Number	Span	Width	Thickness	Weight	Add info
48110-3790	Assy		1300	70		28.8	
	No.1	48101-1600	1300	70	11.0	9.5	W/Bush
	No.2	48112-2091	1310	70	11.0	8.9	
	No.3	48104-1450	880	70	11.0	4.9	W/Clip
	No.4	48114-1810	640	70	11.0	3.5	
	No.5	48115-1750	400	70	11.0	2.0	
48110-5100	Assy		1400	80		47.8	
	No.1	48101-1770	1400	80	11.0	11.5	W/Bush
	No.2	48112-2200	1415	80	11.0	10.9	
	No.3	48104-1500	1130	80	11.0	7.5	W/Clip
	No.4	48114-1860	930	80	10.0	5.5	
	No.5	48115-1830	750	80	10.0	4.4	
	No.6	48109-1540	570	80	10.0	3.3	W/Clip
	No.7	48117-1780	370	80	10.0	2.1	
	No.8	48118-1820	supporter	80	10.0	2.6	
48110-5201	Assy		1300	70		31.7	
48110-5211	No.1	48101-1601	1300	70	11.0	9.5	W/Bush
	No.2	48112-2091	1315	70	11.0	9.0	
	No.3	48104-1600	960	70	11.0	5.4	W/Clip
	No.4	48114-1920	740	70	10.0	3.7	
	No.5	48115-1920	540	70	10.0	2.6	
	No.6	48116-1940	340	70	10.0	1.5	
48110-5211	Assy		1300	70		31.7	
48110-5201	No.1	48101-1601	1300	70	11.0	9.5	W/Bush
	No.2	48112-2091	1315	70	11.0	9.0	
	No.3	48104-1600	960	70	11.0	5.4	W/Clip
	No.4	48114-1920	740	70	10.0	3.7	
	No.5	48115-1920	540	70	10.0	2.6	
	No.6	48116-1940	340	70	10.0	1.5	
48110-6180	Assy		1300	90		50.2	
	No.1	48101-2060	1300	90	10.0	11.3	W/Bush
	No.2	48112-2450	1315	90	10.0	10.5	
	No.3	48104-1580	1060	90	11.0	8.0	W/Clip
	No.4	48114-1900	880	90	12.0	7.1	
	No.5	48108-1470	680	90	12.0	5.4	
	No.6	48116-2130	480	90	12.0	3.7	W/Clip
	No.7	48117-1820	supporter	90	11.0	4.2	



ASM Number	No. of Leaf	Leaf Number	Span	Width	Thickness	Weight	Add info
48110-6250	Assy		1500	90		68.5	
	No.1	48101-2090	1500	90	12.0	15.3	W/Bush
	No.2	48112-2480	1505	90	12.0	14.5	
	No.3	48104-1760	1260	90	14.0	11.9	W/Clip
	No.4	48114-2120	1020	90	14.0	9.5	
	No.5	48115-2080	780	90	14.0	7.1	
	No.6	48109-1670	540	90	14.0	4.7	W/Clip
	No.7	48117-2030	300	90	13.0	2.6	
	No.8	48118-2070	supporter	90	10.0	2.9	
48110-6480	Assy		1500	90		63.5	
	No.1	48101-2140	1500	90	12.0	15.3	W/Bush
	No.2	48112-2530	1500	90	12.0	14.4	
	No.3	48104-1820	1210	90	14.0	11.3	W/Clip
	No.4	48114-2190	930	90	14.0	8.5	
	No.5	48108-1500	650	90	14.0	5.7	W/Clip
	No.6	48116-2230	370	90	14.0	3.2	
	No.7	48002-1540	supporter	90	14.0	5.1	
48110-7520	Assy		1500	90		55.4	
	No.1	48101-2540	1500	90	11.0	14.2	W/Bush
	No.2	48112-3100	1515	90	11.0	13.3	
	No.3	48104-1880	1170	90	14.0	10.8	W/Clip
	No.4	48114-2220	830	90	14.0	7.4	
	No.5	48108-1571	490	90	14.0	4.3	W/Clip
	No.6	48117-2101	supporter	90	14.0	5.4	
48110-7590	Assy		1300	70		29.5	
	No.1	48101-1601	1300	70	11.0	9.5	W/Bush
	No.2	48112-2091	1315	70	11.0	9.0	
	No.3	48104-2200	910	70	11.0	5.2	W/Clip
	No.4	48114-2630	660	70	11.0	3.7	
	No.5	48115-2560	400	70	11.0	2.1	
48110-8581	Assy		1300	70		27.5	
	No.1	48101-2881	1300	70	11.0	9.5	W/Bush
	No.2	48112-3481	1305	70	12.0	9.7	
	No.3	48104-2451	920	70	12.0	5.5	W/Clip
	No.4	48114-2781	500	70	12.0	2.8	



ASM Number	No. of Leaf	Leaf Number	Span	Width	Thickness	Weight	Add info
48110-E0121	Assy		1200	70		18.0	
	No.1	48101-E0520	1200	70	17.0	8.9	W/Bush
	No.2	48103-E0020	1205	70	19.0	9.1	W/Clip
48110-E0G10	Assy		1300	70		21.6	
	No.1	S48101-6330	1300	70	18.5	11.1	W/Bush
	No.2	S4802E-0060	1305	70	2.0	10.5	W/Clip
48110-E1050	Assy		1500	90		37.2	
	No.1	48101-EV270	1500	90	21.0	19.4	W/Bush
	No.2	48102-EV240	1515	90	23.0	17.8	W/Clip
48110-E070	Assy		1500	90		51.1	
	No.1	48101-EV280	1500	90	20.0	18.2	W/Bush
	No.2	48112-EV290	1515	90	20.5	17.0	
	No.3	48102-EV250	1530	90	20.5	15.9	W/Clip
48110-E1170	Assy		1700	90		51.5	
	No.1	48101-EV240	1700	90	27.0	26.2	W/Bush
	No.2	48102-EV210	1715	90	28.5	25.3	W/Clip
48110-E1180	Assy		1700	90		71.1	
	No.1	48101-EV250	1700	90	24.3	24.1	W/Bush
	No.2	48112-EV400	1710	90	26.0	24.3	
	No.3	48102-EV360	1720	90	26.0	22.7	W/Clip
48110-E1290	Assy		1500	90		41.1	
	No.1	48101-EV370	1500	90	24.0	21.4	W/Bush
	No.2	48102-EV330	1515	90	25.5	19.7	W/Clip
48110-E1351	Assy		1700	90		75.7	
	No.1	48101-EV260	1700	90	25.5	26.3	W/Bush
	No.2	48112-EV780	1715	90	28.0	25.5	
	No.3	48102-EV740	1730	90	28.0	23.9	W/Clip
48110-E1M21	Assy		1700	90		46.4	
	No.1	48101-EV510	1700	90	24.5	23.8	W/Bush
	No.2	48102-EV770	1715	90	25.5	22.6	W/Clip
48120-1011	Assy		1500	90		67.7	
	No.1	48101-3361	1500	90	13.0	16.7	W/Bush
	No.2	48112-4061	1515	90	14.0	17.0	
	No.3	48104-2910	1200	90	15.0	11.9	W/Clip
	No.4	48114-3140	920	90	15.0	8.9	
	No.5	48106-1820	630	90	15.0	5.9	W/Clip
	No.6	48116-2970	350	90	15.0	3.4	
No.7	48117-32720	supporter	90	12.0	3.9		



ASM Number	No. of Leaf	Leaf Number	Span	Width	Thickness	Weight	Add info
48120-1022	Assy		1500	90		60.9	
	No.1	48101-3371	1500	90	13.0	16.7	W/Bush
	No.2	48112-4071	1515	90	15.0	15.8	
	No.3	48104-2920	1140	90	15.0	11.0	W/Clip
	No.4	48105-2030	800	90	15.0	7.4	W/Clip
	No.5	48115-3011	480	90	15.0	4.3	
	No.6	48116-2980	suppoter	90	14.0	5.7	
48120-1640	Assy		1300	70		27.3	
	No.1	48101-2881	1300	70	11.0	9.5	W/Bush
	No.2	48112-3481	1305	70	12.0	9.7	
	No.3	48104-2610	920	70	12.0	5.5	W/Clip
	No.4	48114-3300	480	70	12.0	2.6	
48120-1430	Assy		1500	90		50.5	
	No.1	48101-2791	1500	90	19.0	18.7	W/Bush
	No.2	48112-3291	1515	90	19.0	16.9	
	No.3	48104-2261	1530	90	19.0	14.9	W/Clip
48120-3310	Assy		1400	80		39.6	
	No.1	48101-4170	1400	80	13.0	14.0	W/Bush
	No.2	48112-4820	1415	80	14.0	12.7	
	No.3	48113-4190	880	80	12.0	6.1	
	No.4	48105-2100	640	80	12.0	4.3	W/Clip
	No.5	48115-3430	400	80	12.0	2.5	
48120-3390	Assy		1400	80		48.3	
	No.1	48101-4190	1400	80	12.0	12.9	W/Bush
	No.2	48112-4840	1415	80	13.0	13.1	
	No.3	48113-4230	1100	80	13.0	8.5	
	No.4	48114-3750	860	80	13.0	6.5	
	No.5	48108-1990	630	80	13.0	4.7	W/Clip
	No.6	48116-3350	380	80	13.0	2.6	
			suppoter	80			
			suppoter	80			
48120-3620	Assy		1250			31.4	
	No.1	48101-4290	1250	80	15.0	11.3	W/Bush
	No.2	48112-4920	1260	80	15.0	10.0	
	No.3	48104-3570	1270	80	15.0	8.1	W/Clip
	No.4	48114-3230	suppoter	80	10.0	2.0	



ASM Number	No. of Leaf	Leaf Number	Span	Width	Thickness	Weight	Add info
48120-3700	Assy		1500	90		50.9	
	No.1	48101-4271	1500	90	18.0	18.3	W/Bush
	No.2	48112-3252	1515	90	18.0	17.2	
	No.3	48104-2282	1530	90	18.0	15.4	W/Clip
48120-5411	Assy		1300	70		34.5	
	No.1	48101-4910	1300	70	11.0	9.5	W/Bush
	No.2	48112-5450	1305	70	12.0	9.7	
	No.3	48113-4840	1310	70	10.0	7.2	
	No.4	48105-2350	920	70	12.0	5.4	W/Clip
	No.5	48115-3770	510	70	12.0	2.7	
48120-6290	Assy		1500	90		55.1	
	No.1	48101-4891	1500	90	19.0	18.7	W/Bush
	No.2	48112-5441	1510	90	19.0	17.0	
	No.3	48104-4121	1520	90	19.0	15.6	W/Clip
	No.4	48116-2980	suppoter	90		5.5	
48120-6520	Assy		1500	90		70.7	
	No.1	48102-1090	1500	90	13.0	17.0	W/Bush
	No.2	48112-5830	1515	90	13.0	15.8	
	No.3	48104-4530	1290	90	16.0	13.9	W/Clip
	No.4	48114-4400	990	90	16.0	10.5	
	No.5	48108-2120	690	90	16.0	7.1	W/Clip
	No.6	48117-3190	suppoter	90	14.0	6.4	
48120-7722	Assy		1300	70		28.1	
	No.1	48101-5561	1300	70	13.0	10.5	W/Bush
	No.2	48112-6231	1310	70	13.0	10.1	
	No.3	48104-4842	880	70	13.0	5.6	W/Clip
	No.4	48114-4661	400	70	10.0	1.9	
48120-8582	Assy		1500	90		54.8	
	No.1	48101-5851	1500	90	23.0	18.4	W/Bush
	No.2	48112-6582	1515	90	23.0	17.0	
	No.3	48104-5212	1530	90	23.0	15.6	W/Clip
48150-1160	Assy		1500	90		47.6	
	No.1	48101-5651	1500	90	20.0	17.7	W/Bush
	No.2	48112-6332	1515	90	20.0	15.5	
	No.3	48104-4922	1530	90	20.0	14.4	W/Clip



ASM Number	No. of Leaf	Leaf Number	Span	Width	Thickness	Weight	Add info
48150-1171	Assy		1500	90		58.3	
	No.1	48101-6020	1500	90	23.0	21.4	W/Bush
	No.2	48112-6780	1515	90	23.0	19.4	
	No.3	48104-5441	1530	90	23.0	17.5	W/Clip
48150-1181	Assy		1500	90		58.3	
	No.1	48101-6020	1500	90	23.0	21.4	W/Bush
	No.2	48112-6780	1515	90	23.0	19.4	
	No.3	48104-5441	1530	90	23.0	17.5	W/Clip
48150-1480	Assy		1300	70		21.8	
	No.1	48101-6210	1300	70	18.5	11.3	W/Bush
	No.2	48103-1420	1305	70	20.0	10.5	W/Clip
48150-3010	Assy		1470	80		43.0	
	No.1	48101-6240	1470	80	19.5	15.7	W/Bush
	No.2	48112-7020	1475	80	19.5	14.2	
	No.3	48104-6310	1480	80	19.5	13.2	W/Clip
48150-3310	Assy		1500	90		50.7	
	No.1	48101-6770	1500	90	20.0	18.4	W/Bush
	No.2	48112-7500	1515	90	20.0	16.7	
	No.3	48104-4511	1530	90	20.0	15.6	W/Clip
48150-3320	Assy		1700	90		59.2	
	No.1	48101-6780	1700	90	21.5	21.2	W/Bush
	No.2	48112-7510	1715	90	22.2	19.5	
	No.3	48104-6190	1730	90	22.2	19.5	W/Clip
48150-3470	Assy		1700	90		59.0	
	No.1	48101-6820	1700	90	21.5	21.0	W/Bush
	No.2	48112-7550	1715	90	22.2	9.5	
	No.3	48104-6200	1730	90	22.2	9.5	W/Clip
48150-3830	Assy		1500	90		47.4	
	No.1	48101-6750	1500	90	19.5	17.8	W/Bush
	No.2	48112-7480	1515	90	19.5	15.3	
	No.3	48104-5700	1530	90	19.5	14.3	W/Clip
48150-3840	Assy		1500	90		60.7	
	No.1	48101-6750	1500	90	19.5	17.8	W/Bush
	No.2	48112-7480	1515	90	19.5	15.3	
	No.3	48113-7280	1530	90	19.5	14.3	
	No.4	48104-5191	1530	90	16.0	13.3	W/Clip



ASM Number	No. of Leaf	Leaf Number	Span	Width	Thickness	Weight	Add info
48150-3860	Assy		1700	90		59.2	
	No.1	48101-6780	1700	90	21.5	21.2	W/Bush
	No.2	48112-7510	1715	90	22.2	19.5	
	No.3	48104-6190	1730	90	22.2	19.5	W/Clip
48150-3910	Assy		1500	90		57.8	
	No.1	48101-6730	1500	90	23.0	21.4	W/Bush
	No.2	48112-7461	1530	90	23.0	18.6	
	No.3	48104-6171	1560	90	23.0	17.8	W/Clip
48150-3920	Assy		1500	90		74.3	
	No.1	48101-6730	1500	90	23.0	21.4	W/Bush
	No.2	48112-7461	1530	90	23.0	18.6	
	No.3	48113-7271	1560	90	23.0	17.8	
	No.4	48105-2981	1560	90	21.0	16.5	W/Clip
48150-4090	Assy		1500	90		52.7	
	No.1	48101-69140	1500	90	21.5	19.1	W/Bush
	No.2	48112-7710	1515	90	22.0	17.2	
	No.3	48104-6260	1530	90	22.0	16.4	W/Clip
48110-E0P00	Assy		1300	70		35.6	
	No.1	48101-6330	1300	70	18.5	10.7	W/Bush
	No.2	48112-7090	1305	70	20.0	9.4	
	No.3	48113-6550	1310	70	16.0	8.0	
	No.4	48104-5570	1310	70	15.0	7.5	W/Clip
48120-3112	Assy		1300	70/60		24.0	
	No.1	48101-4080	1300	70/60	11.5	8.8	W/Bush
	No.2	48112-4740	1305	60	14.0	9.0	
	No.3	48104-3462	820	60	12.0	4.1	W/Clip
	No.4	48114-3662	460	60	12.0	2.1	
48120-3410	Assy		1400	80		51.8	
	No.1	48101-4200	1400	80	14.0	15.2	W/Bush
	No.2	48112-4850	1410	80	15.0	15.2	
	No.3	48113-4250	880	80	12.0	6.3	
	No.4	48105-2140	640	80	12.0	4.4	W/Clip
	No.5	48115-3460	400	80	12.0	2.6	
	No.6	48867-1200	suppoter	80		5.6	
	No.7	48121-1880	suppoter	80		2.5	



ASM Number	No. of Leaf	Leaf Number	Span	Width	Thickness	Weight	Add info
48120-3540	Assy		1500	90		61.3	
	No.1	48101-4250	1500	90	13.0	16.7	W/Bush
	No.2	48112-4890	1515	90	16.0	19.4	
	No.3	48104-3550	1060	90	16.0	11.1	W/Clip
	No.4	48105-2160	620	90	13.0	5.2	W/Clip
	No.5	48115-3470	400	90	13.0	3.2	
	No.6	48116-2980	suppoter	90	14.0	5.7	
48120-3552	Assy		1500	90		65.4	
	No.1	48101-4261	1500	90	15.5	18.9	W/Bush
	No.2	48112-4901	1510	90	15.5	18.0	
	No.3	48104-3563	1180	90	17.5	13.2	W/Clip
	No.4	48105-2182	760	90	16.0	7.5	W/Clip
	No.5	48115-3481	440	90	15.0	3.9	
	No.6	48117-2720	suppoter	90		3.9	
48120-3610	Assy		1300	90		45.1	
	No.1	48101-4280	1300	90	17.0	15.0	W/Bush
	No.2	48112-4091	1310	90	17.0	13.8	
	No.3	48104-2931	1320	90	17.0	12.0	W/Clip
	No.4	48114-3170	suppoter	90	12.0	4.3	
48120-3741	Assy		1500	90			
	No.1	48101-4330	1500	90	13.0	17.0	W/Bush
	No.2	48112-4910	1515	90	16.0	18.4	
	No.3	48104-3550	1060	90	16.0	10.7	W/Clip
	No.4	48105-2160	610	90	13.0	5.1	W/Clip
	No.5	48115-3470	390	90	13.0	3.1	
	No.6	48116-2980	suppoter	90	14.0	5.7	
48120-5490	Assy		1500	90		51.1	
	No.1	48101-4920	1500	90	14.5	17.5	W/Bush
	No.2	48112-5460	1510	90	14.5	16.1	
	No.3	48104-4130	1100	90	14.5	9.6	W/Clip
	No.4	48114-3890	400	90	10.0	2.4	
	No.5	48114-2690	suppoter	90		5.5	
48120-6281	Assy		1500	90		67.4	
	No.1	48101-5091	1500	90	17.0	19.8	W/Bush
	No.2	48112-5691	1515	90	17.0	18.9	
	No.3	48104-4351	1170	90	16.0	12.5	W/Clip
	No.4	48114-4351	880	90	19.0	10.5	
			suppoter				



ASM Number	No. of Leaf	Leaf Number	Span	Width	Thickness	Weight	Add info
48120-6481	Assy		1300	90		47.7	
	No.1	48101-5221	1300	90	20.0	16.2	W/Bush
	No.2	48102-1101	1310	90	20.0	14.9	W/Clip
	No.3	48113-5251	1320	90	19.0	12.3	W/Clip
	No.4	48114-4410	suppoter	90	12.0	4.3	
48120-7083	Assy		1500	90		49.2	
	No.1	48101-5331	1500	90	15.5	18.5	W/Bush
	No.2	48112-5931	1510	90	15.5	16.9	
	No.3	48104-4662	1220	90	15.5	11.4	W/Clip
	No.4	48114-4472	400	90	10.0	2.4	
48120-7901	Assy		1300	70/60		24.0	
	No.1	48101-4080	1300	70/60	11.5	8.8	W/Bush
	No.2	48112-4741	1305	60	14.0	9.0	
	No.3	48104-3463	820	60	12.0	4.1	W/Clip
	No.4	48114-3663	460	60	12.0	2.1	
48120-8861	Assy		1300	70		28.1	
	No.1	48101-5561	1300	70	13.0	10.5	W/Bush
	No.2	48112-6231	1310	70	13.0	10.1	
	No.3	48104-5260	880	70	13.2	5.6	W/Clip
48150-1300	Assy		1300	70			
	No.1	48101-6330	1300	70	18.5	11.1	W/Bush
	No.2	48103-1440	1305	70	20.0	10.2	W/Clip
	48150-1320	Assy		1300	70		28.3
No.1	48101-6330	1300	70	18.5	11.1	W/Bush	
No.2	48112-7090	1305	70	20.0	10.2		
No.3	48104-5580	1310	70	14.0	7.0	W/Clip	
48150-1341	Assy		1300	70		27.5	
	No.1	48101-6330	1300	70	18.5	10.7	W/Bush
	No.2	48112-7090	1305	70	20.0	9.4	
48150-1400	Assy		1300	70		27.2	
	No.1	48101-6190	1300	70	12.4	10.2	W/Bush
	No.2	48112-6950	1315	70	12.4	9.7	
	No.3	48104-5590	880	70	12.7	5.4	W/Clip
No.4	48105-2820	400	70	10.0	1.9		



ASM Number	No. of Leaf	Leaf Number	Span	Width	Thickness	Weight	Add info
48150-1410	Assy		1300	70		35.2	
	No.1	48101-6190	1300	70	12.4	10.2	W/Bush
	No.2	48112-6950	1315	70	12.4	9.7	
	No.3	48113-6580	1330	70	11.0	8.0	
	No.4	48104-5600	880	70	12.7	5.4	W/Clip
	No.5	48105-2830	400	70	10.0	1.9	W/Clip
48150-2730	Assy		1470	80		56.6	
	No.1	48101-6390	1470	80	19.5	15.8	W/Bush
	No.2	48112-7160	1475	80	19.5	14.2	
	No.3	48113-6800	1480	80	19.5	13.3	
	No.4	48104-5770	1480	80	19.5	13.3	W/Clip
	No.5	48118-3490	suppoter	80			
48150-3070	Assy		1700	90		51.3	
	No.1	48101-6700	1700	90	27.6	26.2	W/Bush
	No.2	48103-1490	1715	90	29.0	25.1	W/Clip
48150-3080	Assy		1700	90		67.7	
	No.1	48101-6700	1700	90	27.6	26.2	W/Bush
	No.2	48112-7560	1715	90	29.0	25.1	
	No.3	48104-6140	1730	90	19.5	16.4	W/Clip
48150-3110	Assy		1700	90		43.8	
	No.1	48101-6720	1700	90	23.5	22.4	W/Bush
	No.2	48103-1510	1715	90	25.0	21.4	W/Clip
48150-3920	Assy		1700	90		55.7	
	No.1	48101-6720	1700	90	23.5	22.4	W/Bush
	No.2	48112-7580	1715	90	25.0	21.4	
	No.3	48104-6160	1730	90	13.0	11.9	W/Clip



ASM Number	No. of Leaf	Leaf Number	Span	Width	Thickness	Weight	Add info
48210-2930	Assy		1480	90		111.2	
	No.1	48211-1650	1480	90	18.0	18.8	
	No.2	48212-1700	1420	90	18.0	18.1	
	No.3	48213-1760	1440	90	18.0	18.3	
	No.4	48214-1720	1130	90	18.0	14.4	
	No.5	48215-1670	990	90	18.0	12.3	
	No.6	48207-1530	840	90	18.0	10.4	W/Clip
	No.7	48217-1650	680	90	18.0	8.3	
	No.8	48218-1640	530	90	18.0	6.4	
	No.9	48219-1530	390	90	16.0	4.2	
48210-2960	Assy		1400	90		98.9	
	No.1	48211-1680	1400	90	13.0	12.9	
	No.2	48212-1730	1360	90	13.0	12.5	
	No.3	48213-1790	1330	90	13.0	12.2	
	No.4	48214-1750	1225	90	13.0	11.3	
	No.5	48215-1700	1050	90	13.0	9.6	
	No.6	48216-1700	1005	90	13.0	9.2	
	No.7	48217-1640	960	90	13.0	8.8	
	No.8	48209-1210	880	90	13.0	8.1	W/Clip
	No.9	48219-1520	805	90	13.0	7.4	
	No.10	48221-1370	755	90	13.0	6.9	
48210-3901	Assy		1470	70		40.6	
48230-2241	MNo.1	48201-1411	1470	70	11.0	9.8	W/Bush
	MNo.2	48212-2310	1450	70	11.0	9.9	
	MNo.3	48204-1190	1100	70	10.0	5.8	W/Clip
	MNo.4	48214-2290	930	70	10.0	4.9	
	MNo.5	48215-2070	760	70	10.0	3.9	
	MNo.6	48216-2100	580	70	10.0	2.9	
	MNo.7	48217-2060	410	70	10.0	2.0	
	MNo.8	48218-1970	250	70	10.0	1.4	
48260-1700	HNo.1	48261-1420	1015	70	9.0	5.0	
	HNo.2	48262-1490	910	70	10.0	5.0	
	HNo.3	48263-1410	810	70	10.0	4.3	
	HNo.4	48264-1400	670	70	10.0	3.5	
	HNo.5	48018-1220	530	70	10.0	2.7	W/Clip
	HNo.6	48266-1370	390	70	10.0	2.0	
	HNo.7	48267-1190	250	70	10.0	1.3	



ASM Number	No. of Leaf	Leaf Number	Span	Width	Thickness	Weight	Add info
48210-5630	Assy		1350	90		72.7	
	No.1	48211-2310	1350	90	16.0	15.3	
	No.2	48212-2640	1350	90	16.0	15.3	
	No.3	48213-2790	980	90	18.0	12.2	
	No.4	48214-2510	830	90	18.0	10.3	
	No.5	48206-1860	680	90	18.0	8.4	W/Clip
	No.6	48216-2310	530	90	18.0	6.5	
	No.7	48217-2260	380	90	18.0	4.7	
48210-6010	Assy		1400	90		98.6	
	No.1	48211-2440	1400	90	13.0	12.9	
	No.2	48212-2760	1360	90	13.0	12.5	
	No.3	48213-3170	1360	90	13.0	12.5	
	No.4	48214-2600	1215	90	13.0	11.2	
	No.5	48215-2690	1050	90	13.0	9.6	
	No.6	48216-2710	995	90	13.0	9.1	
	No.7	48217-2340	940	90	13.0	8.6	
	No.8	48209-1590	870	90	13.0	8.0	W/Clip
	No.9	48219-2040	800	90	13.0	7.3	
	No.10	48221-1740	755	90	13.0	6.9	
48210-6060	Assy		1400	90		106.8	
	No.1	48211-2450	1400	90	13.0	12.9	
	No.2	48212-2770	1360	90	13.0	12.5	
	No.3	48213-2920	1360	90	13.0	12.5	
	No.4	48214-2520	1215	90	13.0	11.2	
	No.5	48215-2410	1050	90	13.0	9.6	
	No.6	48216-2320	985	90	13.0	9.0	
	No.7	48217-2350	940	90	13.0	8.6	
	No.8	48217-2360	905	90	13.0	8.3	
	No.9	48209-1600	870	90	13.0	8.0	W/Clip
	No.10	48219-2050	800	90	13.0	7.3	
	No.11	48221-1750	750	90	13.0	6.9	



ASM Number	No. of Leaf	Leaf Number	Span	Width	Thickness	Weight	Add info
48210-6610	Assy		1400	90		107.7	
	No.1	48211-2450	1400	90	13.0	12.9	
	No.2	48212-2770	1360	90	13.0	12.5	
	No.3	48213-3180	1370	90	13.0	12.6	
	No.4	48214-2880	1225	90	13.0	11.3	
	No.5	48215-2660	1050	90	13.0	9.6	
	No.6	48216-2680	1005	90	13.0	9.2	
	No.7	48217-2630	960	90	13.0	8.8	
	No.8	48217-2640	920	90	13.0	8.4	
	No.9	48209-1750	880	90	13.0	8.1	W/Clip
	No.10	48219-2230	805	90	13.0	7.4	
	No.11	48221-1860	755	90	13.0	6.9	
48210-7010	Assy		1470	70		60.8	
48230-3440	MNo.1	48201-1910	1470	70	11.0	9.8	W/Bush
	MNo.2	48212-3270	1430	70	11.0	9.9	
	MNo.3	48204-1470	1100	70	11.0	6.4	W/Clip
	MNo.4	48214-3030	900	70	11.0	5.2	
	MNo.5	48215-2800	700	70	11.0	4.0	
	MNo.6	48216-2810	500	70	11.0	2.8	
	MNo.7	48217-2760	300	70	11.0	1.5	
48260-2490	HNo.1	48261-1760	1020	70	10.0	5.6	
	HNo.2	48262-1870	910	70	10.0	5.0	
	HNo.3	48017-1570	720	70	11.0	4.1	W/Clip
	HNo.4	48264-1740	560	70	11.0	3.2	
	HNo.5	48265-1680	400	70	9.0	1.9	
	HNo.6	48266-1670	300	70	10.0	1.4	
48210-7263	Assy		1640	100		88.2	
	No.1	48202-1600	1640	100	22.0	23.8	W/Bush
	No.2	48212-3421	1660	100	22.0	22.8	
	No.3	48213-3401	1680	100	22.0	20.8	
	No.4	48205-1622	1680	100	22.0	20.8	W/Clip



ASM Number	No. of Leaf	Leaf Number	Span	Width	Thickness	Weight	Add info
48210-9130	Assy		1475	70		55.0	
48230-4570	MNo.1	48201-2510	1475	70	11.0	9.8	W/Bush
	MNo.2	48212-4190	1430	70	11.0	9.9	
	MNo.3	48204-1770	1000	70	14.0	7.1	W/Clip
	MNo.4	48214-3670	650	70	14.0	4.4	
	MNo.5	48215-3350	350	70	11.0	1.9	
48260-3070	HNo.1	48261-2090	1011	70	11.0	6.1	
	HNo.2	48262-2290	900	70	12.0	5.9	
	HNo.3	48017-2000	680	70	12.0	4.2	W/Clip
	HNo.4	48264-2030	470	70	12.0	2.8	
	HNo.5	48265-1940	310	70	11.0	1.6	
48210-9850	Assy		1400	90		99.5	
	No.1	48211-1680	1400	90	13.0	12.9	
	No.2	48212-1730	1360	90	13.0	12.5	
	No.3	48213-3170	1370	90	13.0	12.6	
	No.4	48214-3820	1225	90	13.0	11.3	
	No.5	48215-3510	1060	90	13.0	9.7	
	No.6	48216-3450	1010	90	13.0	9.3	
	No.7	48217-1640	960	90	13.0	8.8	
	No.8	48209-1210	880	90	13.0	8.1	W/Clip
	No.9	48219-1520	805	90	13.0	7.4	
	No.10	48221-1370	755	90	13.0	6.9	
48210-E0050	Assy		1435	90		119.3	
	No.1	S48211-5610	1435	90	16.0	16.2	
	No.2	S48212-5980	1400	90	16.0	15.8	
	No.3	48213-E0040	1520	90	16.0	17.2	
	No.4	S48214-5070	1165	90	16.0	13.2	
	No.5	S48215-4530	1080	90	16.0	12.2	
	No.6	S48216-4310	1000	90	16.0	11.0	
	No.7	S48217-4050	920	90	16.0	10.4	
	No.8	S4908-E0100	830	90	16.0	9.4	W/Clip
	No.9	S48219-3080	740	90	14.0	7.3	
	No.10	S48221-2520	665	90	14.0	6.6	



ASM Number	No. of Leaf	Leaf Number	Span	Width	Thickness	Weight	Add info
48210-E0060	Assy		1435	90		132.8	
	No.1	S48211-5610	1435	90	16.0	16.2	
	No.2	S48212-5980	1400	90	16.0	15.8	
	No.3	48213-E0040	1520	90	16.0	17.2	
	No.4	S48214-5070	1165	90	16.0	13.2	
	No.5	S48214-5070	1165	90	16.0	13.2	
	No.6	S48215-4530	1080	90	16.0	12.2	
	No.7	S48216-4310	1000	90	16.0	11.3	
	No.8	S48217-4050	920	90	16.0	10.4	
	No.9	S48209-2510	830	90	16.0	9.4	W/Clip
	No.10	S48219-3080	740	90	14.0	7.3	
	No.11	S48221-2520	665	90	14.0	6.6	
48210-E0E20	Assy		1490	90		121.0	
	No.1	S48211-5631	1490	90	18.0	18.9	
	No.2	S48212-6011	1430	90	18.0	18.2	
	No.3	S48213-5861	1450	90	18.0	18.4	
	No.4	S48214-5101	1140	90	18.0	14.5	
	No.5	S48215-4581	1020	90	18.0	13.0	
	No.6	S4906-E0140	890	90	18.0	11.3	W/Clip
	No.7	S48217-4081	750	90	18.0	9.5	
	No.8	S48218-3691	610	90	18.0	7.8	
	No.9	S48219-3101	470	90	16.0	5.3	
	No.10	S48221-2541	360	90	16.0	4.1	
48210-E0E30	Assy		1490	90			
	No.1	S48211-5631	1490	90	18.0	18.9	
	No.2	S48212-6011	1430	90	18.0	18.2	
	No.3	S48213-5861	1450	90	18.0	18.4	
	No.4	S48214-5101	1140	90	18.0	14.5	
	No.5	S48215-4591	1060	90	16.0	12.0	
	No.6	S48215-4581	1020	90	18.0	13.0	
	No.7	S4906-E0150	890	90	18.0	11.3	W/Clip
	No.8	S48217-4081	750	90	18.0	9.5	
	No.9	S48218-3691	610	90	18.0	7.8	
	No.10	S48219-3101	470	90	16.0	5.3	
	No.11	S48221-2541	360	90	16.0	4.1	



ASM Number	No. of Leaf	Leaf Number	Span	Width	Thickness	Weight	Add info
48210-E0E40	Assy		1480	90		110.4	
	No.1	S48211-4653	1480	90	19.0	19.9	
	No.2	S48212-4953	1420	90	19.0	19.1	
	No.3	S48213-4803	1440	90	19.0	19.3	
	No.4	S48214-4173	1130	90	20.0	16.0	
	No.5	S4905-E0020	940	90	20.0	13.3	W/Clip
	No.6	S48216-3723	770	90	20.0	10.9	
	No.7	S48217-3453	570	90	19.0	7.2	
	No.8	S48218-3520	390	90	17.0	4.7	
48210-E0G20	Assy		1500	90		85.9	
	MNo.1	48201-EV290	1500	90	22.0	21.5	W/Bush
	MNo.2	48212-EV440	1515	90	22.0	18.6	
	MNo.3	48202-EV170	1530	90	22.0	17.6	W/Clip
	HNo.1	48261-EV290	1165	90	24.5	14.1	
	HNo.2	48208-EV050	1165	90	24.5	14.1	
48210-E0G41	Assy		1530	90		93.0	
	No.1	48211-EV240	1530	90	32.5	24.3	
	No.2	48212-EV380	1470	90	32.5	23.6	
	No.3	48213-EV370	1490	90	33.0	25.2	
	No.4	48202-EV100	1120	90	34.0	19.9	W/Clip
48210-E0G51	Assy		1530	90		95.8	
	No.1	48211-EV250	1530	90	34.0	25.0	
	No.2	48212-EV390	1470	90	34.0	24.3	
	No.3	48213-EV380	1490	90	34.0	25.8	
	No.4	48202-EV110	1120	90	34.0	20.7	W/Clip
48210-E0G61	Assy		1530	90		97.5	
	No.1	48211-EV260	1530	90	34.5	25.6	
	No.2	48212-EV400	1470	90	34.5	24.9	
	No.3	48213-EV390	1490	90	34.5	26.8	
	No.4	48202-EV120	1120	90	34.5	20.2	W/Clip
48210-E0G71	Assy		1530	90		114.5	
	No.1	48211-EV270	1530	90	34.0	25.0	
	No.2	48212-EV410	1470	90	34.0	24.3	
	No.3	48213-EV400	1490	90	33.0	26.4	
	No.4	48214-EV320	1120	90	33.0	19.4	
	No.5	48202-EV150	1120	90	33.0	19.4	W/Clip



ASM Number	No. of Leaf	Leaf Number	Span	Width	Thickness	Weight	Add info
48220-2220	Assy		1350	90		72.9	
	No.1	48211-4640	1350	90	16.0	15.3	
	No.2	48212-4940	1350	90	16.0	15.3	
	No.3	48213-4790	980	90	18.0	12.3	
	No.4	48214-4160	830	90	18.0	10.4	
	No.5	48206-2430	680	90	18.0	8.4	W/Clip
	No.6	48216-3710	530	90	18.0	6.5	
	No.7	48217-3440	380	90	18.0	4.7	
48220-2300	Assy		1400	90		86.4	
48220-2301	No.1	48211-4700	1400	90	14.0	13.8	
	No.2	48212-5011	1360	90	14.0	13.5	
	No.3	48212-5041	1370	90	14.0	13.6	
	No.4	48214-4221	1075	90	14.0	10.6	
	No.5	48215-3831	995	90	14.0	9.8	
	No.6	48207-2271	920	90	14.0	9.1	W/Clip
	No.7	48217-3481	845	90	14.0	8.4	
	No.8	48218-3211	765	90	14.0	7.6	
48220-2311	Assy		1400	90		87.0	
	No.1	48211-4711	1400	90	14.0	13.8	
	No.2	48212-5021	1360	90	14.0	13.5	
	No.3	48213-4861	1370	90	14.0	13.6	
	No.4	48214-4231	1175	90	14.0	11.6	
	No.5	48215-3841	1005	90	14.0	9.9	
	No.6	48207-2291	900	90	14.0	8.9	W/Clip
	No.7	48218-3221	830	90	14.0	8.2	
	No.8	48219-2741	760	90	14.0	7.5	
48220-2321	Assy		1400	90		96.4	
	No.1	48211-4711	1400	90	14.0	13.8	
	No.2	48212-5021	1360	90	14.0	13.5	
	No.3	48213-4861	1370	90	14.0	13.6	
	No.4	48214-4231	1175	90	14.0	11.6	
	No.5	48215-3481	1005	90	14.0	9.9	
	No.6	48216-3761	955	90	14.0	9.4	
	No.7	48208-1601	900	90	14.0	8.9	W/Clip
	No.8	48218-3221	830	90	14.0	8.2	
	No.9	48219-2741	730	90	14.0	7.5	



ASM Number	No. of Leaf	Leaf Number	Span	Width	Thickness	Weight	Add info
48220-3581	Assy		1430	90		107.8	
	No.1	48211-5171	1430	90	15.0	15.2	
	No.2	48212-5511	1390	90	15.0	14.7	
	No.3	48213-5331	1400	90	15.0	14.8	
	No.4	48214-4361	1255	90	15.0	13.3	
	No.5	48215-4420	1145	90	15.0	12.1	
	No.6	48216-4240	1060	90	15.0	11.2	
	No.7	48208-1860	970	90	15.0	10.3	W/Clip
	No.8	48218-3600	870	90	14.0	8.6	
	No.9	48219-3020	770	90	14.0	7.6	
48220-3601	Assy		1430	90		94.5	
	No.1	48211-5161	1430	90	15.0	15.2	
	No.2	48212-5501	1390	90	15.0	14.7	
	No.3	48213-4991	1400	90	15.0	14.8	
	No.4	48214-4930	1145	90	15.0	12.1	
	No.5	48215-4400	1060	90	15.0	11.2	
	No.6	48207-2430	970	90	15.0	10.3	W/Clip
	No.7	48217-3960	870	90	14.0	8.6	
	No.8	48218-3590	770	90	14.0	7.6	
48220-4290	Assy		1400	90		93.0	
	No.1	48211-5490	1400	90	15.0	14.8	
	No.2	48212-5830	1360	90	15.0	14.4	
	No.3	48213-5620	1370	90	15.0	14.5	
	No.4	48214-4880	1110	90	15.0	11.8	
	No.5	48215-4370	1030	90	15.0	10.9	
	No.6	48207-2400	935	90	15.0	9.9	W/Clip
	No.7	48217-3930	830	90	15.0	8.8	
	No.8	48218-3560	750	90	15.0	7.9	



ASM Number	No. of Leaf	Leaf Number	Span	Width	Thickness	Weight	Add info
48220-4850	Assy		1470	70		65.3	
48230-6770	MNo.1	48201-3760	1470	70	11.0	9.8	W/Bush
	MNo.2	48212-5950	1450	70	11.0	9.7	
	MNo.3	48204-2380	1090	70	11.0	6.3	W/Clip
	MNo.4	48214-5020	910	70	11.0	5.2	
	MNo.5	48215-4500	730	70	10.0	3.8	
	MNo.6	48216-4290	570	70	10.0	2.9	
	MNo.7	48217-4030	410	70	10.0	2.0	
	MNo.8	48218-3650	250	70	10.0	1.4	
48260-4550	HNo.1	48261-2720	1000	70	9.0	4.9	
	HNo.2	48262-3030	910	70	10.0	5.0	
	HNo.3	48263-2640	810	70	10.0	4.3	
	HNo.4	48264-2550	670	70	10.0	3.5	
	HNo.5	48018-1730	530	70	10.0	2.8	W/Clip
	HNo.6	48266-2210	390	70	10.0	2.0	
	HNo.7	48267-1810	250	70	10.0	1.4	
48220-4920	Assy		1490	90		156.0	
	No.1	48211-5620	1490	90	18.0	18.9	
	No.2	48212-5990	1430	90	18.0	18.2	
	No.3	48213-5840	1450	90	18.0	18.4	
	No.4	48214-5080	1140	90	18.0	14.5	
	No.5	48215-4540	1040	90	18.0	13.2	
	No.6	48216-4320	960	90	18.0	12.2	
	No.7	48217-4060	890	90	18.0	11.3	
	No.8	48218-3680	800	90	16.0	9.0	
	No.9	48219-3090	760	90	16.0	8.6	
	No.10	48221-2530	700	90	16.0	7.9	
	No.11	48209-2500	650	90	22.0	10.1	W/Clip
	No.12	48223-1480	510	90	22.0	7.9	
	No.13	48224-1320	370	90	22.0	5.8	



ASM Number	No. of Leaf	Leaf Number	Span	Width	Thickness	Weight	Add info
48220-4940	Assy		1435	90		119.2	
	No.1	48211-5610	1435	90	16.0	16.2	
	No.2	48212-5980	1400	90	16.0	15.8	
	No.3	48213-5831	1490	90	16.0	16.8	
	No.4	48214-5070	1165	90	16.0	13.2	
	No.5	48215-4530	1080	90	16.0	12.2	
	No.6	48216-4310	1000	90	16.0	11.3	
	No.7	48217-4050	920	90	16.0	10.4	
	No.8	48209-2480	830	90	16.0	9.4	W/Clip
	No.9	48219-3080	740	90	14.0	7.3	
	No.10	48221-2520	665	90	14.0	6.6	
48220-5030	Assy		1350	90		91.4	
	No.1	48211-4640	1350	90	16.0	15.3	
	No.2	48212-4940	1350	90	16.0	15.3	
	No.3	48213-5880	1350	90	16.0	15.3	
	No.4	48213-5870	1020	90	19.0	13.4	
	No.5	48214-5110	860	90	19.0	11.2	
	No.6	48206-2710	700	90	19.0	9.1	W/Clip
	No.7	48216-4340	540	90	19.0	6.9	
	No.8	48217-4100	380	90	19.0	4.9	
48220-5051	Assy		1350	90		103.5	
	No.1	48211-5660	1350	90	16.0	15.3	
	No.2	48212-6040	1350	90	16.0	15.3	
	No.3	48213-5900	1350	90	16.0	15.3	
	No.4	48214-5120	1000	90	16.0	11.3	
	No.5	48215-4630	900	90	16.0	10.2	
	No.6	48207-2590	810	90	16.0	9.2	W/Clip
	No.7	48217-4130	700	90	16.0	7.9	
	No.8	48218-3701	610	90	18.0	7.8	
	No.9	48219-3111	500	90	18.0	6.4	
	No.10	48221-2551	380	90	18.0	4.8	



ASM Number	No. of Leaf	Leaf Number	Span	Width	Thickness	Weight	Add info
48220-5071	Assy		1490	90		121.0	
	No.1	48211-5631	1490	90	18.0	18.9	
	No.2	48212-6011	1430	90	18.0	18.2	
	No.3	48213-5861	1450	90	18.0	18.4	
	No.4	48214-5101	1140	90	18.0	14.5	
	No.5	48215-4581	1020	90	18.0	13.0	
	No.6	48207-2541	890	90	18.0	11.3	W/Clip
	No.7	48217-4081	750	90	18.0	9.5	
	No.8	48218-3691	610	90	18.0	7.8	
	No.9	48219-3101	470	90	16.0	5.3	
	No.10	48221-2541	360	90	16.0	4.1	
48220-5100	Assy		1350	90		76.1	
	No.1	48211-4640	1350	90	16.0	15.3	
	No.2	48212-4940	1350	90	16.0	15.3	
	No.3	48213-5870	1020	90	19.0	13.4	
	No.4	48214-5110	860	90	19.0	11.2	
	No.5	48206-2700	700	90	19.0	9.1	W/Clip
	No.6	48216-4340	540	90	19.0	6.9	
	No.7	48217-4100	380	90	19.0	4.9	
48220-5801	Assy		1490	90		126.9	
	No.1	48211-6021	1490	90	18.0	18.9	
	No.2	48212-6341	1430	90	18.0	18.2	
	No.3	48213-6141	1450	90	20.0	20.5	
	No.4	48214-5291	1130	90	20.0	16.0	
	No.5	48215-4811	990	90	20.0	14.0	
	No.6	48207-2631	850	90	20.0	12.0	W/Clip
	No.7	48217-4251	710	90	18.0	9.0	
	No.8	48218-3831	590	90	18.0	7.5	
	No.9	48219-3231	480	90	18.0	6.1	
	No.10	48221-2631	370	90	18.0	4.7	



ASM Number	No. of Leaf	Leaf Number	Span	Width	Thickness	Weight	Add info
48220-5943	Assy		1470	70		60.3	
48230-7130	MNo.1	48201-4050	1470	70	14.5	12.5	W/Bush
	MNo.2	48212-6412	1415	70	14.5	12.2	
	MNo.3	48204-2530	960	70	14.0	6.9	W/Clip
	MNo.4	48214-5350	570	70	10.0	2.9	
	MNo.5	48215-4870	390	70	10.0	1.9	
48260-4810	HNo.1	48261-2870	1000	70	13.5	7.4	
	HNo.2	48262-3220	900	70	13.5	6.7	
	HNo.3	48017-2910	650	70	10.0	3.4	W/Clip
	HNo.4	48264-2680	530	70	10.0	2.8	
	HNo.5	48265-2550	410	70	10.0	2.1	
	HNo.6	48266-2290	290	70	10.0	1.5	
48220-6050	Assy		1470	70		52.9	
48230-7220	MNo.1	48201-4110	1470	70	13.5	11.2	W/Bush
	MNo.2	48212-6440	1415	70	13.5	11.3	
	MNo.3	48204-2560	960	70	13.5	6.6	W/Clip
	MNo.4	48214-5380	560	70	10.0	2.8	
	MNo.5	48215-4890	370	70	10.0	1.7	
48260-4890	HNo.1	48261-2880	1000	70	12.6	6.5	
	HNo.2	48262-3250	900	70	12.6	5.9	
	HNo.3	48017-2930	610	70	10.0	3.1	W/Clip
	HNo.4	48264-2690	460	70	10.0	2.3	
	HNo.5	48265-2560	210	70	10.0	1.5	
48220-6070	Assy		1350	90		108.3	
	No.1	48211-6140	1350	90	16.0	15.3	
	No.2	48212-6450	1350	90	16.0	15.3	
	No.3	48213-6280	1350	90	16.0	15.3	
	No.4	48214-5390	990	90	16.0	11.0	
	No.5	48215-4900	890	90	16.0	9.9	
	No.6	48206-2820	790	90	16.0	8.8	W/Clip
	No.7	48217-4310	690	90	16.0	7.8	
	No.8	48218-3870	600	90	16.0	6.8	
	No.9	48219-3260	510	90	16.0	5.8	
	No.10	48221-2650	430	90	16.0	4.9	
	No.11	48222-1920	350	90	16.0	4.0	
	No.12	48223-1530	300	90	16.0	3.4	



ASM Number	No. of Leaf	Leaf Number	Span	Width	Thickness	Weight	Add info
48220-6270	Assy		1490	90		132.2	
	No.1	48211-5620	1490	90	18.0	18.9	
	No.2	48212-5990	1430	90	18.0	18.2	
	No.3	48213-5840	1450	90	18.0	18.4	
	No.4	48214-5080	1140	90	18.0	14.5	
	No.5	48215-4540	1040	90	18.0	13.2	
	No.6	48216-4320	960	90	18.0	12.2	
	No.7	48208-1950	890	90	18.0	11.3	W/Clip
	No.8	48218-1950	800	90	16.0	9.0	
	No.9	48219-3090	760	90	16.0	8.6	
	No.10	48221-2530	700	90	16.0	7.9	
48220-6310	Assy		1490	90		146.1	
	No.1	48211-5620	1490	90	18.0	18.9	
	No.2	48212-5990	1430	90	18.0	18.2	
	No.3	48213-5840	1450	90	18.0	18.4	
	No.4	48214-5080	1140	90	18.0	14.5	
	No.5	48215-4560	1090	90	18.0	13.9	
	No.6	48215-4540	1040	90	18.0	13.2	
	No.7	48216-4320	960	90	18.0	12.2	
	No.8	48208-1930	890	90	18.0	11.3	W/Clip
	No.9	48218-3680	800	90	16.0	9.0	
	No.10	48219-3090	760	90	16.0	8.6	
	No.11	48221-2530	700	90	16.0	7.9	
48220-6520	Assy		1537	90		84.0	
48230-7420	MNo.1	48201-4280	1540	90	18.5	16.4	W/Bush
	MNo.2	48212-6730	1540	90	19.0	15.6	
	MNo.3	48213-6440	1555	90	19.0	14.2	
	MNo.4	48205-2890	1581	90	19.0	14.4	W/Clip
48260-5100	HNo.1	48261-2950	1060	90	15.5	7.8	
	HNo.2	48262-3420	1060	90	15.5	7.8	
	HNo.3	48263-2940	1062	90	15.5	7.8	
48220-6741	Assy		1510	90		96.7	
	No.1	48211-6410	1490	90	33.0	24.3	
	No.2	48212-6831	1450	90	33.0	23.8	
	No.3	48213-6491	1450	90	33.0	23.8	
	No.4	48214-5180	1530	90	33.0	24.8	



ASM Number	No. of Leaf	Leaf Number	Span	Width	Thickness	Weight	Add info
48220-8090	Assy		1537	90		86.8	
48230-8040	MNo.1	48201-4730	1540	90	18.5	17.9	W/Bush
	MNo.2	48212-7330	1540	90	19.0	15.7	
	MNo.3	48213-7060	1555	90	19.0	14.8	
	MNo.4	48205-3160	1581	90	19.0	15.0	W/Clip
48260-5100	HNo.1	48261-2950	1060	90	15.5	7.8	
	HNo.2	48262-3420	1060	90	15.5	7.8	
	HNo.3	48263-2940	1062	90	15.5	7.8	
48220-8220	Assy		1510	90		96.7	
	No.1	48211-6410	1490	90	33.0	24.3	
	No.2	48212-6831	1450	90	33.0	23.8	
	No.3	48213-6491	1450	90	33.0	23.8	
	No.4	48214-5180	1530	90	33.0	24.8	
48220-1801	Assy		1470	60/70		47.9	
48230-5300	MNo.1	48201-3050	1470	60/70	12.8	9.2	W/Bush
	MNo.2	48212-4790	1451	60	12.5	9.0	
	MNo.3	48204-1960	960	60	14.0	5.9	W/Clip
	MNo.4	48214-4020	660	60	14.0	3.7	
	MNo.5	48215-3680	370	60	12.0	1.8	
48260-3480	HNo.1	48261-2280	1011	60	11.0	5.2	
	HNo.2	48262-2530	900	60	14.5	5.8	
	HNo.3	48017-2250	640	60	12.0	3.4	W/Clip
	HNo.4	48264-2180	460	60	12.0	2.4	
	HNo.5	48265-2090	310	60	12.0	1.5	
48220-2060	Assy		1565	80		95.1	
48230-5580	MNo.1	48201-3100	1565	80	13.0	14.1	W/Bush
	MNo.2	48212-4880	1515	80	14.0	15.3	
	MNo.3	48213-4730	1120	80	14.0	9.8	
	MNo.4	48214-4120	940	80	13.0	7.7	
	MNo.5	48206-2400	760	80	11.0	4.9	W/Clip
	MNo.6	48216-3670	560	80	11.0	3.6	
	MNo.7	48217-3410	360	80	11.0	2.2	
48260-3640	HNo.1	48261-2350	1140	80	13.0	9.3	
	HNo.2	48262-2610	1030	80	13.0	8.4	
	HNo.3	48263-2280	880	80	11.0	5.9	
	HNo.4	48264-2230	740	80	11.0	4.9	
	HNo.5	48018-1530	600	80	11.0	4.0	W/Clip
	HNo.6	48266-1970	460	80	11.0	3.0	
	HNo.7	48267-1610	320	80	10.0	2.0	



ASM Number	No. of Leaf	Leaf Number	Span	Width	Thickness	Weight	Add info
48220-2233	Assy		1480	90		110.4	
48220-2232	No.1	48211-4653	1480	90	19.0	19.9	
48220-4220	No.2	48212-4953	1420	90	19.0	19.1	
	No.3	48213-4803	1440	90	19.0	19.3	
	No.4	48214-4173	1130	90	20.0	16.0	
	No.5	48206-2443	940	90	20.0	13.3	W/Clip
	No.6	48216-3723	770	90	20.0	10.9	
	No.7	48217-3453	570	90	19.0	7.2	
	No.8	48218-3520	390	90	17.0	4.7	
	48220-3226	Assy		1535	90		84.0
48230-6075	MNo.1	48201-4380	1535	90	16.0	18.6	W/Bush
	MNo.2	48212-5263	1523	90	16.0	18.7	
	MNo.3	48204-2152	1110	90	16.0	12.5	W/Clip
	MNo.4	48205-2493	900	90	26.0	12.5	W/Clip
48260-2170	HNo.1	48261-2170	1060	90	22.0	11.9	
48220-4911	Assy		1490	90		133.0	
	No.1	48211-5631	1490	90	18.0	18.9	
	No.2	48212-6011	1430	90	18.0	18.2	
	No.3	48213-5861	1450	90	18.0	18.4	
	No.4	48214-5101	1140	90	18.0	14.5	
	No.5	48215-4591	1060	90	16.0	12.0	
	No.6	48215-4581	1020	90	18.0	13.0	
	No.7	48207-2551	890	90	18.0	11.3	W/Clip
	No.8	48217-4081	750	90	18.0	9.5	
	No.9	48218-3691	610	90	18.0	7.8	
	No.10	48219-3101	470	90	16.0	5.3	
	No.11	48221-2541	360	90	16.0	4.1	
48220-5361	Assy		1615	90		84.8	
48230-6931	MNo.1	48201-3851	1615	90	16.0	19.4	W/Bush
	MNo.2	48212-5031	1584	90	16.5	18.7	
	MNo.3	48204-2030	1000	90	16.0	11.3	W/Clip
	MNo.4	48205-2330	680	90	14.0	6.2	W/Clip
	MNo.5	48215-3850	400	90	13.0	3.2	
48230-3711	HNo.1	48261-2370	1090	90	14.5	11.2	
	HNo.2	48262-2640	1010	90	14.5	8.8	
	HNo.3	48017-2310	550	90	11.0	3.9	W/Clip
	HNo.4	48264-2250	330	90	11.0	2.1	



ASM Number	No. of Leaf	Leaf Number	Span	Width	Thickness	Weight	Add info
48220-5440	Assy		1490	90		89.5	
	No.1	48211-5840	1490	90	18.0	18.9	
	No.2	48212-6140	1430	90	18.0	18.2	
	No.3	48213-6000	1450	90	18.0	18.4	
	No.4	48214-4530	990	90	18.0	12.6	
	No.5	48206-2560	790	90	18.0	9.8	W/Clip
	No.6	48216-3890	590	90	17.0	6.8	
	No.7	48217-3610	420	90	17.0	4.8	
48220-5993	Assy		1470	60/70		43.4	
48230-7172	MNo.1	48201-3740	1473	60/70	12.8	9.2	W/Bush
	MNo.2	48212-5931	1452	60	14.5	9.4	
	MNo.3	48204-2351	920	60	13.5	5.2	W/Clip
	MNo.4	48214-5001	440	60	10.0	1.8	
48260-4831	HNo.1	48261-2711	1000	60	11.0	5.2	
	HNo.2	48262-2531	900	60	14.5	5.5	
	HNo.3	48017-2251	640	60	12.0	3.4	W/Clip
	HNo.4	48264-2181	460	60	12.0	2.4	
	HNo.5	48265-2091	310	60	12.0	1.5	
48220-6020	Assy		1470	60/70		47.8	
48230-7200	MNo.1	48201-3730	1470	60/70	12.8	9.2	W/Bush
	MNo.2	48212-5920	1452	60	12.5	8.9	
	MNo.3	48204-2330	960	60	14.0	5.9	W/Clip
	MNo.4	48214-4990	660	60	14.0	3.7	
	MNo.5	48215-4490	370	60	12.0	1.8	
48260-4850	HNo.1	48261-2700	1000	60	11.0	5.2	
	HNo.2	48262-2550	900	60	14.5	5.8	
	HNo.3	48017-2270	640	60	12.0	3.4	W/Clip
	HNo.4	48264-2190	460	60	12.0	2.4	
	HNo.5	48265-2100	310	60	12.0	1.5	
48220-6774	Assy		1430	90		86.2	
48230-7502	MNo.1	48201-4401	1430	90	16.5	18.6	W/Bush
	MNo.2	48212-6862	1415	90	16.5	14.4	
	MNo.3	48213-6522	1430	90	16.5	13.0	
	MNo.4	48205-2952	1432	90	20.0	14.6	W/Clip
48260-5153	HNo.1	48261-2970	1032	90	17.2	8.6	
	HNo.2	48262-3442	1032	90	17.2	8.4	
	HNo.3	48204-2860	1032	90	17.2	8.6	W/Clip



ASM Number	No. of Leaf	Leaf Number	Span	Width	Thickness	Weight	Add info
48220-7051	Assy		1430	90		86.8	
48230-7510	MNo.1	48201-4450	1430	90	16.5	18.2	W/Bush
	MNo.2	48212-6950	1415	90	19.0	14.8	
	MNo.3	48213-6610	1430	90	19.0	13.4	
	MNo.4	48205-2980	1432	90	19.0	13.4	W/Clip
48260-5170	HNo.1	48261-3000	1032	90	18.0	9.1	
	HNo.2	48262-3460	1032	90	18.0	8.8	
	HNo.3	48204-2870	1032	90	18.0	9.1	W/Clip
48220-7300	Assy		1450	60		49.6	
48230-7630	MNo.1	48201-4520	1450	60	21.0	10.4	W/Bush
	MNo.2	48212-7020	1432	60	22.0	9.6	
	MNo.3	48204-2920	1255	60	15.6	6.4	W/Clip
48260-5200	HNo.1	48261-3010	1000	60	20.5	6.3	
	HNo.2	48262-3470	900	60	20.5	5.8	
	HNo.3	48263-2990	900	60	20.5	5.8	
	HNo.4	48264-2810	900	60	18.0	5.3	W/Clip
48220-7310	Assy		1450	60		49.6	
48230-7640	MNo.1	48201-4530	1450	60	21.0	10.4	W/Bush
	MNo.2	48212-7020	1432	60	22.0	9.6	
	MNo.3	48204-2920	1255	60	15.6	6.4	W/Clip
48260-5200	HNo.1	48261-3010	1000	60	20.5	6.3	
	HNo.2	48262-3470	900	60	20.5	5.8	
	HNo.3	48263-2990	900	60	20.5	5.8	
	HNo.4	48264-2810	900	60	18.0	5.3	W/Clip
48220-7360	Assy		1450	70		81.6	
48230-7730	MNo.1	48201-4560	1450	70	17.4	11.6	W/Bush
	MNo.2	48212-7040	1431	70	18.5	11.2	
	MNo.3	48213-6710	1255	70	18.5	9.3	
	MNo.4	48214-5720	1255	70	14.2	7.3	
	MNo.5	48205-3030	1255	70	14.2	7.3	W/Clip
48260-5240	HNo.1	48261-3030	1000	70	15.9	6.5	
	HNo.2	48262-3490	900	70	15.9	5.9	
	HNo.3	48263-3010	900	70	15.9	5.9	
	HNo.4	48264-2820	900	70	15.9	5.9	
	HNo.5	48265-2650	900	70	12.8	4.8	
	HNo.6	48266-2330	900	70	15.9	5.9	



ASM Number	No. of Leaf	Leaf Number	Span	Width	Thickness	Weight	Add info
MC095836	Assy		1500	90		87.3	
	No.1	MK301589	1500	90	13.0	16.7	W/Bush
	No.2	MK301590	1510	90	13.0	15.7	
	No.3	MK301606	1500	90	13.0	13.8	
	No.4	MK301607	1270	90	13.0	11.2	W/Clip
	No.5	MK301600	1080	90	13.0	9.5	
	No.6	MK301601	890	90	13.0	7.7	
	No.7	MK301602	700	90	13.0	6.0	
	No.8	MK301608	510	90	13.0	4.2	W/Clip
	No.9	MK301605	320	90	13.0	2.5	
MC423001	Assy		1200	70		32.3	
	No.1	MC423071	1200	70	9.0	6.4	W/Bush
	No.2	MC423072	1200	70	9.0	6.7	
	No.3	MC423073	1046	70	9.0	5.2	
	No.4	MC042075	886	70	9.0	4.4	W/Clip
	No.5	MC042076	726	70	9.0	3.6	
	No.6	MC423078	566	70	9.0	2.8	W/Clip
	No.7	MC423079	412	70	9.0	2.0	
	No.8	MC423080	252	70	9.0	1.2	
MC556256	Assy		1620	90		104.5	
	No.1	MC557323	1620	90	14.0	17.6	W/Bush
	No.2	MC557324	1620	90	16.0	20.7	
	No.3	MC557325	1625	90	16.0	18.4	
	No.4	MC557327	1260	90	16.0	13.8	W/Clip
	No.5	MC557328	1050	90	16.0	11.4	
	No.6	MC557329	840	90	16.0	9.0	
	No.7	MC557331	620	90	14.0	5.8	W/Clip
	No.8	MC557332	480	90	14.0	4.5	
	No.9	MC557333	330	90	14.0	3.3	

ASM Number	No. of Leaf	Leaf Number	Span	Width	Thickness	Weight	Add info
MC558044	Assy		1620	90		132.3	
	No.1	MC557323	1620	90	14.0	17.6	W/Bush
	No.2	MC557324	1260	90	16.0	20.7	
	No.3	MC557325	1620	90	16.0	18.3	
	No.4	MC559886	1260	90	16.0	14.2	
	No.5	MC559887	1260	90	16.0	13.7	W/Clip
	No.6	MC559570	1050	90	16.0	11.9	
	No.7	MC557328	1050	90	16.0	11.3	
	No.8	MC557329	840	90	16.0	9.0	
	No.9	MC559571	630	90	16.0	6.8	W/Clip
	No.10	MC557332	480	90	16.0	5.1	
	No.11	MC557333	330	90	16.0	3.7	
MK305426	Assy		1300	60/70		31.6	
	No.1	MK305741	1300	60/70	11.0	8.7	W/Bush
	No.2	MK305743	1310	60	14.0	9.5	
	No.3	MK305756	1300	60	11.0	6.7	
	No.4	MK305767	850	60	14.0	4.9	W/Bush
	No.5	MK305746	370	60	12.0	1.8	
MK319483	Assy		1300	70		27.4	
	No.1	MK330568	1300	70	18.0	10.6	W/Bush
	No.2	MK330570	1310	70	20.0	9.9	
	No.3	MK330572	1320	70	14.0	6.9	W/Clip
MK319493	Assy		1650	90		51.9	
	No.1	MK319499	1650	90	18.0	18.5	W/Bush
	No.2	MK319500	1670	90	18.0	17.6	
	No.3	MK329259	1690	90	18.0	15.8	W/Clip
MK319496	Assy		1650	90		54.2	
	No.1	MK319502	1650	90	19.0	19.2	W/Bush
	No.2	MK319503	1670	90	19.0	18.4	
	No.3	MK329260	1690	90	19.0	16.6	W/Clip
MK332695	Assy		1300	70		26.9	
	No.1	MK3302483	1300	70	15.0	9.6	W/Bush
	No.2	MK334252	1310	70	17.0	8.9	
	No.3	MK334253	1320	70	17.0	8.4	W/Clip
MK332696	Assy		1300	70		26.9	
	No.1	MK330488	1300	70	15.0	9.6	W/Bush
	No.2	MK334254	1310	70	17.0	8.9	
	No.3	MK334255	1320	70	17.0	8.4	W/Clip



ASM Number	No. of Leaf	Leaf Number	Span	Width	Thickness	Weight	Add info
MK332701	Assy		1300	70		27.8	
	No.1	MK330493	1300	70	15.0	9.6	W/Bush
	No.2	MK334270	1310	70	18.0	9.4	
	No.3	MK334271	1320	70	18.0	8.8	W/Clip
MK332704	Assy		1300	70		34.8	
	No.1	MK330498	1300	70	15.0	9.6	W/Bush
	No.2	MK334272	1310	70	18.0	9.4	
	No.3	MK330502	1320	70	18.0	8.8	
	No.4	MK332643	1320	70	14.0	6.9	W/Clip
MK332707	Assy		1300	70		28.3	
	No.1	MK330564	1300	70	16.0	10.1	W/Bush
	No.2	MK334286	1310	70	18.0	9.4	
	No.3	MK334287	1320	70	18.0	8.8	W/Clip
MK332747	Assy		1300	70		28.3	
	No.1	MK330678	1300	70	16.0	10.1	W/Bush
	No.2	MK334288	1310	70	18.0	9.4	
	No.3	MK334289	1320	70	18.0	8.8	W/Clip
MK336335	Assy		1650	75/90		55.8	
	No.1	MK336480	1650	75/90	25.0	21.7	W/Bush
	No.2	MK383589	1670	75	25.0	17.8	
	No.3	MK336482	1690	75	25.0	16.3	W/Clip
MK336336	Assy		1650	75/90		55.8	
	No.1	MK336484	1650	75/90	25.0	21.7	W/Bush
	No.2	MK383590	1670	75	25.0	17.8	
	No.3	MK336486	1690	75	25.0	16.3	W/Clip
MK470991	Assy		1300	70		29.3	
	No.1	MK471088	1300	70	16.0	9.9	W/Bush
	No.2	MK471090	1310	70	19.0	10.0	
	No.3	MK471091	1320	70	19.0	9.4	W/Clip
MK471527	Assy		1650	90		57.9	
	No.1	MK471864	1650	90	19.0	20.6	W/Bush
	No.2	MK471865	1670	90	19.0	19.6	
	No.3	MK471866	1690	90	19.0	17.7	W/Clip
MK471528	Assy		1650	90		57.9	
	No.1	MK471864	1650	90	19.0	20.6	W/Bush
	No.2	MK471865	1670	90	19.0	19.6	
	No.3	MK471866	1690	90	19.0	17.7	W/Clip



ASM Number	No. of Leaf	Leaf Number	Span	Width	Thickness	Weight	Add info
MK472355	Assy		1300	70		27.8	
	No.1	MK472236	1300	70	16.0	9.9	W/Bush
	No.2	MK472521	1310	70	18.0	9.5	
	No.3	Mk472522	1320	70	18.0	8.9	W/Clip
MK472729	Assy		1650	90		60.0	
	No.1	MK472846	1650	90	20.0	21.5	W/Bush
	No.2	MK472847	1670	90	20.0	20.2	
	No.3	Mk472848	1690	90	20.0	18.3	W/Clip
MK472730	Assy		1650	90		60.0	
	No.1	MK472846	1650	90	20.0	21.5	W/Bush
	No.2	MK472847	1670	90	20.0	20.2	
	No.3	Mk472848	1690	90	20.0	18.3	W/Clip
MK613891	Assy		1650	90		67.7	
	No.1	MK527803	1650	90	28.0	25.8	W/Bush
	No.2	MK527804	1660	90	28.0	25.9	
	No.3	MK527806	1670	90	20.0	16.0	W/Clip
MK613892	Assy		1650	90		52.3	
	No.1	MK527807	1650	90	28.0	25.8	W/Bush
	No.2	MK527809	1660	90	29.0	26.5	W/Clip
MK633527	Assy		1650	90		48.2	
	No.1	MK633732	1650	90	26.0	24.2	W/Bush
	No.2	MK633734	1660	90	26.0	24.0	W/Clip
MC003305	Assy		1400	90		56.6	
	No.1	18454-70231	1400	90	11.0	13.3	W/Bush
	No.2	18454-70232	1405	90	11.0	12.3	
	No.3	MC013716	1230	90	14.0	11.6	
	No.4	MC013718	950	90	14.0	8.8	W/Clip
	No.5	MC013719	970	90	14.0	6.0	
	No.6	MC003311	380	90	11.0	2.8	
	No.7	18854-82114	260	90	11.0	1.8	
MC011778	Assy		1300	90		39.4	
	No.1	MC016922	1300	90	12.0	13.7	W/Bush
	No.2	MC016923	1305	90	14.0	14.9	
	No.3	MC016925	860	90	14.0	7.7	W/Clip
	No.4	MC016926	400	90	12.0	3.1	

ASM Number	No. of Leaf	Leaf Number	Span	Width	Thickness	Weight	Add info
MC012817	Assy		1500	90		62.0	
	No.1	MC015472	1500	90	12.0	15.4	W/Bush
	No.2	MC015473	1505	90	15.0	18.0	
	No.3	MC015952	1190	90	15.0	12.0	W/Clip
	No.4	MC015475	890	90	15.0	8.8	
	No.5	MC015953	590	90	15.0	5.6	W/Clip
	No.6	MC015477	290	90	12.0	2.2	
MC014738	Assy		1500	90		54.7	
	No.1	MC015478	1500	90	13.0	16.7	W/Bush
	No.2	MC015479	1510	90	16.0	19.3	
	No.3	MC015954	1040	90	16.0	10.7	W/Clip
	No.5	MC015482	360	90	13.0	3.0	
MC014794	Assy		1500	90		66.4	
	No.1	MC015478	1500	90	13.0	16.7	W/Bush
	No.2	MC021770	1505	90	13.0	15.7	
	No.3	MC021771	1230	90	13.0	10.8	W/Clip
	No.4	MC021773	1010	90	13.0	8.8	
	No.5	MC021774	790	90	13.0	6.8	
	No.6	MC021775	570	90	13.0	4.8	W/Clip
MC015586	Assy		1500	90			
	No.1	MC015472	1500	90	12.0	15.4	W/Bush
	No.2	MC015473	1505	90	12.0	18.0	
	No.3	MC022570	1500	90	15.0	12.7	
	No.4	MC022571	1180	90	15.0	11.9	W/Clip
	No.5	MC015475	890	90	15.0	8.8	
	No.6	MC022572	580	90	15.0	5.6	W/Clip
MC017354	Assy		1500	90		73.5	
	No.1	MC015478	1500	90	13.0	16.7	W/Bush
	No.2	MC021770	1505	90	13.0	15.7	
	No.3	MC021778	1265	90	13.0	11.2	W/Clip
	No.4	MC021780	1075	90	13.0	9.5	
	No.5	MC021781	885	90	13.0	7.7	
	No.6	MC021782	695	90	13.0	6.0	
	No.7	MC021783	505	90	13.0	4.2	W/Clip
No.8	MC021785	315	90	13.0	2.5		

ASM Number	No. of Leaf	Leaf Number	Span	Width	Thickness	Weight	Add info
MC017355	Assy		1500	90		87.3	
	No.1	MC015478	1500	90	13.0	16.7	W/Bush
	No.2	MC021770	1505	90	13.0	15.7	
	No.3	MC021767	1500	90	13.0	13.8	
	No.4	MC021786	1265	90	13.0	11.2	W/Clip
	No.5	MC021780	1075	90	13.0	9.5	
	No.6	MC021781	885	90	13.0	7.7	
	No.7	MC021782	695	90	13.0	6.0	
	No.8	MC021787	505	90	13.0	4.2	W/Clip
	No.9	MC021785	315	90	13.0	2.5	
MC021793	Assy		1500	90		52.3	
	No.1	MC024285	1500	90	12.0	15.4	W/Bush
	No.2	MC024286	1510	90	15.0	18.2	
	No.3	MC024288	1090	90	15.0	10.3	W/Clip
	No.4	MC024290	700	90	15.0	6.2	W/Clip
	No.5	MC024291	310	90	12.0	2.2	
MC023728	Assy		1500	90		54.7	
	No.1	MC015478	1500	90	13.0	16.7	W/Bush
	No.2	MC015479	1510	90	16.0	19.3	
	No.3	MC015954	1040	90	16.0	10.7	W/Clip
	No.4	MC015955	600	90	13.0	5.0	W/Clip
	No.5	MC015482	360	90	13.0	3.0	
MC034502	Assy		1500	90		53.8	
	No.1	MC034966	1500	90	14.0	18.1	W/Bush
	No.2	MC034967	1510	90	18.0	22.0	
	No.3	MC034969	940	90	18.0	10.2	W/Clip
	No.4	MC034970	420	90	14.0	3.5	
MC034636	Assy		1300	90		45.9	
	No.1	MC035066	1300	90	13.0	14.9	W/Bush
	No.2	MC035067	1310	90	13.0	13.9	
	No.3	MC035069	980	90	14.0	8.9	W/Clip
	No.4	MC035070	660	90	14.0	5.7	
	No.5	MC035071	340	90	12.0	2.5	
MC034637	Assy		1300	90		41.9	
	No.1	MC035072	1300	90	11.0	12.5	W/Bush
	No.2	MC0.35073	1310	90	12.0	12.7	
	No.3	MC035075	1020	90	13.0	8.6	W/Clip
	No.4	MC035076	700	90	13.0	5.6	
	No.5	MC035077	380	90	11.0	2.5	

ASM Number	No. of Leaf	Leaf Number	Span	Width	Thickness	Weight	Add info
MC035438	Assy		1500	90		54.0	
	No.1	MC037264	1500	90	11.0	14.1	W/Bush
	No.2	MC037265	1510	90	13.0	15.6	
	No.3	MC037266	1190	90	13.0	10.2	W/Clip
	No.4	MC037268	890	90	13.0	7.5	
	No.5	MC037269	590	90	13.0	4.7	W/Clip
	No.6	MC037271	290	90	11.0	1.9	
MC035439	Assy		1500	90		65.7	
	No.1	MC037264	1500	90	11.0	14.1	W/Bush
	No.2	MC037265	1510	90	13.0	15.6	
	No.3	MC037272	1500	90	11.0	11.7	
	No.4	MC037273	1190	90	13.0	10.2	W/Clip
	No.5	MC037268	890	90	13.0	7.5	
	No.6	MC037274	590	90	13.0	4.7	W/Clip
MC041243	Assy		1500	90		54.7	
	No.1	MC015478	1500	90	13.0	16.7	W/Bush
	No.2	MC015479	1510	90	16.0	19.3	
	No.3	MC015954	1040	90	16.0	10.7	W/Clip
	No.4	MC015955	600	90	13.0	5.0	W/Clip
MC041247	Assy		1500	90		53.3	
	No.1	MC043036	1500	90	21.0	19.0	W/Bush
	No.2	MC043037	1510	90	21.0	18.0	
	No.3	MC043038	1500	90	21.0	16.3	W/Clip
	MC043938	Assy		1500	90		54.1
No.1		MC045900	1500	90	15.0	14.7	W/Bush
No.2		MC045901	1520	90	15.0	14.0	
No.3		MC045902	1540	90	15.0	12.7	
MC045252	Assy		1500	90		62.0	
	No.1	MC015472	1500	90	12.0	15.4	W/Bush
	No.2	MC015473	1505	90	15.0	18.0	
	No.3	MC015952	1190	90	15.0	12.0	W/Clip
	No.4	MC015475	890	90	15.0	8.8	
	No.5	MC015953	590	90	15.0	5.6	W/Clip
No.6	MC015477	290	90	12.0	2.2		



ASM Number	No. of Leaf	Leaf Number	Span	Width	Thickness	Weight	Add info
MC090243	Assy		1400	80		45.3	
	No.1	MC091322	1400	80	11.0	11.7	W/Bush
	No.2	MC091323	1410	80	11.0	11.0	
	No.3	MC091324	1190	80	13.0	9.3	
	No.4	MC091328	900	80	13.0	6.9	W/Clip
	No.5	MC091326	610	80	13.0	4.5	
	No.6	MC091327	320	80	11.0	1.9	
MC090304	Assy		1300			27.7	
	No.1	MC091087	1300	70	11.0	9.6	W/Bush
	No.2	MC091088	1310	70	13.0	10.7	
	No.3	MC091091	800	70	13.0	5.2	W/Clip
	No.4	MC091090	390	70	12.0	2.2	
MC090484	Assy		1300	70		30.7	
	No.1	MC091101	1300	70	11.0	9.6	W/Bush
	No.2	MC091102	1310	70	13.0	10.7	
	No.3	MC091106	870	70	13.0	5.7	W/Clip
	No.4	MC091104	540	70	11.0	3.0	
	No.5	MC091105	330	70	11.0	1.7	
MC090608	Assy		1500	90		54.9	
	No.1	MC015478	1500	90	13.0	16.7	W/Bush
	No.2	MC015479	1500	90	16.0	19.3	
	No.3	MC015954	1060	90	16.0	10.8	W/Clip
	No.4	MC015955	600	90	13.0	5.1	W/Clip
	No.5	MC015482	380	90	13.0	3.0	
MC091448	Assy		1300	70		47.1	
	No.1	MC092061	1300	70	10.0	8.7	W/Bush
	No.2	MC092063	1310	70	10.0	8.1	
	No.3	MC092064	1300	70	10.0	7.1	
	No.4	MC092065	1130	70	10.0	6.2	
	No.5	MC092066	960	70	10.0	5.3	
	No.6	MC092067	790	70	10.0	4.3	W/Clip
	No.7	MC092069	620	70	10.0	3.4	
	No.8	MC092070	450	70	10.0	2.5	
	No.9	MC092071	280	70	10.0	1.5	



ASM Number	No. of Leaf	Leaf Number	Span	Width	Thickness	Weight	Add info
MC092585	Assy		1500	90		53.6	
	No.1	MC095004	1500	90	21.0	18.9	W/Bush
	No.2	MC095005	1520	90	21.0	18.1	
	No.3	MC095006	1540	90	21.0	16.6	W/Clip
MC092589	Assy		1500	90		56.1	
	No.1	MC095016	1500	90	22.0	19.8	W/Bush
	No.2	MC095017	1520	90	22.0	18.9	
	No.3	MC095018	1540	90	22.0	17.4	W/Clip
MC093576	Assy		1300	70		27.0	
	No.1	MK315470	1300	70	16.0	10.2	W/Bush
	No.2	MK315472	1310	70	16.0	8.7	
	No.3	MK315473	1300	70	16.0	8.1	W/Clip
MC093976	Assy		1500	90		48.8	
	No.1	MK303927	1500	90	19.0	18.0	W/Bush
	No.2	MK303928	1510	90	19.0	16.2	
	No.3	MK303929	1500	90	19.0	14.6	W/Clip
MC093977	Assy		1500	90		48.8	
	No.1	MK303931	1500	90	19.0	18.0	W/Bush
	No.2	MK303932	1510	90	19.0	16.2	
	No.3	MK303933	1500	90	19.0	14.6	W/Clip
MC095836	Assy		1500	90		87.7	
	No.1	MK301589	1500	90	13.0	16.7	W/Bush
	No.2	MK301590	1510	90	13.0	15.7	
	No.3	MK301606	1500	90	13.0	13.8	
	No.4	MK301607	1270	90	13.0	11.3	W/Clip
	No.5	MK301600	1080	90	13.0	9.5	
	No.6	MK301601	890	90	13.0	7.8	
	No.7	MK301602	700	90	13.0	6.0	
	No.8	MK301608	510	90	13.0	4.3	W/Clip
	No.9	MK301605	320	90	13.0	2.6	
MC189221	Assy		1200			20.2	
	No.1	MC189226	1200	70	12.0	7.6	W/Bush
	No.2	MC189227	1210	70	12.0	6.4	
	No.3	MC189231	1220	70	12.0	6.2	W/Clip
MC287136	Assy		1450	90		49.6	
MC288960	No.1	MC286442	1450	90	12.0	15.0	W/Bush
	No.2	MC286443	1460	90	13.0	15.2	
	No.3	MC286445	1030	90	13.0	8.9	W/Clip
	HNo.1	MC286447	780	90	22.0	10.5	W/Clip



ASM Number	No. of Leaf	Leaf Number	Span	Width	Thickness	Weight	Add info
MC288962	Assy		1450	90		49.1	
	No.1	MC288719	1450	90	12.0	15.0	W/Bush
	No.2	MC288720	1460	90	13.0	15.3	
	No.3	MC289062	1040	90	13.0	9.0	W/Clip
	HNo.1	MC288723	780	90	22.0	9.8	W/Clip
MC288963	Assy		1450	90		59.7	
	No.1	MC288719	1450	90	12.0	15.0	W/Bush
	No.2	MC288720	1460	90	13.0	15.3	
	No.3	MC288725	1250	90	12.0	10.3	
	No.4	MC289063	1040	90	13.0	9.0	W/Clip
	HNo.1	MC288727	780	90	22.0	10.1	W/Clip
MC289082	Assy		1450	90		58.3	
	No.1	MC289160	1450	90	12.0	15.0	W/Bush
	No.2	MC289161	1460	90	13.0	15.3	
	No.3	MC289162	1180	90	13.0	10.4	
	No.4	MC289165	960	90	12.0	7.8	W/Clip
	HNo.1	MC289166	780	90	22.0	9.8	W/Clip
MC289083	Assy		1450	90		58.3	
	No.1	MC289173	1450	90	12.0	15.0	W/Bush
	No.2	MC289174	1460	90	13.0	15.3	
	No.3	MC289175	1180	90	13.0	10.4	
	No.4	MC289222	960	90	12.0	7.8	W/Clip
	HNo.1	MC289223	780	90	22.0	9.8	W/Clip
MC321907	Assy		1200	70		21.6	
	No.1	MC317961	1200	70	10.0	8.4	W/Bush
	No.2	MC317962	1200	70	10.0	6.9	
	No.3	MC317963	780	70	11.0	4.2	W/Clip
	No.4	MC317964	420	70	10.0	2.1	
MC364518	Assy		1350	70		35.9	
	No.1	MC364521	1350	70	11.0	10.0	W/Bush
	No.2	MC364522	1360	70	11.0	9.5	
	No.3	MC364523	1100	70	11.0	6.3	W/Clip
	No.4	MC364525	870	70	11.0	4.9	
	HNo.1	MC364526	640	70	18.0	5.2	W/Clip



ASM Number	No. of Leaf	Leaf Number	Span	Width	Thickness	Weight	Add info
MC364519	Assy		1350	70		30.4	
	No.1	MC364528	1350	70	14.0	9.8	W/Bush
	No.2	MC364529	1360	70	16.0	10.9	
	No.3	MC364530	1370	70	16.0	9.7	W/Clip
MC366007	Assy		1250	90		47.9	
	No.1	MC366116	1250	90	11.0	12.1	W/Bush
	No.2	MC366118	1260	90	11.0	11.3	
	No.3	MC366119	1095	90	11.0	8.3	W/Clip
	No.4	MC366121	995	90	11.0	7.4	W/Clip
	HNo.1	MC366123	815	90	18.0	8.8	W/Clip
MC408496	Assy		1300	70		26.6	
	No.1	MC412209	1300	70	10.0	8.7	W/Bush
	No.2	MC412210	1310	70	13.0	10.7	
	No.3	MC412213	810	70	13.0	5.2	W/Clip
	No.4	MC412212	380	70	11.0	2.0	
MC408497	Assy		1300	70		26.3	
	No.1	MC418159	1300	70	10.0	8.7	W/Bush
	No.2	MC418168	1300	70	13.0	10.6	
	No.3	MC418161	800	70	13.0	5.1	W/Clip
	No.4	MC418162	370	70	11.0	1.9	
MC408742	Assy		1300	70		30.2	
	No.1	MC412209	1300	70	10.0	8.7	W/Bush
	No.2	MC412210	1310	70	13.0	10.7	
	No.3	MC412217	890	70	13.0	5.9	W/Clip
	No.4	MC412215	550	70	11.0	3.1	
	No.5	MC412216	330	70	11.0	1.8	
MC410064	Assy		1400	80		42.8	
	No.1	MC412265	1400	80	11.0	11.7	W/Bush
	No.2	MC412266	1405	80	11.0	10.9	
	No.3	MC412267	1120	80	13.0	8.7	
	No.4	MC412271	810	80	13.0	6.1	W/Clip
	No.5	MC412269	500	80	11.0	3.2	
	No.6	MC412270	320	80	11.0	2.2	
MC416481	Assy		1300	70		30.9	
	No.1	MC418154	1300	70	11.0	9.7	W/Bush
	No.2	MC418155	1310	70	13.0	10.7	
	No.3	MC418444	860	70	11.0	4.9	W/Clip
	No.4	MC418445	630	70	11.0	3.5	
	No.5	MC418157	390	70	11.0	2.1	

ASM Number	No. of Leaf	Leaf Number	Span	Width	Thickness	Weight	Add info
MC429656	Assy		1300	70		29.9	
	No.1	MC412209	1300	70	10.0	8.7	W/Bush
	No.2	MC412210	1310	70	13.0	10.7	
	No.3	MC412217	900	70	13.0	5.8	W/Clip
	No.4	MC412215	550	70	13.0	3.0	
	No.5	MC412216	330	70	11.0	1.7	
MC429657	Assy		1300	70		31.7	
	No.1	MC412209	1300	70	10.0	8.7	W/Bush
	No.2	MC412210	1310	70	13.0	10.7	
	No.3	MC418227	920	70	13.0	6.0	W/Clip
	No.4	MC418224	570	70	10.0	2.9	
	No.5	MC418225	420	70	10.0	2.1	
MC429845	Assy		1300	70		27.4	
	No.1	MC418154	1300	70	11.0	9.6	W/Bush
	No.2	MC090644	1310	70	13.0	10.7	
	No.3	MC090645	800	70	13.0	5.1	W/Clip
	No.4	MC090647	390	70	11.0	2.0	
	MC452187	Assy		1300	70		35.7
No.1		MC631834	1300	70	10.0	8.7	W/Bush
No.2		MC631835	1310	70	10.0	8.1	
No.3		MC631836	1060	70	11.0	6.4	
No.4		MC631837	840	70	11.0	5.1	W/Clip
No.5		MC631839	620	70	10.0	3.4	
No.6		MC631840	450	70	10.0	2.5	
MC470529	Assy		1200	70		32.8	
	No.1	MC424921	1200	70	9.0	7.3	W/Bush
	No.2	MC424922	1210	70	9.0	6.8	
	No.3	MC424928	1200	70	9.0	5.9	
	No.4	MC424924	940	70	10.0	4.9	W/Clip
	No.5	MC424925	710	70	10.0	3.7	
	No.6	MC424926	510	70	10.0	2.6	
No.7	MC424927	290	70	10.0	1.6		

ASM Number	No. of Leaf	Leaf Number	Span	Width	Thickness	Weight	Add info
MC556256	Assy		1620	90		104.5	
	No.1	MC557323	1620	90	14.0	17.6	W/Bush
	No.2	MC557324	1640	90	16.0	20.7	
	No.3	MC557325	1625	90	16.0	18.4	
	No.4	MC557327	1260	90	16.0	13.8	W/Clip
	No.5	MC557328	1050	90	16.0	11.4	
	No.6	MC557329	840	90	16.0	9.0	
	No.7	MC557331	620	90	14.0	5.8	W/Clip
	No.8	MC557332	480	90	14.0	4.5	
	No.9	MC557333	330	90	14.0	3.3	
MC558044	Assy		1620	90		130.3	
	No.1	MC557323	1620	90	14.0	17.6	W/Bush
	No.2	MC557324	1640	90	16.0	20.7	
	No.3	MC557325	1620	90	16.0	18.3	
	No.4	MC559886	1260	90	16.0	14.2	
	No.5	MC559887	1260	90	16.0	13.7	W/Bush
	No.6	MC559570	1050	90	16.0	11.9	
	No.7	MC557328	1050	90	16.0	11.3	
	No.8	MC557329	840	90	16.0	9.0	
	No.9	MC559571	630	90	14.0	5.9	W/Bush
	No.10	MC557332	480	90	14.0	4.4	
	No.11	MC557333	330	90	14.0	3.3	
MC564076	Assy		1400	90		71.6	
	No.1	MC553781	1400	90	12.0	14.5	W/Bush
	No.2	MC553780	1410	90	15.0	17.1	
	No.3	MC566072	1400	90	15.0	14.8	
	No.4	MC566073	1080	90	15.0	10.6	W/Clip
	No.5	MC566482	790	90	15.0	7.6	W/Clip
	No.6	MC553777	500	90	12.0	3.9	
	No.7	MC553776	360	90	12.0	3.1	
MC569892	Assy		1300	70		34.1	
	No.1	MC568886	1300	70	10.0	8.7	W/Bush
	No.2	MC568887	1310	70	12.0	9.8	
	No.3	MC568888	1040	70	12.0	6.4	W/Clip
	No.4	MC568890	780	70	12.0	4.8	
	HNo.1	MC568891	540	70	18.0	4.4	W/Clip

ASM Number	No. of Leaf	Leaf Number	Span	Width	Thickness	Weight	Add info
MC569893	Assy		1300	70		34.1	
	No.1	MC568886	1300	70	10.0	8.7	W/Bush
	No.2	MC568887	1310	70	12.0	9.8	
	No.3	MC568888	1040	70	12.0	6.4	W/Clip
	No.4	MC568890	780	70	12.0	4.8	
	HN0.1	MC568891	540	70	18.0	4.4	W/Clip
MC571276	Assy		1300	70		35.1	
	No.1	MC571646	1300	70	11.0	9.6	W/Bush
	No.2	MC571647	1310	70	13.0	10.7	
	No.3	MC571648	1000	70	13.0	6.7	W/Clip
	No.4	MC571650	700	70	10.0	3.7	
	HN0.1	MC571651	550	70	18.0	4.4	W/Clip
MC625258	Assy		1400	80		57.3	
	No.1	MC622514	1400	80	10.0	10.6	W/Bush
	No.2	MC611676	1410	80	10.0	10.0	
	No.3	MC626199	1220	80	10.0	7.7	W/Clip
	No.4	MC611678	1080	80	10.0	6.8	
	No.5	MC611679	940	80	10.0	5.9	
	No.6	MC611680	800	80	10.0	5.0	W/Clip
	No.7	MC611682	660	80	10.0	4.1	
	No.8	MC611683	520	80	10.0	3.3	
	No.9	MC611684	380	80	10.0	2.4	
	No.10	MC611685	240	80	10.0	1.5	
MC626887	Assy		1300	70		42.9	
MC626888	No.1	MC628156	1300	70	10.0	8.7	W/Bush
	No.2	MC628158	1310	70	10.0	8.1	
	No.3	MC628159	1300	70	10.0	7.1	
	No.4	MC628160	1090	70	10.0	6.0	
	No.5	MC628161	890	70	10.0	4.9	W/Clip
	No.6	MC628163	690	70	10.0	3.8	
	No.7	MC628164	490	70	10.0	2.7	
	No.8	MC628165	290	70	10.0	1.6	



ASM Number	No. of Leaf	Leaf Number	Span	Width	Thickness	Weight	Add info
MC626904	Assy		1400	80		57.3	
	No.1	MC628176	1400	80	10.0	10.6	W/Bush
	No.2	MC628178	1410	80	10.0	10.0	
	No.3	MC628179	1220	80	10.0	7.7	W/Clip
	No.4	MC628181	1080	80	10.0	6.8	
	No.5	MC628182	940	80	10.0	5.9	
	No.6	MC628183	800	80	10.0	5.0	W/Clip
	No.7	MC628185	660	80	10.0	4.1	
	No.8	MC628186	520	80	10.0	3.3	
	No.9	MC628187	380	80	10.0	2.4	
	No.10	MC628188	240	80	10.0	1.5	
MC629323	Assy		1400	70		65.8	
	No.1	MC929926	1400	70	10.0	9.2	W/Bush
	No.2	MC929927	1410	70	10.0	8.7	
	No.3	MC929928	1400	70	10.0	7.7	
	No.4	MC929929	1200	70	10.0	6.6	
	No.5	MC929929	1200	70	10.0	6.6	
	No.6	MC929930	1040	70	10.0	5.7	
	No.7	MC929931	1040	70	10.0	5.7	W/Clip
	No.8	MC929933	880	70	10.0	4.8	
	No.9	MC929934	720	70	10.0	4.0	
	No.10	MC929935	560	70	10.0	3.1	
	No.11	MC929936	410	70	10.0	2.3	
	No.12	MC929937	260	70	10.0	1.4	
MK248042	Assy		1450	90		47.4	
	No.1	MK249971	1400	90	20.0	16.8	W/Bush
	No.2	MK249972	1460	90	20.0	16.0	
	No.3	MK249986	1470	90	20.0	14.6	W/Clip
MK303903	Assy		1500	90		52.1	
	No.1	MK310995	1500	90	19.0	18.8	W/Bush
	No.2	MK310996	1520	90	19.0	17.5	
	No.3	MK310997	1540	90	19.0	15.8	W/Clip
MK303907	Assy		1500	90		52.1	
	No.1	MK311011	1500	90	21.0	18.9	W/Bush
	No.2	MK311012	1520	90	21.0	17.4	
	No.3	MK311013	1540	90	21.0	15.8	W/Clip



ASM Number	No. of Leaf	Leaf Number	Span	Width	Thickness	Weight	Add info
MK303908	Assy		1500	90		52.1	
	No.1	MK311015	1500	90	21.0	18.9	W/Bush
	No.2	MK311016	1520	90	21.0	17.4	
	No.3	MK311017	1540	90	21.0	15.8	W/Clip
MK304309	Assy			90		47.5	
	No.1	MK311019	1500	90	18.0	18.0	W/Bush
	No.2	MK311020	1520	90	18.0	18.0	
	No.3	MK311021	1540	90	18.0	18.0	W/Clip
MK304814	Assy		1300	60/70		25.4	
	No.1	MK305742	1300	60/70	11.0	8.7	W/Bush
	No.2	MK305743	1305	60	14.0	9.9	
	No.3	MK305744	850	60	14.0	5.0	W/Clip
	No.4	MK305746	370	60	12.0	1.8	
MK305150	Assy		1650	90		67.6	
	No.1	MK311049	1650	90	17.0	18.5	W/Bush
	No.2	MK311050	1670	90	17.0	17.5	
	No.3	MK311051	1690	90	17.0	15.8	
	No.4	MK311052	1690	90	17.0	15.8	W/Clip
MK305346	Assy		1500	90		64.8	
	No.1	MK311007	1500	90	20.0	18.8	W/Bush
	No.2	MK311008	1520	90	20.0	16.8	
	No.3	MK311010	1540	90	20.0	15.4	
	No.4	MK311075	1540	90	17.0	13.8	W/Clip
MK305348	Assy		1500	90		67.3	
	No.1	MK311015	1500	90	21.0	19.3	W/Bush
	No.2	MK311016	1520	90	21.0	18.0	
	No.3	MK311018	1540	90	21.0	16.2	
	No.4	MK311079	1540	90	17.0	13.8	W/Clip
MK310410	Assy		1300	70		40.3	
	No.1	MK314973	1300	70	11.0	9.6	W/Bush
	No.2	MK314974	1305	70	13.0	10.7	
	No.3	MK314981	1300	70	11.0	7.9	
	No.4	MK314982	940	70	13.0	6.3	W/Clip
	No.5	MK314977	630	70	13.0	4.1	
	No.6	MK314978	320	70	11.0	1.7	

ASM Number	No. of Leaf	Leaf Number	Span	Width	Thickness	Weight	Add info
MK314737	Assy		1500	90		85.9	
	No.1	MK314898	1500	90	13.0	16.7	W/Bush
	No.2	MK314899	1510	90	13.0	15.7	
	No.3	MK314900	1500	90	13.0	13.8	
	No.4	MK314901	1210	90	13.0	10.7	
	No.5	MK314902	1030	90	13.0	9.1	W/Clip
	No.6	MK314904	850	90	13.0	7.4	
	No.7	MK314905	670	90	13.0	5.7	
	No.8	MK314906	490	90	13.0	4.1	W/Clip
	No.9	MK314908	310	90	13.0	2.7	
MK316924	Assy		1500	90		46.8	
	No.1	MK318575	1500	90	19.0	17.6	W/Bush
	No.2	MK318576	1523	90	19.0	15.2	
	No.3	MK318577	1540	90	19.0	14.0	W/Clip
MK317446	Assy		1300	70		21.7	
	No.1	MK330480	1300	70	18.0	11.1	W/Bush
	No.2	MK330481	1300	70	20.0	10.6	W/Clip
MK317985	Assy		1400	80		49.7	
	No.1	MK330221	1400	80	19.0	13.4	W/Bush
	No.2	MK330197	1425	80	19.0	12.9	
	No.3	MK330198	1440	80	19.0	11.7	
	No.4	MK330199	1440	80	19.0	11.7	W/Clip
MK317986	Assy		1400	80		49.7	
	No.1	MK330221	1400	80	19.0	13.4	W/Bush
	No.2	MK330197	1425	80	19.0	12.9	
	No.3	MK330198	1440	80	19.0	11.7	
	No.4	MK330199	1440	80	19.0	11.7	W/Clip
MK319086	Assy		1500	90		53.7	
	No.1	MK319148	1500	90	23.0	19.0	W/Bush
	No.2	MK319149	1510	90	23.0	18.2	
	No.3	MK319150	1500	90	23.0	16.5	W/Clip
MK319087	Assy		1500	90		53.7	
	No.1	MK319152	1500	90	23.0	19.0	W/Bush
	No.2	MK319153	1510	90	23.0	18.2	
	No.3	MK319155	1500	90	23.0	16.5	W/Clip



ASM Number	No. of Leaf	Leaf Number	Span	Width	Thickness	Weight	Add info
MK319088	Assy		1500	90		68.0	
	No.1	MK319140	1500	90	22.0	18.6	W/Bush
	No.2	MK319141	1520	90	22.0	17.4	
	No.3	MK319143	1540	90	22.0	16.0	
	No.4	MK319156	1540	90	22.0	16.0	W/Clip
MK319089	Assy		1500	90		68.0	
	No.1	MK319144	1500	90	22.0	18.6	W/Bush
	No.2	MK319145	1520	90	22.0	17.4	
	No.3	MK319147	1540	90	22.0	16.0	
	No.4	MK319158	1540	90	22.0	16.0	W/Clip
MK319396	Assy		1500	90		53.8	
	No.1	MK329232	1510	90	23.0	18.7	W/Bush
	No.2	MK329233	1520	90	23.0	18.3	
	No.3	MK329234	1540	90	23.0	16.8	W/Clip
MK319479	Assy		1300	70		27.4	
	No.1	MK330233	1300	70	18.0	10.6	W/Bush
	No.2	MK330236	1310	70	20.0	9.9	
	No.3	MK330237	1320	70	14.0	6.9	W/Clip
MK329810	Assy		1400	80		38.0	
	No.1	MK330661	1400	80	19.0	13.4	W/Bush
	No.2	MK330663	1425	80	19.0	12.9	
	No.3	MK330664	1440	80	19.0	11.7	W/Clip
MK329892	Assy		1400	80		38.0	
	No.1	MK334306	1400	80	19.0	13.4	W/Bush
	No.2	MK334308	1425	80	19.0	12.9	
	No.3	MK334309	1440	80	19.0	11.7	W/Clip
MK330788	Assy		1500	90		47.5	
	No.1	MK311019	1500	90	18.0	17.7	W/Bush
	No.2	MK333063	1520	90	18.0	15.6	
	No.3	MK333064	1540	90	18.0	14.2	W/Clip
MK330790	Assy		1500	90		50.8	
	No.1	MK310995	1500	90	19.0	18.5	W/Bush
	No.2	MK333069	1520	90	19.0	17.0	
	No.3	MK333070	1540	90	19.0	15.3	W/Clip
MK330791	Assy		1500	90		50.8	
	No.1	MK310999	1500	90	19.0	18.5	W/Bush
	No.2	MK333072	1520	90	19.0	17.0	
	No.3	MK333073	1540	90	19.0	15.3	W/Clip



ASM Number	No. of Leaf	Leaf Number	Span	Width	Thickness	Weight	Add info
MK330794	Assy		1500	90		51.4	
	No.1	MK311003	1500	90	20.0	19.0	W/Bush
	No.2	MK333081	1520	90	20.0	16.9	
	No.3	MK333082	1540	90	20.0	15.5	W/Clip
MK330803	Assy		1500	90		53.4	
	No.1	MK312374	1500	90	21.0	19.3	W/Bush
	No.2	MK333108	1520	90	21.0	17.9	
	No.3	MK333109	1540	90	21.0	16.2	W/Clip
MK331402	Assy		1350	70		30.3	
	No.1	MK332245	1350	70	17.0	11.1	W/Bush
	No.2	MK331411	1360	70	17.0	10.1	
	No.3	MK331413	1370	70	17.0	9.1	W/Clip
MK332567	Assy		1500	90		54.3	
	No.1	MK332770	1500	90	23.0	19.3	W/Bush
	No.2	MK332771	1520	90	23.0	18.3	
	No.3	MK333060	1540	90	23.0	16.7	W/Clip
MK332569	Assy		1500	90		69.4	
	No.1	MK332770	1500	90	23.0	19.3	W/Bush
	No.2	MK332771	1520	90	23.0	18.3	
	No.3	MK332772	1540	90	23.0	17.4	
	No.4	MK330062	1540	90	19.0	14.3	W/Clip
MK332710	Assy		1300	70		36.7	
	No.1	MK330678	1300	70	16.0	10.2	W/Bush
	No.2	MK334288	1310	70	18.0	9.6	
	No.3	MK330682	1320	70	18.0	8.8	
	No.4	MK334292	1320	70	15.0	8.1	W/Clip
MK332993	Assy		1650	90		62.7	
	No.1	MK317381	1650	90	16.0	17.0	W/Bush
	No.2	MK333147	1670	90	16.0	16.3	
	No.3	MK333148	1690	90	16.0	14.7	
	No.4	MK333149	1690	90	16.0	14.7	W/Clip
MK336338	Assy		1650	75/90		56.6	
	No.1	MK336492	1650	75/90	26.0	21.9	W/Bush
	No.2	MK383592	1670	75	26.0	18.4	
	No.3	MK336494	1690	75	26.0	17.0	W/Clip

ASM Number	No. of Leaf	Leaf Number	Span	Width	Thickness	Weight	Add info
MK336374	Assy		1650	75/90		71.6	
	No.1	MK336492	1650	75/90	26.0	21.9	W/Bush
	No.2	MK383592	1670	75	26.0	18.4	
	No.3	MK336491	1690	75	26.0	17.0	
	No.4	MK382360	1690	75	18.0	14.3	W/Clip
MK432415	Assy		1500	90		133.4	
	No.1	MK432757	1500	90	19.0	18.4	W/Bush
	No.2	MK432759	1520	90	19.0	17.5	
	No.3	MK432760	1540	90	19.0	15.5	
	No.4	MK432761	1475	90	19.0	14.9	
	No.5	MK432762	1455	90	19.0	14.7	
	No.6	MK432763	1435	90	19.0	14.5	
	No.7	MK432764	1415	90	19.0	14.3	W/Clip
	No.8	MK432766	1320	90	34.0	23.6	
MK432588	Assy		1650	90		68.5	
	No.1	MK3155894	1650	90	18.0	18.5	W/Bush
	No.2	MK333155	1670	90	18.0	17.8	
	No.3	MK333156	1690	90	18.0	16.1	
	No.4	MK333157	1690	90	18.0	16.1	W/Clip
MK469550	Assy		1400	80		50.8	
	No.1	MK469735	1400	80	19.0	14.1	W/Bush
	No.2	MK469737	1435	80	19.0	12.9	
	No.3	MK469738	1460	80	19.0	11.9	
	No.4	MK469739	1460	80	19.0	11.9	W/Clip
MK469558	Assy		1400	80		49.4	
	No.1	MK469780	1400	80	19.0	14.1	W/Bush
	No.2	MK469782	1435	80	19.0	12.9	
	No.3	MK469783	1460	80	19.0	11.9	
	No.4	MK469784	1460	80	17.0	10.5	W/Clip
MK470994	Assy		1400			38.6	
	No.1	MK471148	1400	80	17.0	13.5	W/Bush
	No.2	MK471150	1440	80	19.0	12.9	
	No.3	MK471151	1460	80	19.0	12.2	W/Clip
MK472163	Assy		1400	80		42.0	
	No.1	MK472348	1400	80	18.0	13.9	W/Bush
	No.2	MK472350	1435	80	22.0	14.5	
	No.3	MK472352	1460	80	22.0	13.6	W/Clip



ASM Number	No. of Leaf	Leaf Number	Span	Width	Thickness	Weight	Add info
MK472164	Assy		1400	80		42.0	
	No.1	MK472348	1400	80	18.0	13.9	W/Bush
	No.2	MK472350	1435	80	22.0	14.5	
	No.3	MK472352	1460	80	22.0	13.6	W/Clip
MK472742	Assy		1650	75/90		57.2	
	No.1	MK472884	1650	75/90	26.0	21.8	W/Bush
	No.2	MK472885	1670	75	26.0	18.5	
	No.3	MK472886	1690	75	26.0	16.9	W/Clip
MK613893	Assy		1650	90		50.7	
	No.1	MK527810	1650	90	27.0	25.3	W/Bush
	No.2	MK527812	1660	90	27.0	25.4	W/Clip
MK613894	Assy		1650	90			
	No.1	MK527813	1650	90	27.0	25.3	W/Bush
	No.2	MK527814	1660	90	27.0	25.4	
	No.3	MK527816	1670	90	18.0	16.6	W/Clip
MK631591	Assy		1400	80			
	No.1	MK471148	1400	80	17.0	17.0	W/Bush
	No.2	MK471150	1440	80	19.0	19.0	
	No.3	MK631595	1460	80	19.0	19.0	W/Clip
MK631840	Assy		1300	70		28.8	
	No.1	MK631875	1300	70	16.0	10.2	W/Bush
	No.2	MK631877	1310	70	18.0	9.6	
	No.3	MK613878	1320	70	18.0	9.0	W/Clip
MK631841	Assy		1300	70		28.8	
	No.1	MK631875	1300	70	16.0	10.2	W/Bush
	No.2	MK631877	1310	70	18.0	9.6	
	No.3	MK613878	1320	70	18.0	9.0	W/Clip
MK631842	Assy		1300	70		37.0	
	No.1	MK631875	1300	70	16.0	10.2	W/Bush
	No.2	MK631877	1310	70	18.0	9.6	
	No.3	MK613880	1320	70	18.0	9.0	
	No.4	MK613881	1320	70	16.0	8.2	W/Clip
MK631843	Assy		1300	70		37.0	
	No.1	MK631875	1300	70	16.0	10.2	W/Bush
	No.2	MK631877	1310	70	18.0	9.6	
	No.3	MK613880	1320	70	18.0	9.0	
	No.4	MK613881	1320	70	16.0	8.2	W/Clip



ASM Number	No. of Leaf	Leaf Number	Span	Width	Thickness	Weight	Add info
MK633106	Assy		1500	90		54.9	
	No.1	MK459825	1500	90	23.0	19.5	W/Bush
	No.2	MK459826	1510	90	23.0	18.6	
	No.3	MK459827	1520	90	23.0	16.8	W/Clip
ML218890	Assy		1500	90		39.6	
	No.1	MK459783	1500	90	23.0	20.4	W/Bush
	No.2	MK459785	1520	90	23.0	19.2	W/Clip
ML282807	Assy		1650	90		51.4	
	No.1	ML282809	1650	90	28.0	25.8	W/Bush
	No.2	ML282811	1660	90	29.0	25.6	W/Clip



ASM Number	No. of Leaf	Leaf Number	Span	Width	Thickness	Weight	Add info
MC035553	Assy		1480	90		149.0	
	No.1	MC037250	1480	90	20.0	20.9	
	No.2	MC037251	1420	90	20.0	20.1	
	No.3	MC037252	1440	90	20.0	20.3	
	No.4	MC037253	1080	90	20.0	15.3	
	No.5	MC037261	1080	90	20.0	15.3	W/Clip
	No.6	MC037263	930	90	20.0	13.1	
	No.7	MC037263	930	90	20.0	13.1	
	No.8	MC037256	780	90	20.0	11.0	
	No.9	MC037257	630	90	20.0	8.9	
	No.10	MC037258	490	90	18.0	6.2	
	No.11	MC037259	380	90	18.0	4.8	
MC093583	Assy		1300	60/70		48.2	
	MNo.1	MC096633	1300	60/70	11.0	8.7	W/Bush
	MNo.2	MC096647	1310	60	14.0	9.8	
	MNo.3	MC096648	970	60	14.0	6.0	W/Clip
	MNo.4	MC096650	640	60	14.0	3.8	
	MNo.5	MC096651	310	60	11.0	1.5	
	HNo.1	MC096641	1050	60	11.0	5.4	
	HNo.2	MC096652	900	60	14.0	5.9	
	HNo.3	MC096653	640	60	14.0	3.9	W/Clip
	HNo.4	MC096655	400	60	11.0	1.9	
	HNo.5	MC096656	280	60	11.0	1.3	

ASM Number	No. of Leaf	Leaf Number	Span	Width	Thickness	Weight	Add info
MC423034	Assy		1300	70		78.5	
	MNo.1	MC423157	1300	70	9.0	7.8	W/Bush
	MNo.2	MC423158	1300	70	9.0	7.2	
	MNo.3	MC423159	1194	70	9.0	5.9	
	MNo.4	MC423160	1090	70	9.0	5.4	
	MNo.5	MC423161	986	70	9.0	4.9	
	MNo.6	MC423163	886	70	9.0	4.4	W/Clip
	MNo.7	MC423164	776	70	9.0	3.8	
	MNo.8	MC423165	672	70	9.0	3.3	
	MNo.9	MC423166	566	70	9.0	2.8	
	MNo.10	MC423167	460	70	9.0	2.3	
	MNo.11	MC423168	352	70	9.0	1.7	
	MNo.12	MC423169	244	70	9.0	1.2	
	HNo.1	MC423170	1040	70	9.0	5.1	
	HNo.2	MC423171	900	70	9.0	4.5	
	HNo.3	MC423172	808	70	9.0	4.0	
	HNo.4	MC423174	714	70	9.0	3.5	W/Clip
	HNo.5	MC423175	620	70	9.0	3.1	
	HNo.6	MC423176	526	70	9.0	2.6	
	HNo.7	MC423177	432	70	9.0	2.1	
	HNo.8	MC423178	338	70	9.0	1.7	
	HNo.9	MC423179	244	70	9.0	1.2	
MC423560	Assy		1300	70			
	MNo.1	MC423561	1300	70	10.0	8.7	W/Bush
	MNo.2	MC423562	1305	70	11.0	8.9	
	MNo.3	MC423563	1100	70	11.0	6.6	
	MNo.4	MC423565	930	70	11.0	5.6	W/Clip
	MNo.5	MC423566	760	70	11.0	4.6	
	MNo.6	MC423567	600	70	11.0	3.6	
	MNo.7	MC423568	440	70	11.0	2.7	
	MNo.8	MC423569	290	70	11.0	1.8	
	HNo.1	MC423570	1070	70	10.0	5.9	
	HNo.2	MC423571	900	70	10.0	4.9	
	HNo.3	MC423573	720	70	10.0	4.0	W/Clip
	HNo.4	MC423574	590	70	10.0	3.2	
	HNo.5	MC423575	470	70	10.0	2.6	
	HNo.6	MC423576	360	70	10.0	2.0	
	HNo.7	MC423577	250	70	10.0	1.4	

ASM Number	No. of Leaf	Leaf Number	Span	Width	Thickness	Weight	Add info
MC424790	Assy		1445	70		63.6	
	MNo.1	MC424791	1445	70	10.0	8.7	W/Bush
	MNo.2	MC424792	1445	70	11.0	9.8	
	MNo.3	MC424793	1100	70	11.0	6.6	
	MNo.4	MC424795	930	70	11.0	5.6	W/Clip
	MNo.5	MC424796	760	70	11.0	4.6	
	MNo.6	MC424797	600	70	11.0	3.6	
	MNo.7	MC424798	440	70	11.0	2.7	
	MNo.8	MC424799	290	70	11.0	1.8	
	HNo.1	MC424800	1070	70	10.0	5.0	
	HNo.2	MC424801	900	70	10.0	4.2	
	HNo.3	MC424803	720	70	10.0	3.4	W/Clip
	HNo.4	MC424804	590	70	10.0	2.8	
	HNo.5	MC424805	470	70	10.0	2.1	
	HNo.6	MC424806	360	70	10.0	1.6	
	HNo.7	MC424807	250	70	10.0	1.1	
MC424950	Assy		1445	70		66.9	
	MNo.1	MC424951	1445	70	10.0	8.7	W/Bush
	MNo.2	MC424952	1445	70	11.0	9.8	
	MNo.3	MC424953	1090	70	11.0	6.6	
	MNo.4	MC424955	920	70	11.0	5.6	W/Clip
	MNo.5	MC424956	750	70	11.0	4.5	
	MNo.6	MC424957	590	70	11.0	3.6	
	MNo.7	MC424958	430	70	11.0	2.6	
	MNo.8	MC424959	290	70	11.0	1.8	
	HNo.1	MC424960	1070	70	10.0	5.9	
	HNo.2	MC424961	900	70	10.0	4.9	
	HNo.3	MC424963	720	70	10.0	4.0	W/Clip
	HNo.4	MC424964	590	70	10.0	3.2	
	HNo.5	MC424965	460	70	10.0	2.5	
	HNo.6	MC424966	340	70	10.0	1.9	
	HNo.7	MC424967	240	70	10.0	1.3	



ASM Number	No. of Leaf	Leaf Number	Span	Width	Thickness	Weight	Add info
MK331204	Assy		1300	60/70		46.1	
	MNo.1	MC096657	1300	60/70	11.0	8.7	W/Bush
	MNo.2	MC096659	1310	60	14.0	9.8	
	MNo.3	MK332571	970	60	14.0	6.0	W/Clip
	MNo.4	MC096662	640	60	11.0	3.0	
	MNo.5	MC096663	400	60	11.0	1.8	
	HNo.1	MC096664	1050	60	12.0	5.9	
	HNo.2	MC096665	900	60	14.0	5.9	
	HNo.3	MK332573	600	60	14.0	3.6	W/Clip
	HNo.4	MC096668	340	60	10.0	1.4	
MK333850	Assy		1300	60/70		44.5	
	MNo.1	MK315005	1300	60/70	11.0	8.7	W/Bush
	MNo.2	MK315007	1310	60	14.0	9.9	
	MNo.3	MK332306	790	60	14.0	4.7	W/Clip
	MNo.4	MK315010	420	60	12.0	2.0	
	HNo.1	MK315011	1050	60	11.0	5.4	
	HNo.2	MK315012	900	60	14.0	5.9	
	HNo.3	MK335638	670	60	14.0	4.1	W/Clip
	HNo.4	MK315015	440	60	12.0	2.3	
	HNo.5	MK315016	300	60	12.0	1.5	
MK459886	Assy		1300	60		44.0	
	MNo.1	MK613937	1300	60	11.0	8.2	W/Bush
	MNo.2	MK459442	1310	60	14.0	9.9	
	MNo.3	MK459443	790	60	14.0	4.7	W/Clip
	MNo.4	MK459445	420	60	12.0	2.0	
	HNo.1	MK459446	1050	60	11.0	5.4	
	HNo.2	MK459447	900	60	14.0	5.9	
	HNo.3	MK459448	670	60	14.0	4.1	W/Clip
	HNo.4	MK459450	440	60	12.0	2.3	
	HNo.5	MK459451	300	60	12.0	1.5	
MK471766	Assy		1300	60/70		34.2	
	MNo.1	MK473094	1300	60/70	19.0	10.5	W/Bush
	MNo.2	MK473096	1320	60	21.0	10.1	W/Clip
	HNo.1	MK473098	1050	60	21.0	7.2	
	HNo.2	MK473099	900	60	21.0	6.4	W/Clip



ASM Number	No. of Leaf	Leaf Number	Span	Width	Thickness	Weight	Add info
MK472801	Assy		1300	60/70		40.1	
	MNo.1	MK473094	1300	60/70	19.0	10.5	W/Bush
	MNo.2	MK473096	1320	60	21.0	10.1	W/Clip
	HNo.1	MK473098	1050	60	21.0	7.2	
	HNo.2	MK631030	900	60	21.0	6.4	
	HNo.3	MK473101	900	60	19.0	5.9	W/Clip
MK613666	Assy		1300	60		56.3	
	MNo.1	MK613961	1300	60	11.0	8.2	W/Bush
	MNo.2	MK459461	1310	60	14.0	9.9	
	MNo.3	MK459462	1300	60	11.0	6.7	
	MNo.4	MK459463	790	60	14.0	4.7	W/Clip
	MNo.5	MK459465	420	60	12.0	2.0	
	HNo.1	MK459466	1050	60	11.0	5.4	
	HNo.2	MK459467	1050	60	11.0	5.4	
	HNo.3	MK459468	900	60	14.0	5.9	
	HNo.4	MK459469	670	60	14.0	4.1	W/Clip
	HNo.5	MK459471	440	60	12.0	2.4	
	HNo.6	MK459472	300	60	12.0	1.6	
MB003484	Assy		1169	70		15.2	
	No.1	MB003424	1169	70	6.0	4.6	W/Bush
	No.2	MB003425	1068	70	6.0	3.3	W/Clip
	No.3	MB003426	892	70	6.0	2.7	
	No.4	MB003427	716	70	6.0	2.2	
	No.5	MB003428	500	70	6.0	1.5	W/Clip
	No.6	MB003429	324	70	6.0	0.9	
MB339052	Assy			70		21.6	
	No.1	MB339052-01	1200	70	6.0	4.7	W/Bush
	No.2	MB339052-02	1210	70	6.0	4.1	
	No.3	MB339052-03	1080	70	7.0	4.0	W/Clip
	No.4	MB339052-04	905	70	7.0	3.3	
	No.5	MB339052-05	720	70	16.0	5.5	W/Clip

ASM Number	No. of Leaf	Leaf Number	Span	Width	Thickness	Weight	Add info
MC014134	Assy		1480	90		136.0	
	No.1	MC021078	1480	90	20.0	20.9	
	No.2	MC021079	1480	90	20.0	20.9	
	No.3	MC021080	1440	90	18.0	20.3	
	No.4	MC021081	1000	90	18.0	12.7	
	No.5	MC021081	1000	90	18.0	12.7	
	No.6	MC021082	860	90	18.0	10.9	
	No.7	MC021732	860	90	18.0	10.9	W/Clip
	No.8	MC021084	720	90	18.0	9.2	
	No.9	MC021085	590	90	18.0	7.5	
	No.10	MC021086	460	90	18.0	5.8	
	No.11	MC021087	330	90	18.0	4.2	
MC014139	Assy		1600	90		103.6	
	MNo.1	MC016537	1600	90	13.0	17.6	W/Bush
	MNo.2	MC016538	1610	90	13.0	16.6	
	MNo.3	MC016540	1330	90	16.0	14.4	W/Clip
	MNo.4	MC016541	1010	90	16.0	10.7	
	MNo.5	MC016543	700	90	16.0	7.2	W/Clip
	MNo.6	MC016544	390	90	13.0	3.2	
	HNo.1	MC016545	1190	90	20.0	11.3	
	HNo.2	MC016546	1190	90	20.0	11.3	
	HNo.3	MC019378	1190	90	20.0	11.3	W/Clip
MC015068	Assy		1380	90		87.9	
	No.1	MC019700	1380	90	16.0	15.6	
	No.2	MC019701	1380	90	20.0	19.5	
	No.3	MC019702	1380	90	20.0	19.5	
	No.4	MC019703	850	90	16.0	9.6	
	No.5	MC019705	720	90	16.0	8.1	W/Clip
	No.6	MC019706	590	90	16.0	6.7	
	No.7	MC019707	460	90	16.0	5.2	
	No.8	MC019708	330	90	16.0	3.7	

ASM Number	No. of Leaf	Leaf Number	Span	Width	Thickness	Weight	Add info
MC015069	Assy		1500	90		93.7	
	No.1	MC019380	1500	90	16.0	17.0	
	No.2	MC019381	1500	90	16.0	17.0	
	No.3	MC019382	1200	90	16.0	13.6	
	No.4	MC019384	1070	90	13.0	9.8	W/Clip
	No.5	MC019385	985	90	13.0	9.0	
	No.6	MC019386	915	90	13.0	8.4	
	No.7	MC019387	850	90	11.0	6.6	
	No.8	MC019388	810	90	11.0	6.3	
	No.9	MC019389	770	90	11.0	6.0	
MC015070	Assy		1500	90		99.1	
	No.1	MC019390	1500	90	18.0	19.1	
	No.2	MC019391	1500	90	18.0	19.1	
	No.3	MC019392	1195	90	18.0	15.2	
	No.4	MC019394	1065	90	14.0	10.5	W/Clip
	No.5	MC019395	985	90	14.0	9.7	
	No.6	MC019396	920	90	14.0	9.1	
	No.7	MC019397	855	90	14.0	8.5	
	No.8	MC019398	795	90	14.0	7.9	
MC016062	Assy		1600	90		163.0	
	MNo.1	MC623517	1600	90	13.0	17.6	W/Bush
	MNo.2	MC019680	1610	90	13.0	16.7	
	MNo.3	MC019681	1430	90	13.0	13.1	
	MNo.4	MC019681	1430	90	13.0	13.1	
	MNo.5	MC022007	1250	90	13.0	11.5	W/Clip
	MNo.6	MC019684	1070	90	13.0	9.8	
	MNo.7	MC019685	890	90	13.0	8.2	
	MNo.8	MC019686	710	90	13.0	6.5	
	MNo.9	MC022008	530	90	13.0	4.9	W/Clip
	MNo.10	MC019689	350	90	13.0	3.2	
	HNo.1	MC019690	1190	90	12.0	10.1	
	HNo.2	MC019690	1190	90	12.0	10.1	
	HNo.3	MC019691	1030	90	12.0	8.7	
	HNo.4	MC019692	880	90	12.0	7.5	
	HNo.5	MC022009	760	90	12.0	6.4	W/Clip
	HNo.6	MC019695	640	90	12.0	5.4	
	HNo.7	MC019696	520	90	12.0	4.4	
	HNo.8	MC019697	400	90	12.0	3.4	
	HNo.9	MC019698	280	90	12.0	2.4	

ASM Number	No. of Leaf	Leaf Number	Span	Width	Thickness	Weight	Add info
MC016484	Assy		1600	90		118.2	
	MNo.1	MC019000	1600	90	13.0	17.6	W/Bush
	MNo.2	MC019001	1610	90	13.0	16.7	
	MNo.3	MC019003	1400	90	16.0	14.9	W/Clip
	MNo.4	MC019004	1110	90	16.0	11.6	
	MNo.5	MC019006	810	90	16.0	8.3	W/Clip
	MNo.6	MC019007	510	90	13.0	4.3	
	MNo.7	MC019008	350	90	13.0	3.2	
	HNo.1	MC016993	1190	90	12.0	10.1	
	HNo.2	MC016994	1030	90	12.0	8.7	
	HNo.3	MC016995	890	90	14.0	8.4	
	HNo.4	MC016997	710	90	14.0	6.6	W/Clip
	HNo.5	MC016998	530	90	14.0	4.8	
	HNo.6	MC016999	350	90	12.0	3.0	
MC016488	Assy		1600	90		96.7	
	MNo.1	MC016583	1600	90	13.0	17.6	W/Bush
	MNo.2	MC016584	1605	90	13.0	16.6	
	MNo.3	MC019732	1310	90	16.0	13.8	W/Clip
	MNo.4	MC019733	940	90	16.0	9.7	
	MNo.5	MC019735	580	90	13.0	5.0	W/Clip
	MNo.6	MC016589	400	90	13.0	3.7	
	HNo.1	MC016590	1190	90	16.5	10.1	
	HNo.2	MC016591	1190	90	16.5	10.1	
	HNo.3	MC019737	1190	90	16.5	10.1	W/Clip
MC016489	Assy		1480	90			
	No.1	MC016450	1480	90	25.0	26.1	
	No.2	MC016451	1480	90	25.0	26.1	
	No.3	MC021441	1045	90	22.0	16.2	
	No.4	MC021442	875	90	22.0	13.6	
	No.5	MC021444	705	90	22.0	11.0	W/Clip
	No.6	MC021445	535	90	22.0	8.3	
	No.7	MC021446	370	90	22.0	5.8	



ASM Number	No. of Leaf	Leaf Number	Span	Width	Thickness	Weight	Add info
MC016555	Assy		1480	90		112.2	
	No.1	MC021078	1480	90	20.0	20.9	
	No.2	MC021079	1480	90	20.0	20.9	
	No.3	MC021080	1435	90	18.0	20.3	
	No.4	MC021081	995	90	18.0	12.7	
	No.5	MC021083	855	90	18.0	10.9	W/Clip
	No.6	MC021084	715	90	18.0	9.1	
	No.7	MC021085	585	90	18.0	7.4	
	No.8	MC021086	455	90	18.0	5.8	
	No.9	MC021087	330	90	18.0	4.2	
MC019146	Assy		1600	90			
	MNo.1	MC022018	1600	90	13.0	17.6	W/Bush
	MNo.2	MC022019	1605	90	13.0	16.6	
	MNo.3	MC022021	1350	90	13.0	12.0	W/Clip
	MNo.4	MC022022	1160	90	13.0	10.3	
	MNo.5	MC022023	970	90	13.0	8.5	
	MNo.6	MC022025	780	90	13.0	6.8	W/Clip
	MNo.7	MC022026	590	90	13.0	5.1	
	MNo.8	MC022027	400	90	13.0	3.7	
	HNo.1	MC022028	1190	90	10.0	8.4	
	HNo.2	MC022029	1026	90	10.0	7.2	
	HNo.3	MC022030	906	90	10.0	6.4	
	HNo.4	MC022031	826	90	10.0	5.8	
	HNo.5	MC022032	746	90	10.0	5.3	
	HNo.6	MC022033	666	90	10.0	4.7	
	HNo.7	MC022035	666	90	10.0	4.7	W/Clip
	HNo.8	MC022036	506	90	10.0	3.6	
	HNo.9	MC022037	426	90	10.0	3.0	
	HNo.10	MC022038	346	90	10.0	2.4	
	HNo.11	MC022039	266	90	10.0	1.9	

ASM Number	No. of Leaf	Leaf Number	Span	Width	Thickness	Weight	Add info
MC007079	Assy		1600	90			
	MNo.1	MC019679	1600	90	13.0	17.6	W/Bush
	MNo.2	MC019680	1605	90	13.0	16.6	
	MNo.3	MC019681	1425	90	13.0	13.1	
	MNo.4	MC019683	1245	90	13.0	11.4	W/Clip
	MNo.5	MC019684	1065	90	13.0	9.8	
	MNo.6	MC019685	885	90	13.0	8.1	
	MNo.7	MC019686	705	90	13.0	6.5	
	MNo.8	MC019688	525	90	13.0	4.8	W/Clip
	MNo.9	MC019689	350	90	13.0	3.2	
	HNo.1	MC019690	1230	90	12.0	10.4	
	HNo.2	MC019691	1025	90	12.0	8.7	
	HNo.3	MC019692	875	90	12.0	7.4	
	HNo.4	MC019694	755	90	12.0	6.4	W/Clip
	HNo.5	MC019695	635	90	12.0	5.4	
	HNo.6	MC019696	515	90	12.0	4.4	
	HNo.7	MC019697	395	90	12.0	3.3	
	HNo.8	MC019698	275	90	12.0	2.3	
MC025924	Assy		1500	90		93.1	
	No.1	MC025939	1500	90	13.0	13.8	
	No.2	MC019381	1500	90	16.0	17.0	
	No.3	MC019382	1200	90	16.0	13.6	
	No.4	MC025941	1095	90	16.0	12.4	W/Clip
	No.5	MC019385	985	90	13.0	9.0	
	No.6	MC019386	915	90	13.0	8.4	
	No.7	MC019387	850	90	11.0	6.6	
	No.8	MC019388	810	90	11.0	6.3	
	No.9	MC019389	770	90	11.0	6.0	
MC028136	Assy		1500	90		98.4	
	No.1	MC028137	1500	90	14.0	14.8	
	No.2	MC019391	1500	90	18.0	19.1	
	No.3	MC019392	1200	90	18.0	15.3	
	No.4	MC030578	1090	90	18.0	13.9	
	No.5	MC019395	985	90	14.0	9.7	
	No.6	MC030580	930	90	14.0	9.2	W/Clip
	No.7	MC019397	855	90	14.0	8.5	
	No.8	MC019398	795	90	14.0	7.9	



ASM Number	No. of Leaf	Leaf Number	Span	Width	Thickness	Weight	Add info
MC028147	Assy		1130	80		34.0	
MC028148	No.1	MC028217	1130	80	11.0	9.3	W/Bush
	No.2	MC028218	1130	80	11.0	9.4	
	No.3	MC013808	775	80	11.0	5.4	
	No.4	MC013810	630	80	11.0	4.4	W/Clip
	No.5	MC028219	495	80	11.0	3.2	
	No.6	MC028220	355	80	11.0	2.3	
MC031335	Assy		1480	90		115.8	
	No.1	MK031691	1480	90	20.0	20.9	
	No.2	MK031692	1480	90	20.0	20.9	
	No.3	MK031693	1440	90	20.0	20.3	
	No.4	MK031694	1080	90	20.0	15.3	
	No.5	MK031695	920	90	20.0	13.0	W/Clip
	No.6	MK031697	760	90	20.0	10.7	
	No.7	MK031698	600	90	20.0	8.5	
	No.8	MK031699	440	90	20.0	6.2	
MC031802	Assy		1580	90		119.3	
	No.1	MC031897	1580	90	25.0	27.9	
	No.2	MC031898	1580	90	25.0	27.9	
	No.3	MC031899	1180	90	22.0	18.3	
	No.4	MC031900	1000	90	22.0	15.5	
	No.5	MC031901	820	90	22.0	12.7	W/Clip
	No.6	MC031903	640	90	22.0	9.9	
	No.7	MC031904	460	90	22.0	7.1	
MC034503	Assy		1380	90		87.9	
	No.1	MC035123	1380	90	16.0	15.6	
	No.2	MC035124	1380	90	16.0	19.5	
	No.3	MC035125	1380	90	20.0	19.5	
	No.4	MC035126	850	90	20.0	9.6	
	No.5	MC035128	720	90	16.0	8.1	W/Clip
	No.6	MC035129	590	90	16.0	6.7	
	No.7	MC035130	460	90	16.0	5.2	
	No.8	MC035131	330	90	16.0	3.7	

ASM Number	No. of Leaf	Leaf Number	Span	Width	Thickness	Weight	Add info
MC034506	Assy		1500	90		96.4	
	No.1	MC035185	1500	90	13.0	13.8	
	No.2	MC035186	1500	90	13.0	13.8	
	No.3	MC035187	1395	90	16.0	15.8	
	No.4	MC035188	1200	90	16.0	13.6	
	No.5	MC035189	1065	90	16.0	12.0	
	No.6	MC035190	930	90	13.0	8.5	W/Clip
	No.7	MC035192	850	90	11.0	6.6	
	No.8	MC035193	810	90	11.0	6.3	
	No.9	MC035194	775	90	11.0	6.0	
MC035253	Assy		1600	90			
	MNo.1	MC035531	1600	90	14.0	19.1	W/Bush
	MNo.2	MC035532	1610	90	15.0	19.3	
	MNo.3	MC035534	1430	90	18.0	17.2	W/Clip
	MNo.4	MC035535	1130	90	18.0	13.4	
	MNo.5	MC035536	830	90	18.0	9.6	
	MNo.6	MC035538	530	90	15.0	5.2	W/Clip
	MNo.7	MC035539	350	90	15.0	3.7	
	HNo.1	MC035540	1190	90	15.0	8.8	
	HNo.2	MC035542	1190	90	15.0	8.8	W/Clip
MC035436	Assy		1480	90		120.6	
	No.1	MC037250	1480	90	20.0	20.9	
	No.2	MC037251	1420	90	20.0	20.1	
	No.3	MC037252	1440	90	20.0	20.3	
	No.4	MC037253	1080	90	20.0	15.3	
	No.5	MC037254	930	90	20.0	13.1	W/Clip
	No.6	MC037256	780	90	20.0	11.0	
	No.7	MC037257	630	90	20.0	8.9	
	No.8	MC037258	490	90	18.0	6.2	
	No.9	MC037259	380	90	18.0	4.8	
MC041251	Assy		1500	90		96.4	
	No.1	MC042330	1500	90	13.0	13.8	
	No.2	MC042331	1500	90	13.0	13.8	
	No.3	MC042332	1395	90	16.0	15.8	
	No.4	MC042333	1200	90	16.0	13.6	
	No.5	MC042334	1060	90	16.0	12.0	
	No.6	MC042335	930	90	13.0	8.5	W/Clip
	No.7	MC042337	850	90	11.0	6.6	
	No.8	MC042338	810	90	11.0	6.3	
	No.9	MC042339	775	90	11.0	6.0	

ASM Number	No. of Leaf	Leaf Number	Span	Width	Thickness	Weight	Add info
MC041256	Assy		1130	80		43.4	
MC041257	No.1	MC042364	1130	80	11.0	9.3	W/Bush
	No.2	MC042365	1130	80	11.0	9.4	
	No.3	MC042366	860	80	14.0	7.3	
	No.4	MC042367	710	80	14.0	5.9	W/Clip
	No.5	MC042369	560	80	14.0	4.6	
	No.6	MC042370	410	80	11.0	2.8	
	No.7	MC042371	330	80	11.0	2.3	
	No.8	MC042372	260	80	11.0	1.8	
MC042786	Assy		1600	90		103.2	
	MNo.1	MC042818	1600	90	13.0	17.6	W/Bush
	MNo.2	MC042819	1620	90	16.0	20.6	
	MNo.3	MC042821	1340	90	16.0	14.4	W/Clip
	MNo.4	MC042822	1020	90	16.0	10.8	
	MNo.5	MC042824	700	90	16.0	7.1	W/Clip
	MNo.6	MC042825	380	90	13.0	3.1	
	HNo.1	MC035493		90		9.7	
	HNo.2	MC035494		90		9.7	
	HNo.3	MC035496		90		10.2	W/Clip
MC042788	Assy		1600	90		95.8	
	MNo.1	MC042471	1600	90	14.0	19.1	W/Bush
	MNo.2	MC042472	1610	90	14.0	18.0	
	MNo.3	MC042473	1260	90	16.0	13.0	W/Clip
	MNo.4	MC042475	870	90	16.0	8.6	W/Clip
	MNo.5	MC042477	480	90	14.0	4.1	
	HNo.1	MC042299	1190	90	18.0	11.0	
	HNo.2	MC042400	1190	90	18.0	11.0	
	HNo.3	MC042402	1190	90	18.0	11.0	W/Clip
MC046336	Assy		1500	90		101.2	
	No.1	MC090550	1500	90	14.0	14.8	
	No.2	MC090551	1500	90	14.0	14.8	
	No.3	MC090552	1400	90	14.0	13.8	
	No.4	MC090553	1180	90	14.0	11.7	
	No.5	MC090554	1100	90	14.0	10.9	
	No.6	MC090555	1020	90	14.0	10.1	
	No.7	MC090556	940	90	14.0	9.3	W/Clip
	No.8	MC090558	860	90	14.0	8.5	
	No.9	MC090559	790	90	13.0	7.3	

ASM Number	No. of Leaf	Leaf Number	Span	Width	Thickness	Weight	Add info
MC046339	Assy		1130	80		43.4	
MC046340	No.1	MC028213	1130	80	11.0	9.3	W/Bush
	No.2	MC028214	860	80	11.0	9.4	
	No.3	MC013795	760	80	14.0	7.3	
	No.4	MC013797	710	80	14.0	5.9	W/Clip
	No.5	MC013798	560	80	14.0	4.6	
	No.6	MC028215	410	80	11.0	2.8	
	No.7	MC013800	330	80	11.0	2.3	
	No.8	MC013801	260	80	11.0	1.8	
MC047160	Assy		1600	90		81.7	
	MNo.1	MC047764	1600	90	24.0	22.3	W/Bush
	MNo.2	MC047765	1610	90	24.0	21.3	
	MNo.3	MC047769	1620	90	24.0	19.5	W/Clip
	HNo.1	MC047767	1190	90	15.0	9.3	
	HNo.2	MC047770	1190	90	15.0	9.3	W/Clip
MC090246	Assy		1400	80		89.7	
	MNo.1	MC411027	1400	80	11.0	11.7	W/Bush
	MNo.2	MC411028	1410	80	11.0	11.0	
	MNo.3	MC091388	1400	80	13.0	11.4	
	MNo.4	MC411029	1210	80	14.0	10.1	
	MNo.5	MC091339	920	80	14.0	7.5	W/Clip
	MNo.6	MC411031	630	80	14.0	5.0	
	MNo.7	MC411032	340	80	11.0	2.1	
	HNo.1	MC411033	1130	80	11.0	7.8	
	HNo.2	MC411034	960	80	13.0	7.8	
	HNo.3	MC411058	770	80	13.0	6.0	W/Clip
	HNo.4	MC411036	590	80	13.0	4.5	
	HNo.5	MC411037	410	80	11.0	2.7	
	HNo.6	MC411038	300	80	11.0	2.1	
MC090316	Assy		1300	70		53.2	
	MNo.1	MC091110	1300	70	11.0	9.6	W/Bush
	MNo.2	MC091111	1310	70	13.0	10.6	
	MNo.3	MC091115	980	70	13.0	6.5	W/Clip
	MNo.4	MC091113	660	70	13.0	4.3	
	MNo.5	MC091114	340	70	11.0	1.8	
	HNo.1	MC091116	1050	70	10.0	5.8	
	HNo.2	MC091117	900	70	13.0	6.4	
	HNo.3	MC091121	640	70	13.0	4.2	W/Clip
	HNo.4	MC091119	420	70	11.0	2.4	
	HNo.5	MC091120	290	70	11.0	1.6	



ASM Number	No. of Leaf	Leaf Number	Span	Width	Thickness	Weight	Add info
MC090317	Assy		1300	70		59.0	
	MNo.1	MC091110	1300	70	11.0	9.6	W/Bush
	MNo.2	MC091111	1310	70	13.0	10.6	
	MNo.3	MC091115	980	70	13.0	6.5	W/Clip
	MNo.4	MC091113	660	70	13.0	4.3	
	MNo.5	MC091114	340	70	11.0	1.8	
	HNo.1	MC091116	1050	70	10.0	5.8	
	HNo.2	MC091116	1050	70	10.0	5.8	
	HNo.3	MC091117	900	70	13.0	6.4	
	HNo.4	MC091122	640	70	13.0	4.2	W/Clip
	HNo.5	MC091119	420	70	11.0	2.4	
	HNo.6	MC091120	290	70	11.0	1.6	
MC090318	Assy		1300	70			
	MNo.1	MC091123	1300	70	11.0	9.6	W/Bush
	MNo.2	MC091124	1310	70	14.0	11.5	
	MNo.3	MC091127	860	70	14.0	6.0	W/Clip
	MNo.4	MC091126	430	70	11.0	2.2	
	HNo.1	MC091128	1050	70	11.0	6.3	
	HNo.2	MC091129	900	70	14.0	6.9	
	HNo.3	MC091132	620	70	14.0	4.3	W/Clip
	HNo.4	MC091131	330	70	11.0	1.8	
MC090489	Assy		1130	80		58.2	
	No.1	MC090757	1130	80	12.0	10.0	W/Bush
	No.2	MC090758	1130	80	12.0	8.6	
	No.3	MC090759	860	80	12.0	6.5	
	No.4	MC090760	775	80	12.0	5.8	
	No.5	MC090761	690	80	12.0	5.2	
	No.6	MC090762	690	80	12.0	5.2	W/Clip
	No.7	MC090764	525	80	12.0	4.0	
	No.8	MC090765	450	80	12.0	3.4	
	No.9	---	375	80	12.0	2.8	
	No.10	---	310	80	12.0	2.3	
	No.11	---	250	80	12.0	1.9	
	No.12	MC090770	410	80	12.0	2.3	W/Clip

ASM Number	No. of Leaf	Leaf Number	Span	Width	Thickness	Weight	Add info
MC090518	Assy		1500	90		101.2	
	No.1	MC090785	1500	90	14.0	14.8	
	No.2	MC090786	1500	90	14.0	14.8	
	No.3	MC090787	1400	90	14.0	13.8	
	No.4	MC090788	1180	90	14.0	11.7	
	No.5	MC090789	1100	90	14.0	10.9	
	No.6	MC090790	1020	90	14.0	10.1	
	No.7	MC090791	940	90	14.0	9.3	W/Clip
	No.8	MC090793	860	90	14.0	8.5	
	No.9	MC090794	790	90	13.0	7.3	
MC090887	Assy		1300	70			
	MNo.1	MC091156	1300	70	11.0	9.6	W/B
	MNo.2	MC091157	1310	70	11.0	9.0	
	MNo.3	MC091158	1030	70	13.0	6.9	
	MNo.4	MC091162	750	70	13.0	4.9	W/Clip
	MNo.5	MC091160	470	70	11.0	2.6	
	MNo.6	MC091161	320	70	11.0	1.7	
	HNo.1	MC091163	1050	70	11.0	6.5	
	HNo.2	MC091164	900	70	11.0	5.4	
	HNo.3	MC091165	760	70	13.0	5.2	
	HNo.4	MC091169	590	70	13.0	4.0	W/Clip
	HNo.5	MC091167	420	70	11.0	2.4	
	HNo.6	MC091168	290	70	11.0	1.6	
MC091452	Assy		1300	70			
	MNo.1	MC092083	1300	70	11.0	9.6	W/Bush
	MNo.2	MC092085	1310	70	11.0	9.0	
	MNo.3	MC092102	1190	70	11.0	7.2	W/Clip
	MNo.4	MC092141	1090	70	11.0	6.6	
	MNo.5	MC092088	930	70	11.0	5.6	
	MNo.6	MC092104	770	70	11.0	4.7	W/Clip
	MNo.7	MC092091	610	70	11.0	3.7	
	MNo.8	MC092092	450	70	11.0	2.7	
	MNo.9	MC092093	300	70	11.0	1.8	
	HNo.1	MC092094	1050	70	10.0	5.8	
	HNo.2	MC092095	900	70	10.0	4.9	
	HNo.3	MC092096	750	70	10.0	4.1	
	HNo.4	MC092097	630	70	10.0	3.5	W/Clip
	HNo.5	MC092099	510	70	10.0	2.8	
	HNo.6	MC092100	390	70	10.0	2.1	
	HNo.7	MC092101	270	70	10.0	1.5	

ASM Number	No. of Leaf	Leaf Number	Span	Width	Thickness	Weight	Add info
MC092602	Assy		1464	90		124.8	
	No.1	MC095024	1464	90	19.0	19.7	
	No.2	MC095025	1440	90	19.0	19.3	
	No.3	MC095026	1460	90	21.0	21.7	
	No.4	MC095027	1120	90	21.0	16.6	
	No.5	MC095028	960	90	21.0	14.2	W/Clip
	No.6	MC095030	800	90	21.0	11.9	
	No.7	MC095031	650	90	21.0	9.6	
	No.8	MC095032	500	90	19.0	6.7	
	No.9	MC095033	380	90	19.0	5.1	
MC092603	Assy		1464	90		139.8	
	No.1	MC095024	1464	90	19.0	19.7	
	No.2	MC095025	1440	90	19.0	19.3	
	No.3	MC095026	1460	90	21.0	21.7	
	No.4	MC095034	1120	90	19.0	15.0	
	No.5	MC095027	1120	90	21.0	16.6	
	No.6	MC095035	960	90	21.0	14.2	W/Clip
	No.7	MC095030	800	90	21.0	11.9	
	No.8	MC095031	650	90	21.0	9.6	
	No.9	MC095032	500	90	19.0	6.7	
No.10	MC095033	380	90	19.0	5.1		
MC092604	Assy		1464	90		139.8	
	No.1	MC095024	1464	90	19.0	19.7	
	No.2	MC095025	1440	90	19.0	19.3	
	No.3	MC095026	1460	90	21.0	21.7	
	No.4	MC095034	1120	90	19.0	15.0	
	No.5	MC095027	1120	90	21.0	16.6	
	No.6	MC095029	960	90	21.0	14.2	
	No.7	MC095036	960	90	21.0	14.2	W/Clip
	No.8	MC095030	800	90	21.0	11.9	
	No.9	MC095031	650	90	21.0	9.6	
	No.10	MC095032	500	90	19.0	6.7	
No.11	MC095033	380	90	19.0	5.1		

ASM Number	No. of Leaf	Leaf Number	Span	Width	Thickness	Weight	Add info
MC092605	Assy		1500	90		147.6	
	No.1	MC095037	1500	90	22.0	23.3	
	No.2	MC095038	1440	90	22.0	22.4	
	No.3	MC095039	1460	90	22.0	22.7	
	No.4	MC095040	1120	90	22.0	17.4	
	No.5	MC095041	990	90	22.0	15.4	W/Clip
	No.6	MC095043	860	90	22.0	13.4	
	No.7	MC095044	730	90	22.0	11.3	
	No.8	MC095045	610	90	22.0	9.5	
	No.9	MC095046	480	90	20.0	6.8	
	No.10	MC095047	380	90	20.0	5.4	
MC092610	Assy		1380	90		98.6	
	No.1	MC093316	1380	90	16.0	15.6	
	No.2	MC093317	1380	90	16.0	15.6	
	No.3	MC093318	1380	90	16.0	15.6	
	No.4	MC093319	990	90	16.0	11.2	
	No.5	MC093548	880	90	16.0	9.9	W/Clip
	No.6	MC093321	770	90	16.0	8.7	
	No.7	MC093322	660	90	16.0	7.5	
	No.8	MC093323	550	90	16.0	6.2	
	No.9	MC093324	440	90	16.0	5.0	
	No.10	MC093325	330	90	14.0	3.3	
MC092614	Assy		1380	90		124.1	
	No.1	MC093337	1380	90	16.0	15.6	
	No.2	MC093338	1380	90	16.0	15.6	
	No.3	MC093339	1380	90	16.0	15.6	
	No.4	MC093340	1020	90	16.0	11.5	
	No.5	MC093341	940	90	16.0	10.6	
	No.6	MC093367	860	90	16.0	9.7	
	No.7	MC093552	860	90	16.0	9.7	
	No.8	MC093343	760	90	16.0	8.6	W/Clip
	No.9	MC093344	660	90	16.0	7.5	
	No.10	MC093345	560	90	16.0	6.3	
	No.11	MC093346	460	90	16.0	5.2	
	No.12	MC093347	360	90	16.0	4.1	
	No.13	MC093348	360	90	16.0	4.1	



ASM Number	No. of Leaf	Leaf Number	Span	Width	Thickness	Weight	Add info
MC092684	Assy		1500	90		112.9	
	No.1	MC094184	1500	90	14.0	14.8	
	No.2	MC094185	1500	90	14.0	14.8	
	No.3	MC094186	1400	90	14.0	13.8	
	No.4	MC094187	1180	90	14.0	11.7	
	No.5	MC094188	1180	90	14.0	11.7	
	No.6	MC094189	1100	90	14.0	10.9	
	No.7	MC094190	1020	90	14.0	10.1	
	No.8	MC094191	940	90	14.0	9.3	W/Clip
	No.9	MC094193	860	90	14.0	8.5	
	No.10	MC094194	790	90	13.0	7.3	
MC092685	Assy		1380	90		88.5	
	No.1	MC094175	1380	90	16.0	15.6	
	No.2	MC094176	1320	90	16.0	14.9	
	No.3	MC094177	1380	90	16.0	15.6	
	No.4	MC094178	980	90	20.0	13.8	
	No.5	MC094180	820	90	20.0	11.6	W/Clip
	No.6	MC094181	640	90	16.0	7.2	
	No.7	MC094182	500	90	16.0	5.7	
	No.8	MC094183	360	90	16.0	4.1	
MC092702	Assy		1520	90		152.1	
	No.1	MC095489	1520	90	16.0	17.2	
	No.2	MC095490	1520	90	16.0	17.2	
	No.3	MC095491	1420	90	16.0	16.1	
	No.4	MC095492	1190	90	16.0	13.5	
	No.5	MC095492	1190	90	16.0	13.5	
	No.6	MC095493	1130	90	16.0	12.8	
	No.7	MC095494	1070	90	16.0	12.1	
	No.8	MC095495	1010	90	16.0	11.4	
	No.9	MC095496	950	90	16.0	10.7	
	No.10	MC095501	950	90	16.0	10.7	W/Clip
	No.11	MC095499	825	90	16.0	9.3	
	No.12	MC095500	765	90	16.0	7.6	



ASM Number	No. of Leaf	Leaf Number	Span	Width	Thickness	Weight	Add info
MC189742	Assy		1350	70		25.7	
	No.1	MC189743	1350	70	15.0	9.5	W/Bush
	No.2	MC189744	1360	70	15.0	8.4	
	No.3	MC189746	1290	70	15.0	7.8	W/Clip
MC028142	Assy		1700	100		103.4	
	No.1	MC286465	1700	100	13.0	20.6	W/Bush
	No.2	MC286466	1705	100	13.0	19.5	
	No.3	MC286467	1480	100	14.0	15.8	
	No.4	MC286469	1280	100	14.0	13.6	W/Clip
	No.5	MC287152	1100	100	14.0	11.6	
	No.6	MC287153	910	100	14.0	9.6	
	No.7	MC28713	720	100	25.0	12.7	W/Clip
MC288968	Assy		1700	100		102.8	
MC288969	No.1	MC288740	1700	100	13.0	20.6	W/Bush
	No.2	MC288741	1710	100	13.0	19.6	
	No.3	MC288742	1480	100	14.0	15.8	
	No.4	MC289069	1290	100	14.0	13.7	W/Clip
	No.5	MC288745	110	100	14.0	11.6	
	No.6	MC288746	910	100	14.0	9.5	
	No.7	MC288747	720	100	25.0	12.0	W/Clip
MC288970	Assy		1700	100		120.4	
MC288971	No.1	MC288740	1700	100	13.0	20.6	W/Bush
	No.2	MC288741	1710	100	13.0	19.6	
	No.3	MC288749	1720	100	13.0	17.6	
	No.4	MC288742	1480	100	14.0	15.8	
	No.5	MC289070	1290	100	14.0	13.7	W/Clip
	No.6	MC288745	1100	100	14.0	11.6	
	No.7	MC288746	910	100	14.0	9.5	
	No.8	MC288751	720	100	25.0	12.0	W/Clip
MC288988	Assy		1700	100		113.1	
MC288989	No.1	MC289202	1700	100	13.0	20.6	W/Bush
	No.2	MC289203	1710	100	14.0	21.1	
	No.3	MC289204	1510	100	14.0	16.2	
	No.4	MC289205	1330	100	14.0	14.2	
	No.5	MC289216	1150	100	14.0	12.2	W/Clip
	No.6	MC289207	970	100	13.0	9.6	
	No.7	MC289208	820	100	12.0	7.5	
	No.8	MC289217	690	100	25.0	11.7	W/Clip



ASM Number	No. of Leaf	Leaf Number	Span	Width	Thickness	Weight	Add info
MC289086	Assy		1700	100		113.1	
MC289087	No.1	MC289179	1700	100	13.0	20.6	W/Bush
	No.2	MC289180	1710	100	14.0	21.1	
	No.3	MC289181	1510	100	14.0	16.2	
	No.4	MC289182	1330	100	14.0	14.2	
	No.5	MC289187	1150	100	14.0	12.2	W/Clip
	No.6	MC289184	970	100	13.0	9.6	
	No.7	MC289185	820	100	12.0	7.5	
	No.8	MC289188	690	100	25.0	11.7	W/Clip
MC289088	Assy		1700	100		113.1	
MC289089	No.1	MC289194	1700	100	13.0	20.6	W/Bush
	No.2	MC289195	1710	100	14.0	21.1	
	No.3	MC289196	1510	100	14.0	16.2	
	No.4	MC289197	1330	100	14.0	14.2	
	No.5	MC289198	1150	100	14.0	12.2	W/Clip
	No.6	MC289199	970	100	13.0	9.6	
	No.7	MC289200	820	100	12.0	7.5	
	No.8	MC289219	690	100	25.0	11.7	W/Clip
MC304616	Assy		1250	70		25.4	
	No.1	MC317981	1250	70	9.0	7.8	W/Bush
	No.2	MC317982	1250	70	9.0	6.5	
	No.3	MC317983	1000	70	10.0	5.2	W/Clip
	No.4	MC317984	720	70	10.0	3.7	
	No.5	MC317985	440	70	10.0	2.2	
MC304617	Assy		1250	70		25.4	
	No.1	MC317986	1250	70	9.0	7.8	W/Bush
	No.2	MC317987	1250	70	9.0	6.5	
	No.3	MC317988	1000	70	10.0	5.2	W/Clip
	No.4	MC317989	720	70	10.0	3.7	
	No.5	MC317990	440	70	10.0	2.2	
MC304618	Assy		1250	70		27.9	
	No.1	MC317991	1250	70	10.0	8.7	W/Bush
	No.2	MC317992	1250	70	10.0	7.2	
	No.3	MC317993	970	70	11.0	5.6	W/Clip
	No.4	MC317994	700	70	11.0	4.0	
	No.5	MC317995	430	70	11.0	2.4	

ASM Number	No. of Leaf	Leaf Number	Span	Width	Thickness	Weight	Add info
MC304751	Assy		1250	70		33.9	
	No.1	MC304751-01	1250	70	8.0	6.9	W/Bush
	No.2	MC304751-02	1250	70	8.0	5.8	
	No.3	MC304751-03	1110	70	8.0	4.9	W/Clip
	No.4	MC304751-04	970	70	8.0	4.3	
	No.5	MC304751-05	830	70	8.0	3.6	
	No.6	MC304751-06	690	70	8.0	3.0	
	No.7	MC304751-07	550	70	8.0	2.4	W/Clip
	No.8	MC304751-08	410	70	8.0	1.8	
No.9	MC304751-09	270	70	8.0	1.2		
MC364433	Assy		1550	70		61.1	
	No.1	MC364458	1550	70	11.0	11.1	W/Bush
	No.2	MC364459	1560	70	11.0	10.5	
	No.3	MC364460	1400	70	14.0	10.4	
	No.4	MC364461	1200	70	14.0	8.9	W/Clip
	No.5	MC364463	1000	70	14.0	7.4	
	No.6	MC364464	800	70	14.0	5.8	
No.7	MC364465	600	70	23.0	7.0	W/Clip	
MC364434	Assy		1550	70		57.6	
	No.1	MC364467	1550	70	14.0	14.2	W/Bush
	No.2	MC364468	1560	70	14.0	13.6	
	No.3	MC364470	1260	70	14.0	9.3	
	No.4	MC364699	1040	70	14.0	7.6	W/Clip
	No.5	MC364472	820	70	14.0	5.9	
No.6	MC364473	600	70	23.0	7.0	W/Clip	
MC364441	Assy		1550	70		52.9	
	No.1	MC364475	1550	70	11.0	11.1	W/Bush
	No.2	MC364476	1560	70	11.0	10.5	
	No.3	MC364477	1380	70	14.0	10.1	
	No.4	MC364478	1120	70	14.0	8.1	W/Clip
	No.5	MC364480	860	70	14.0	6.1	
No.6	MC364481	600	70	23.0	7.0	W/Clip	

ASM Number	No. of Leaf	Leaf Number	Span	Width	Thickness	Weight	Add info
MC401355	Assy		1440	70		59.0	
	MNo.1	MC410356	1440	70	11.0	9.6	W/Bush
	MNo.2	MC410357	1455	70	11.0	9.9	
	MNo.3	MC410358	1065	70	12.0	7.0	
	MNo.4	MC410362	825	70	12.0	5.4	W/Clip
	MNo.5	MC410360	585	70	12.0	3.9	
	MNo.6	MC410361	330	70	11.0	2.0	
	HNo.1	MC401363	1070	70	11.0	6.5	
	HNo.2	MC401364	895	70	11.0	5.4	
	HNo.3	MC401368	685	70	12.0	4.5	W/Clip
	HNo.4	MC401366	490	70	12.0	3.2	
	HNo.5	MC401367	265	70	11.0	1.6	
MC410033	Assy		1400	80		78.1	
	MNo.1	MC411027	1400	80	11.0	11.7	W/Bush
	MNo.2	MC411028	1405	80	11.0	10.9	
	MNo.3	MC411029	1200	80	14.0	10.0	
	MNo.4	MC411057	920	80	14.0	7.6	W/Clip
	MNo.5	MC411031	630	80	14.0	5.0	
	MNo.6	MC411032	340	80	11.0	2.0	
	HNo.1	MC411033	1130	80	11.0	7.8	
	HNo.2	MC411034	960	80	13.0	7.8	
	HNo.3	MC411058	770	80	13.0	6.0	W/Clip
	HNo.4	MC411036	590	80	13.0	4.5	
	HNo.5	MC411037	410	80	11.0	2.7	
	HNo.6	MC411038	300	80	11.0	2.1	
MC410283	Assy		1300	70		51.8	
	MNo.1	MC411011	1300	70	10.0	8.7	W/Bush
	MNo.2	MC411012	1305	70	10.0	8.1	
	MNo.3	MC411013	1090	70	13.0	7.3	
	MNo.4	MC411025	760	70	13.0	5.0	W/Clip
	MNo.5	MC411015	430	70	10.0	2.2	
	MNo.6	MC411016	290	70	10.0	1.6	
	HNo.1	MC411017	1050	70	9.0	5.2	
	HNo.2	MC411018	900	70	9.0	4.5	
	HNo.3	MC411019	780	70	12.0	4.8	
	HNo.4	MC411026	520	70	12.0	3.1	W/Clip
	HNo.5	MC411021	260	70	9.0	1.3	

ASM Number	No. of Leaf	Leaf Number	Span	Width	Thickness	Weight	Add info
MC410284	Assy		1300	70		52.3	
	MNo.1	MC411011	1300	70	10.0	8.7	W/Bush
	MNo.2	MC411012	1305	70	10.0	8.1	
	MNo.3	MC411013	1090	70	13.0	7.3	
	MNo.4	MC411025	760	70	13.0	5.0	W/Clip
	MNo.5	MC411015	430	70	10.0	2.2	
	MNo.6	MC411016	290	70	10.0	1.6	
	HNo.1	MC412179	1050	70	10.0	5.8	
	HNo.2	MC412180	890	70	12.0	5.9	
	HNo.3	MC412184	650	70	12.0	4.0	W/Clip
	HNo.4	MC412182	440	70	10.0	2.2	
	HNo.5	MC412183	280	70	10.0	1.5	
MC410285	Assy		1300	70		65.4	
	MNo.1	MC411011	1300	70	10.0	8.7	W/Bush
	MNo.2	MC411012	1305	70	10.0	8.1	
	MNo.3	MC411085	1300	70	10.0	7.1	
	MNo.4	MC411014	1090	70	13.0	7.3	
	MNo.5	MC412736	760	70	13.0	5.0	W/Clip
	MNo.6	MC411015	430	70	10.0	2.2	
	MNo.7	MC411016	290	70	10.0	1.6	
	HNo.1	MC412279	1050	70	10.0	5.8	
	HNo.2	MC412279	1050	70	10.0	5.8	
	HNo.3	MC412280	900	70	12.0	5.9	
	HNo.4	MC412284	660	70	12.0	4.1	W/Clip
	HNo.5	MC412282	440	70	10.0	2.2	
	HNo.6	MC412283	290	70	10.0	1.6	
MC421174	Assy		1300	70		55.3	
	MNo.1	MC422934	1300	70	11.0	9.6	W/Bush
	MNo.2	MC422935	1310	70	11.0	9.0	
	MNo.3	MC422936	1020	70	13.0	6.9	
	MNo.4	MC422940	750	70	13.0	4.9	W/Clip
	MNo.5	MC422938	470	70	11.0	2.7	
	MNo.6	MC422939	330	70	11.0	1.8	
	HNo.1	MC422941	1050	70	10.0	5.8	
	HNo.2	MC422942	900	70	13.0	6.4	
	HNo.3	MC422946	640	70	13.0	4.2	W/Clip
	HNo.4	MC422944	410	70	11.0	2.4	
	HNo.5	MC422945	290	70	11.0	1.6	

ASM Number	No. of Leaf	Leaf Number	Span	Width	Thickness	Weight	Add info
MC424770	Assy		1445	70		59.7	
	MNo.1	MC424771	1445	70	10.0	8.7	W/Bush
	MNo.2	MC424772	1445	70	11.0	8.3	
	MNo.3	MC424773	1100	70	11.0	5.7	
	MNo.4	MC424775	930	70	11.0	4.8	W/Clip
	MNo.5	MC424776	760	70	11.0	3.9	
	MNo.6	MC424777	600	70	11.0	3.1	
	MNo.7	MC424778	440	70	11.0	2.3	
	MNo.8	MC424779	290	70	11.0	1.5	
	HNo.1	MC424780	1070	70	10.0	5.0	
	HNo.2	MC424781	900	70	10.0	4.2	
	HNo.3	MC424782	750	70	9.0	3.2	
	HNo.4	MC424784	640	70	9.0	2.7	W/Clip
	HNo.5	MC424785	530	70	9.0	2.2	
	HNo.6	MC424786	420	70	9.0	1.8	
	HNo.7	MC424787	320	70	9.0	1.3	
	HNo.8	MC424788	230	70	9.0	1.0	
MC424790	Assy		1445	70			
	MNo.1	MC424791	1445	70	10.0	8.7	W/Bush
	MNo.2	MC424808	1445	70	11.0	8.3	
	MNo.3	MC424793	1100	70	11.0	5.7	
	MNo.4	MC424795	930	70	11.0	4.8	W/Clip
	MNo.5	MC424796	760	70	11.0	3.9	
	MNo.6	MC424797	600	70	11.0	3.1	
	MNo.7	MC424798	440	70	11.0	2.3	
	MNo.8	MC424799	290	70	11.0	1.5	
	HNo.1	MC424800	1070	70	10.0	5.0	
	HNo.2	MC424801	900	70	10.0	4.2	
	HNo.3	MC424803	720	70	10.0	3.4	W/Clip
	HNo.4	MC424804	590	70	10.0	2.8	
	HNo.5	MC424805	470	70	10.0	2.2	
	HNo.6	MC424806	360	70	10.0	1.7	
	HNo.7	MC424807	250	70	10.0	1.2	

ASM Number	No. of Leaf	Leaf Number	Span	Width	Thickness	Weight	Add info
MC424810	Assy		1445	70			
	MNo.1	MC424811	1445	70	10.0	8.7	W/Bush
	MNo.2	MC424828	1445	70	10.0	8.8	
	MNo.3	MC424813	1110	70	10.0	6.1	
	MNo.4	MC424815	940	70	10.0	5.2	W/Clip
	MNo.5	MC424816	770	70	10.0	4.2	
	MNo.6	MC424817	610	70	10.0	3.4	
	MNo.7	MC424818	450	70	10.0	2.5	
	MNo.8	MC424819	290	70	10.0	1.6	
	HNo.1	MC424820	1080	70	10.0	5.9	
	HNo.2	MC424821	910	70	10.0	5.0	
	HNo.3	MC424823	730	70	10.0	4.0	W/Clip
	HNo.4	MC424824	600	70	10.0	3.3	
	HNo.5	MC424825	480	70	10.0	2.6	
	HNo.6	MC424826	370	70	10.0	2.0	
	HNo.7	MC424827	250	70	10.0	1.4	
MC424950	Assy		1445	70			
	MNo.1	MC424951	1445	70	10.0	8.7	W/Bush
	MNo.2	MC424952	1445	70	11.0	8.3	
	MNo.3	MC424953	1090	70	11.0	5.6	
	MNo.4	MC424955	920	70	11.0	4.7	W/Clip
	MNo.5	MC424956	750	70	11.0	3.9	
	MNo.6	MC424957	590	70	11.0	3.0	
	MNo.7	MC424958	430	70	11.0	2.2	
	MNo.8	MC424959	290	70	11.0	1.5	
	HNo.1	MC424960	1070	70	10.0	5.0	
	HNo.2	MC424961	900	70	10.0	4.2	
	HNo.3	MC424963	720	70	10.0	3.4	W/Clip
	HNo.4	MC424964	590	70	10.0	2.8	
	HNo.5	MC424965	460	70	10.0	2.1	
	HNo.6	MC424966	340	70	10.0	1.6	
	HNo.7	MC424967	240	70	10.0	1.1	

ASM Number	No. of Leaf	Leaf Number	Span	Width	Thickness	Weight	Add info
MC429853	Assy		1300	70			
	MNo.1	MC422934	1300	70	11.0	9.6	W/Bush
	MNo.2	MC090648	1310	70	11.0	9.0	
	MNo.3	MC090649	1030	70	13.0	6.9	
	MNo.4	MC090650	750	70	13.0	4.9	W/Clip
	MNo.5	MC090652	470	70	11.0	2.6	
	MNo.6	MC090653	320	70	11.0	1.7	
	HNo.1	MC422941	1050	70	10.0	5.8	
	HNo.2	MC090654	900	70	13.0	6.4	
	HNo.3	MC090655	640	70	13.0	4.2	W/Clip
	HNo.4	MC090657	420	70	11.0	2.4	
	HNo.5	MC090658	290	70	11.0	1.6	
MC556257	Assy		1580	90		208.9	
	No.1	MC557255	1580	90	25.0	27.9	
	No.2	MC557255	1580	90	25.0	27.9	
	No.3	MC557256	1580	90	25.0	27.9	
	No.4	MC557256	1580	90	25.0	27.9	
	No.5	MC557257	1130	90	25.0	20.0	
	No.6	MC557258	1010	90	25.0	17.8	
	No.7	MC557260	1010	90	25.0	17.8	W/Clip
	No.8	MC557261	770	90	25.0	13.6	
	No.9	MC557262	650	90	25.0	11.5	
	No.10	MC557263	530	90	25.0	9.4	
	No.11	MC557264	410	90	25.0	7.2	
MC558046	Assy		1580	90		246.7	
	No.1	MC557225	1580	90	25.0	27.9	
	No.2	MC557225	1580	90	25.0	27.9	
	No.3	MC557256	1580	90	25.0	27.9	
	No.4	MC557256	1580	90	25.0	27.9	
	No.5	MC557257	1130	90	25.0	20.0	
	No.6	MC557257	1130	90	25.0	20.0	
	No.7	MC557258	1010	90	25.0	17.8	
	No.8	MC557258	1010	90	25.0	17.8	
	No.9	MC557572	1010	90	25.0	17.8	W/Clip
	No.10	MC557261	770	90	25.0	13.6	
	No.11	MC557262	650	90	25.0	11.5	
	No.12	MC557263	530	90	25.0	9.4	
	No.13	MC557264	410	90	25.0	7.2	



ASM Number	No. of Leaf	Leaf Number	Span	Width	Thickness	Weight	Add info
MC626466	Assy		1400	80			
	MNo.1	MC626614	1400	80	11.0	11.7	W/Bush
	MNo.2	MC615691	1410	80	11.0	11.0	
	MNo.3	MC615692	1400	80	11.0	9.7	
	MNo.4	MC615693	1230	80	11.0	8.5	
	MNo.5	MC626615	1230	80	11.0	8.5	W/Clip
	MNo.6	MC615694	1080	80	11.0	7.5	
	MNo.7	MC615695	930	80	11.0	6.4	W/Clip
	MNo.8	MC615697	780	80	11.0	5.4	
	MNo.9	MC615698	630	80	11.0	4.4	
	MNo.10	MC615699	480	80	11.0	3.3	
	MNo.11	MC615700	330	80	11.0	2.3	
	HNo.1	MC615701	1130	80	11.0	7.8	
	HNo.2	MC615701	1130	80	11.0	7.8	
	HNo.3	MC615702	960	80	11.0	6.6	
	HNo.4	MC615703	830	80	11.0	5.7	
	HNo.5	MC615704	730	80	11.0	5.0	
	HNo.6	MC615705	630	80	11.0	4.4	
	HNo.7	MC615706	630	80	11.0	4.4	W/Clip
	HNo.8	MC615707	450	80	11.0	3.1	
	HNo.9	MC615708	360	80	11.0	2.5	
	HNo.10	MC615709	270	80	11.0	1.9	



ASM Number	No. of Leaf	Leaf Number	Span	Width	Thickness	Weight	Add info
MC626907	Assy		1400	80			
	MNo.1	MC628284	1400	80	11.0	11.7	W/Bush
	MNo.2	MC628286	1410	80	11.0	11.0	
	MNo.3	MC628287	1230	80	11.0	8.5	W/Clip
	MNo.4	MC628289	1080	80	11.0	7.5	
	MNo.5	MC628290	930	80	11.0	6.4	W/Clip
	MNo.6	MC628292	780	80	11.0	5.4	
	MNo.7	MC628293	630	80	11.0	4.4	
	MNo.8	MC628294	480	80	11.0	3.3	
	MNo.9	MC628295	330	80	11.0	2.3	
	HNo.1	MC628296	1130	80	11.0	7.8	
	HNo.2	MC628297	960	80	11.0	6.6	
	HNo.3	MC628298	830	80	11.0	5.7	
	HNo.4	MC628299	730	80	11.0	5.0	
	HNo.5	MC628300	630	80	11.0	4.4	
	HNo.6	MC628301	630	80	11.0	4.4	W/Clip
	HNo.7	MC628303	450	80	11.0	3.1	
	HNo.8	MC628304	360	80	11.0	2.5	
	HNo.9	MC628305	270	80	11.0	1.9	
MC629319	Assy		1700	80		127.4	
	No.1	MC629912	1700	80	13.0	16.4	W/Bush
	No.2	MC629913	1710	80	13.0	15.5	
	No.3	MC629914	1700	80	13.0	13.9	
	No.4	MC629915	1540	80	13.0	12.6	
	No.5	MC629915	1540	80	13.0	12.6	
	No.6	MC629916	1390	80	13.0	11.3	
	No.7	MC629917	1240	80	13.0	10.1	W/Clip
	No.8	MC629919	1090	80	13.0	8.9	
	No.9	MC629920	940	80	13.0	7.7	
	No.10	MC629921	790	80	13.0	6.4	
	No.11	MC629922	640	80	13.0	5.2	W/Clip
	No.12	MC629924	490	80	13.0	4.0	
	No.13	MC629925	340	80	13.0	2.8	



ASM Number	No. of Leaf	Leaf Number	Span	Width	Thickness	Weight	Add info
MK248043	Assy		1700	100		103.7	
	No.1	MK249976	1700	100	20.0	22.6	W/Bush
	No.2	MK249977	1710	100	20.0	21.7	
	No.3	MK249978	1720	100	20.0	19.8	
	No.4	MK249979	1720	100	20.0	19.8	
	No.5	MK249987	1720	100	20.0	19.9	W/Clip
MK301801	Assy		1600	90		114.2	
	MNo.1	MK301802	1600	90	22.0	21.7	W/Bush
	MNo.2	MK301803	1620	90	22.0	20.7	
	MNo.3	MK301804	1640	90	22.0	18.9	
	MNo.4	MK301805	1640	90	22.0	18.9	W/Clip
	HNo.1	MK301807	1190	90	13.0	8.5	
	HNo.2	MK301808	1190	90	13.0	8.5	
	HNo.3	MK301809	1190	90	13.0	8.5	
	HNo.4	MK301810	1190	90	13.0	8.5	W/Clip
MK304348	Assy		1600	90		90.5	
	MNo.1	MK311866	1600	90	22.5	21.3	W/Bush
	MNo.2	MK313306	1610	90	22.5	19.8	
	MNo.3	MK313308	1620	90	22.5	18.1	W/Clip
	HNo.1	MK302964	1190	90	19.0	11.1	
	HNo.2	MK302965	1050	90	19.0	10.1	
	HNo.3	MK302967	1050	90	19.0	10.1	W/Clip
MK305146	Assy		1600	90		81.8	
	MNo.1	MK311878	1600	90	25.0	23.0	W/Bush
	MNo.2	MK311879	1610	90	25.0	21.8	
	MNo.3	MK311881	1620	90	25.0	20.0	W/Clip
	HNo.1	MC094153	1190	90	14.0	8.5	
	HNo.2	MC194155	1190	90	14.0	8.5	W/Clip
MK306246	Assy		1500	90		94.8	
	No.1	MK311132	1500	90	25.0	19.4	
	No.2	MK311133	1440	90	25.0	18.9	
	No.3	MK311134	1400	90	25.0	18.5	
	No.4	MK311135	1550	90	25.0	19.8	
	No.5	MK311136	1360	90	25.0	18.2	W/Clip



ASM Number	No. of Leaf	Leaf Number	Span	Width	Thickness	Weight	Add info
MK306247	Assy		1500	90		109.6	
	No.1	MK311132	1500	90	25.0	19.4	
	No.2	MK311133	1440	90	25.0	18.9	
	No.3	MK311134	1400	90	25.0	18.5	
	No.4	MK311135	1550	90	25.0	19.8	
	No.5	MK311136	1360	90	25.0	18.2	
	No.6	MK31142	1360	90	20.0	14.8	W/Clip
MK306250	Assy		1500	90		103.8	
	No.1	MK311908	1500	90	30.0	23.1	
	No.2	MK311909	1370	90	30.0	21.0	
	No.3	MK311910	1448	90	30.0	22.0	
	No.4	MK311911	1220	90	30.0	19.4	
	No.5	MK311912	1120	90	30.0	18.3	W/Clip
MK306251	Assy		1500	90		111.2	
	No.1	MK311916	1500	90	32.0	24.7	
	No.2	MK311917	1370	90	32.0	22.4	
	No.3	MK311918	1468	90	32.0	23.7	
	No.4	MK311919	1220	90	32.0	20.8	
	No.5	MK311920	1120	90	32.0	19.6	W/Clip
MK306252	Assy		1380	90		83.9	
	No.1	MK311940	1380	90	27.0	19.5	
	No.2	MK311941	1190	90	27.0	16.8	
	No.3	MK311942	1324	90	27.0	18.5	
	No.4	MK311943	1046	90	27.0	15.0	
	No.5	MK311945	960	90	27.0	14.1	W/Clip
MK306253	Assy		1380	90		86.2	
	No.1	MK311948	1380	90	28.0	19.9	
	No.2	MK311949	1190	90	28.0	17.3	
	No.3	MK311950	1324	90	28.0	19.0	
	No.4	MK311951	1046	90	28.0	15.4	
	No.5	MK311953	960	90	28.0	14.6	W/Clip

ASM Number	No. of Leaf	Leaf Number	Span	Width	Thickness	Weight	Add info
MK310163	Assy		1400	80		81.1	
	MNo.1	MK315426	1400	80	11.0	11.7	W/Bush
	MNo.2	MK315428	1410	80	11.0	11.0	
	MNo.3	MK315429	1210	80	14.0	10.1	
	MNo.4	MK315430	920	80	14.0	7.5	W/Clip
	MNo.5	MK315432	630	80	14.0	5.0	
	MNo.6	MK315433	340	80	11.0	2.1	
	HNo.1	MK315434	1130	80	11.0	7.8	
	HNo.2	MK315435	960	80	13.0	7.8	
	HNo.3	MK315436	770	80	13.0	6.0	W/Clip
	HNo.4	MK315438	590	80	13.0	4.5	
	HNo.5	MK315439	410	80	11.0	2.7	
	HNo.6	MK315440	300	80	11.0	2.1	
MK310418	Assy		1400	80		86.9	
	MNo.1	MK315550	1400	80	11.0	11.7	W/Bush
	MNo.2	MK310552	1410	80	13.0	13.1	
	MNo.3	MK310553	1160	80	13.0	9.1	
	MNo.4	MK310554	960	80	13.0	7.5	W/Clip
	MNo.5	MK310556	760	80	13.0	5.9	
	MNo.6	MK310557	560	80	13.0	4.2	
	MNo.7	MK310558	360	80	12.0	2.5	
	HNo.1	MK310559	1130	80	11.0	7.8	
	HNo.2	MK310560	1000	80	13.0	8.2	
	HNo.3	MK310561	810	80	13.0	6.3	W/Clip
	HNo.4	MK310563	640	80	13.0	4.9	
	HNo.5	MK310564	470	80	12.0	3.3	
HNo.6	MK310565	340	80	12.0	2.4		
MK310757	Assy		1500	90		119.2	
	No.1	MK311908	1500	90	30.0	23.1	
	No.2	MK311909	1370	90	30.0	21.0	
	No.3	MK311910	1448	90	30.0	22.0	
	No.4	MK311911	1220	90	30.0	19.4	
	No.5	MK311913	1120	90	30.0	18.3	
	No.6	MK311914	1120	90	25.0	15.4	W/Clip

ASM Number	No. of Leaf	Leaf Number	Span	Width	Thickness	Weight	Add info
MK311752	Assy		1300	60/70		44.6	
	MNo.1	MK315006	1300	60/70	11.0	8.7	W/Bush
	MNo.2	MK315007	1305	60	14.0	9.8	
	MNo.3	MK315008	800	60	14.0	4.7	W/Clip
	MNo.4	MK315010	420	60	12.0	2.1	
	HNo.1	MK315011	1050	60	11.0	5.4	
	HNo.2	MK315012	900	60	14.0	5.9	
	HNo.3	MK315013	680	60	14.0	4.2	W/Clip
	HNo.4	MK315015	440	60	12.0	2.3	
	HNo.5	MK315016	290	60	12.0	1.5	
MK314713	Assy		1600	90		84.4	
	MNo.1	MK314714	1600	90	23.0	21.7	W/Bush
	MNo.2	MK314715	1610	90	23.0	19.9	
	MNo.3	MK314723	1600	90	23.0	18.1	W/Clip
	HNo.1	MK314717	1190	90	21.0	12.9	
	HNo.2	MK314724	1050	90	21.0	11.8	W/Clip
MK330591	Assy		1460	90		96.1	
	No.1	MK459701	1460	90	34.0	25.4	
	No.2	MK459702	1370	90	34.0	23.8	
	No.3	MK459703	1460	90	34.0	24.9	
	No.4	MK459704	1220	90	34.0	22.0	W/Clip
MK332379	Assy		1550	70		41.3	
	No.1	MK335680	1550	70	21.0	14.5	W/Bush
	No.2	MK333580	1560	70	21.0	13.9	
	No.3	MK333582	1570	70	21.0	12.9	W/Clip
MK333855	Assy		1300	70		70.5	
	MNo.1	MK315021	1300	70	11.0	9.6	W/Bush
	MNo.2	MK315023	1310	70	11.0	9.0	
	MNo.3	MK315024	1080	70	14.0	7.9	
	MNo.4	MK315025	770	70	14.0	5.5	W/Clip
	MNo.5	MK315027	460	70	11.0	2.6	
	MNo.6	MK315028	310	70	11.0	1.7	
	HNo.1	MK315037	1050	70	10.0	5.8	
	HNo.2	MK315029	1050	70	11.0	6.3	
	HNo.3	MK315030	900	70	14.0	6.9	
	HNo.4	MK315031	730	70	14.0	5.4	
	HNo.5	MK315038	570	70	14.0	4.1	W/Clip
	HNo.6	MK315034	410	70	11.0	2.4	
	HNo.7	MK315035	330	70	11.0	1.9	
	HNo.8	MK315036	250	70	11.0	1.4	

ASM Number	No. of Leaf	Leaf Number	Span	Width	Thickness	Weight	Add info
MK333856	Assy		1300	70		69.2	
	MNo.1	MK334226	1300	70	11.0	9.6	W/Bush
	MNo.2	MK334228	13010	70	14.0	11.6	
	MNo.3	MK334229	980	70	14.0	7.1	
	MNo.4	MK334230	710	70	14.0	5.0	W/Clip
	MNo.5	MK334232	430	70	11.0	2.5	
	MNo.6	MK334233	300	70	11.0	1.7	
	HNo.1	MK334234	1050	70	12.0	6.9	
	HNo.2	MK334235	900	70	14.0	6.9	
	HNo.3	MK334236	780	70	14.0	5.9	
	HNo.4	MK336116	650	70	14.0	4.9	W/Clip
	HNo.5	MK334239	520	70	12.0	3.3	
	HNo.6	MK334240	370	70	11.0	2.2	
	HNo.7	MK334241	270	70	11.0	1.6	
MK333862	Assy		1400	80		91.5	
	MNo.1	MK315550	1400	80	11.0	11.7	W/Bush
	MNo.2	MK315552	1410	80	13.0	13.1	
	MNo.3	MK315553	1160	80	13.0	9.1	
	MNo.4	MK315554	960	80	13.0	7.5	W/Clip
	MNo.5	MK315556	760	80	13.0	5.9	
	MNo.6	MK315557	560	80	13.0	4.2	
	MNo.7	MK315558	360	80	12.0	2.5	
	HNo.1	MK315559	1130	80	11.0	7.8	
	HNo.2	MK315560	1000	80	13.0	8.2	
	HNo.3	MK336118	810	80	13.0	6.3	W/Clip
	HNo.4	MK315563	640	80	13.0	4.9	
	HNo.5	MK315564	470	80	12.0	3.3	
	HNo.6	MK315565	340	80	12.0	2.4	
MK382207	Assy		1600	90		77.4	
	MNo.1	MK311878	1600	90	24.7	24.2	W/Bush
	MNo.2	MK311879	1610	90	24.7	22.4	
	MNo.3	MK316361	1600	90	24.7	20.1	W/Clip
	HNo.1	MK3296970	1190	90	18.0	10.7	
MK382218	Assy		1600	90		85.0	
	MNo.1	MK382220	1600	90	22.5	21.8	W/Bush
	MNo.2	MK382221	1610	90	22.5	19.9	
	MNo.3	MK332133	1600	90	22.5	17.9	W/Clip
	HNo.1	MK329795	1190	90	22.5	13.3	
	HNo.2	MK329797	1050	90	22.5	12.1	W/Clip



ASM Number	No. of Leaf	Leaf Number	Span	Width	Thickness	Weight	Add info
MK382224	Assy		1600	90		83.6	
	MNo.1	MK382225	1600	90	23.0	22.3	W/Bush
	MNo.2	MK382226	1610	90	23.0	19.8	
	MNo.3	MK432786	1600	90	23.0	18.0	W/Clip
	HNo.1	MK314717	1190	90	21.0	12.2	
	HNo.2	MK314724	1050	90	21.0	11.3	W/Clip
MK382877	Assy		1460	90		105.7	
	No.1	MK336236	1460	90	30.0	23.2	
	No.2	MK336237	1370	90	30.0	21.7	
	No.3	MK336238	1440	90	30.0	22.5	
	No.4	MK336239	1220	90	30.0	19.8	
	No.5	MK383621	1120	90	30.0	18.5	W/Clip
MK382878	Assy		1460	90		111.8	
	No.1	MK336244	1460	90	32.0	24.2	
	No.2	MK336245	1360	90	32.0	23.1	
	No.3	MK336246	1460	90	32.0	24.0	
	No.4	MK336247	1220	90	32.0	20.8	
	No.5	MK383622	1120	90	32.0	19.7	W/Clip
MK382880	Assy		1464	90		118.3	
	No.1	MK336236	1464	90	30.0	22.7	
	No.2	MK336237	1370	90	30.0	21.0	
	No.3	MK336238	1448	90	30.0	22.0	
	No.4	MK336239	1220	90	30.0	19.4	
	No.5	MK336241	1120	90	30.0	18.3	
	No.6	MK383624	1120	90	25.0	14.9	W/Clip
MK382881	Assy		1460	90		125.9	
	No.1	MK336244	1460	90	32.0	24.2	
	No.2	MK336245	1360	90	32.0	23.1	
	No.3	MK336246	1460	90	32.0	24.0	
	No.4	MK336247	1220	90	32.0	20.8	
	No.5	MK336249	1120	90	32.0	19.7	
	No.6	MK383624	1120	90	25.0	14.1	W/Clip
MK383338	Assy		1500	90		107.9	
	No.1	MK31132	1500	90	25.0	19.4	
	No.2	MK31133	1440	90	25.0	18.9	
	No.3	MK31134	1400	90	25.0	18.5	
	No.4	MK31135	1550	90	25.0	19.8	
	No.5	MK31136	1360	90	25.0	18.2	
	No.6	MK383339	1160	90	20.0	13.1	W/Clip

ASM Number	No. of Leaf	Leaf Number	Span	Width	Thickness	Weight	Add info
MK432434	Assy		1520	90		183.0	
	No.1	MK432767	1520	90	32.0	26.9	
	No.2	MK432768	1410	90	32.0	25.2	
	No.3	MK432769	1330	90	32.0	24.0	
	No.4	MK432770	1250	90	32.0	22.7	
	No.5	MK432771	1500	90	32.0	26.6	
	No.6	MK432772	1080	90	32.0	19.2	
	No.7	MK432773	1080	90	32.0	19.2	
	No.8	MK432774	1080	90	32.0	19.2	W/Clip
MK433175	Assy		1600	90		86.3	
	MNo.1	MK382225	1600	90	23.0	23.6	W/Bush
	MNo.2	MK382226	1610	90	23.0	20.2	
	MNo.3	MK432786	1600	90	23.0	18.4	W/Clip
	HNo.1	MK314717	1190	90	21.0	12.9	
	HNo.2	MK433515	1050	90	21.0	11.2	W/Clip
MK470178	Assy		1380	90		84.4	
	No.1	MK311956	1380	90	27.0	19.5	
	No.2	MK311957	1210	90	27.0	17.0	
	No.3	MK470271	1360	90	27.0	18.8	
	No.4	MK311959	1046	90	27.0	15.0	
	No.5	MK432819	960	90	27.0	14.1	W/Clip
MK472803	Assy		1300	70		61.2	
	MNo.1	MK631012	1300	70	23.0	12.9	W/Bush
	MNo.2	MK631014	1320	70	24.0	13.6	W/Clip
	HNo.1	MK631016	1050	70	19.0	7.6	
	HNo.2	MK631017	900	70	19.0	6.8	
	HNo.3	MK631018	900	70	19.0	6.8	
	HNo.4	MK631021	900	70	19.0	6.8	
	HNo.5	MK631022	900	70	19.0	6.8	W/Clip



ASM Number	No. of Leaf	Leaf Number	Span	Width	Thickness	Weight	Add info
MK311292	Assy		1300	60		44.4	
	MNo.1	ML311560	1300	60	11.0	8.2	W/Bush
	MNo.2	ML311562	1310	60	14.0	9.9	
	MNo.3	ML311563	790	60	14.0	4.8	W/Clip
	MNo.4	ML311565	420	60	12.0	2.0	
	HNo.1	ML311566	1050	60	11.0	5.4	
	HNo.2	ML311567	900	60	14.0	5.9	
	HNo.3	ML311568	670	60	14.0	4.2	W/Clip
	HNo.4	ML311570	440	60	12.0	2.4	
	HNo.5	ML311571	300	60	12.0	1.6	
ML326095	Assy		1300	70		64.3	
	MNo.1	MK459235	1300	70	11.0	9.6	W/Bush
	MNo.2	ML326098	1310	70	11.0	9.0	
	MNo.3	MK459238	1080	70	14.0	7.7	
	MNo.4	MK459239	770	70	11.0	5.4	W/Clip
	MNo.5	ML315027	460	70	11.0	2.6	
	MNo.6	ML315028	310	70	11.0	1.7	
	HNo.1	ML315029	1050	70	11.0	6.3	
	HNo.2	MK459241	900	70	14.0	6.9	
	HNo.3	MK459242	720	70	14.0	5.3	
	HNo.4	MK459243	560	70	14.0	4.1	W/Clip
	HNo.5	MK315034	400	70	11.0	2.4	
	HNo.6	MK315035	320	70	11.0	1.9	
	HNo.7	MK315036	240	70	11.0	1.4	



LAND CRUISER

www.nakano-sp.co.jp

ASM Number	No. of Leaf	Leaf Number	Span	Width	Thickness	Weight	Add info
48110-60020	Assy		1100	70		16.0	
	No.1		1100	70	6.0	4.3	W/Bush
	No.2		1100	70	6.0	4.1	
	No.3		920	70	6.0	2.9	W/Clip
	No.4		730	70	6.0	2.3	
	No.5		525	70	6.0	1.6	W/Clip
	No.6		290	70	6.0	0.8	
48110-60060	Assy		1100	70		18.3	
	No.1		1100	70	6.0	4.3	W/Bush
	No.2		1100	70	6.0	4.2	
	No.3		960	70	6.0	3.1	W/Clip
	No.4		800	70	6.0	2.5	
	No.5		635	70	6.0	2.0	W/Clip
	No.6		460	70	6.0	1.4	
48110-60061	Assy		1100	70		17.7	
	No.1		1100	70	6.0	4.3	W/Bush
	No.2		1100	70	6.0	4.0	
	No.3		920	70	6.0	2.9	W/Clip
	No.4		755	70	6.0	2.4	
	No.5		590	70	6.0	1.8	W/Clip
	No.6		430	70	6.0	1.4	
48110-60062	Assy		1106	70		18.2	
	No.1		1106	70	6.0	4.5	W/Bush
	No.2		1106	70	6.0	4.3	
	No.3		925	70	6.0	2.9	
	No.4		760	70	6.0	2.4	W/Clip
	No.5		595	70	6.0	1.8	
	No.6		430	70	6.0	1.4	
48110-60080	Assy		1100	70		17.9	
	No.1		1100	70	6.0	4.4	W/Bush
	No.2		1100	70	6.0	4.1	
	No.3		930	70	6.0	3.0	W/Clip
	No.4		760	70	6.0	2.4	
	No.5		600	70	6.0	1.9	W/Clip
	No.6		430	70	6.0	1.3	
No.7		270	70	6.0	0.8		



LAND CRUISER

www.nakano-sp.co.jp

ASM Number	No. of Leaf	Leaf Number	Span	Width	Thickness	Weight	Add info
48110-60100	Assy		1110	70		17.8	
	No.1		1110	70	6.0	4.3	W/Bush
	No.2		1110	70	6.0	4.1	
	No.3		925	70	6.0	2.9	W/Clip
	No.4		760	70	6.0	2.4	
	No.5		595	70	6.0	1.8	W/Clip
	No.6		430	70	6.0	1.4	
	No.7		265	70	6.0	0.9	
48110-60101	Assy		1106	70		17.8	
	No.1		1106	70	6.0	4.3	W/Bush
	No.2		1106	70	6.0	4.1	
	No.3		925	70	6.0	2.9	W/Clip
	No.4		760	70	6.0	2.4	
	No.5		595	70	6.0	1.8	W/Clip
	No.6		430	70	6.0	1.4	
	No.7		265	70	6.0	0.9	
48110-60102	Assy		1106	70		18.1	
	No.1		1106	70	6.0	4.5	W/Bush
	No.2		1106	70	6.0	4.3	
	No.3		910	70	6.0	2.9	
	No.4		748	70	6.0	2.3	W/Clip
	No.5		586	70	6.0	1.8	
	No.6		424	70	6.0	1.4	
	No.7		262	70	6.0	0.9	
48110-60120	Assy		1100	70		19.9	
	No.1		1100	70	6.0	4.4	W/Bush
	No.2		1100	70	6.0	4.1	
	No.3		950	70	6.0	3.0	W/Clip
	No.4		810	70	6.0	2.6	
	No.5		670	70	6.0	2.1	
	No.6		530	70	6.0	1.6	W/Clip
	No.7		400	70	6.0	1.3	
	No.8		250	70	6.0	0.8	



LAND CRUISER

www.nakano-sp.co.jp

ASM Number	No. of Leaf	Leaf Number	Span	Width	Thickness	Weight	Add info
48110-60121	Assy		1100	70		17.2	
	No.1		1100	70	6.0	4.4	W/Bush
	No.2		1100	70	6.0	4.1	
	No.3		900	70	7.0	3.5	W/Clip
	No.4		700	70	7.0	2.5	
	No.5		500	70	7.0	1.7	W/Clip
	No.6		300	70	7.0	1.0	
48110-60130	Assy		1100	70		17.9	
	No.1		1100	70	6.0	4.4	W/Bush
	No.2		1100	70	6.0	4.1	
	No.3		920	70	6.0	2.9	W/Clip
	No.4		750	70	6.0	2.4	
	No.5		580	70	6.0	1.8	W/Clip
	No.6		420	70	6.0	1.4	
48110-60140	Assy		1100	70		20.1	
	No.1		1100	70	6.0	4.4	W/Bush
	No.2		1100	70	6.0	4.1	
	No.3		960	70	6.0	3.1	W/Clip
	No.4		820	70	6.0	2.6	
	No.5		680	70	6.0	2.1	
	No.6		540	70	6.0	1.7	W/Clip
	No.7		400	70	6.0	1.3	
48110-60160	Assy		1100	70		17.6	
	No.1		1100	70	6.0	4.5	W/Bush
	No.2		1100	70	6.0	4.3	
	No.3		900	70	7.0	3.5	W/Clip
	No.4		700	70	7.0	2.5	
	No.5		500	70	7.0	1.8	W/Clip
48110-60161	Assy		1100	70		17.8	
	No.1		1100	70	6.0	4.5	W/Bush
	No.2		1100	70	6.0	4.3	
	No.3		950	70	7.0	3.7	W/Clip
	No.4		700	70	7.0	2.5	
	No.5		500	70	7.0	1.8	W/Clip
No.6		290	70	7.0	1.0		



LAND CRUISER

www.nakano-sp.co.jp

ASM Number	No. of Leaf	Leaf Number	Span	Width	Thickness	Weight	Add info
48110-60170	Assy		1100	70		14.0	
	No.1		1100	70	6.0	4.5	W/Bush
	No.2		1100	70	6.0	4.3	
	No.3		860	70	6.0	2.6	W/Clip
	No.4		560	70	6.0	1.6	
	No.5		330	70	6.0	1.0	W/clip
48110-60210	Assy		1100	70		17.5	
	No.1		1100	70	6.0	4.5	W/Bush
	No.2		1100	70	6.0	4.3	
	No.3		900	70	7.0	3.5	W/Clip
	No.4		700	70	7.0	2.5	
	No.5		500	70	7.0	1.7	W/Clip
	No.6		300	70	7.0	1.0	
48110-60250	Assy		1140	70		16.5	
	No.1		1140	70	6.0	4.6	W/Bush
	No.2		1140	70	7.0	5.2	
	No.3		930	70	7.0	3.3	W/Clip
	No.4		630	70	7.0	2.2	
	No.5		370	70	7.0	1.2	
48110-60361	Assy		1100	70		21.5	
	No.1		1100	70	6.0	4.5	W/Bush
	No.2		1100	70	6.0	4.3	
	No.3		930	70	6.0	3.0	W/Clip
	No.4		775	70	6.0	2.4	
	No.5		690	70	6.0	2.1	
	No.6		605	70	6.0	1.9	W/Clip
	HNo.1		460	70	13.0	3.3	W/Clip
48110-60410	Assy		1100	70		14.9	
	No.1		1100	70	6.0	4.5	W/Bush
	No.2		1100	70	6.0	4.3	
	No.3		850	70	6.0	2.7	W/Clip
	No.4		620	70	7.0	2.3	
	No.5		330	70	7.0	1.1	W/Clip



LAND CRUISER

www.nakano-sp.co.jp

ASM Number	No. of Leaf	Leaf Number	Span	Width	Thickness	Weight	Add info
48110-60460	Assy		1100	70		21.5	
	No.1		1100	70	6.0	4.5	W/Bush
	No.2		1100	70	6.0	4.3	
	No.3		930	70	6.0	3.0	W/Clip
	No.4		775	70	6.0	2.4	
	No.5		690	70	6.0	2.1	
	No.6		605	70	6.0	1.9	W/Clip
	HNo.1		460	70	13.0	3.3	W/Clip
48110-90560	Assy		1145	70		19.3	
	No.1		1145	70	6.0	4.7	W/Bush
	No.2		1145	70	7.0	5.2	
	No.3		980	70	7.0	3.7	W/Clip
	No.4		740	70	7.0	2.7	
	No.5		530	70	7.0	1.9	W/Clip
	No.6		320	70	7.0	1.1	



LAND CRUISER

www.nakano-sp.co.jp

ASM Number	No. of Leaf	Leaf Number	Span	Width	Thickness	Weight	Add info
48210-60040	Assy		1100	70		16.3	
	No.1		1100	70	6.0	4.3	W/Bush
	No.2		1100	70	6.0	4.2	
	No.3		920	70	6.0	2.9	W/Clip
	No.4		730	70	6.0	2.3	
	No.5		525	70	6.0	1.6	W/Clip
	No.6		290	70	6.0	1.0	
48210-60100	Assy		1320	70		38.5	
	No.1		1320	70	7.0	6.0	W/Bush
	No.2		1320	70	7.0	5.6	
	No.3		1220	70	7.0	4.7	
	No.4		1120	70	7.0	4.3	W/Clip
	No.5		1010	70	7.0	3.9	
	No.6		910	70	7.0	3.5	
	HNo.1		800	70	11.0	4.8	
	HNo.2		580	70	11.0	3.5	W/Clip
HNo.3		360	70	11.0	2.2		
48210-60101	Assy		1326	70		31.2	
	No.1		1326	70	7.0	6.1	W/Bush
	No.2		1326	70	7.0	5.9	
	No.3		1220	70	7.0	4.7	
	No.4		1070	70	7.0	4.1	W/Clip
	No.5		920	70	7.0	3.5	
	No.6		770	70	7.0	3.0	
	HNo.1		620	70	13.0	3.9	W/Clip
48210-60120	Assy		1100	70		16.1	
	No.1		1100	70	6.0	4.2	W/Bush
	No.2		1100	70	6.0	4.2	
	No.3		920	70	6.0	2.9	W/Bush
	No.4		730	70	6.0	2.3	
	No.5		525	70	6.0	1.6	W/Bush
	No.6		290	70	6.0	0.8	
48210-60121	Assy		1115	70		16.1	
	No.1		1115	70	6.0	4.6	W/Bush
	No.2		1115	70	6.0	4.3	
	No.3		860	70	6.0	2.7	
	No.4		670	70	6.0	2.1	W/Clip
	No.5		480	70	6.0	1.5	
	No.6		295	70	6.0	0.9	



LAND CRUISER

www.nakano-sp.co.jp

ASM Number	No. of Leaf	Leaf Number	Span	Width	Thickness	Weight	Add info
48210-60140	Assy		1320	70		38.6	
	No.1		1320	70	7.0	6.0	W/Bush
	No.2		1320	70	7.0	5.7	
	No.3		1220	70	7.0	4.7	
	No.4		1120	70	7.0	4.3	W/Clip
	No.5		1010	70	7.0	3.9	
	No.6		900	70	7.0	3.5	
	HNo.1		800	70	11.0	4.8	W/Clip
	HNo.2		580	70	11.0	3.5	
HNo.3		360	70	11.0	2.2		
48210-60141	Assy		1326	70		38.9	
	No.1		1326	70	7.0	6.1	W/Bush
	No.2		1326	70	7.0	5.9	
	No.3		1220	70	7.0	4.7	
	No.4		1120	70	7.0	4.3	W/Clip
	No.5		1010	70	7.0	3.9	
	No.6		900	70	7.0	3.5	
	HNo.1		800	70	11.0	4.8	W/Clip
	HNo.2		580	70	11.0	3.5	
HNo.3		360	70	11.0	2.2		
48210-60150	Assy		1200	70		31.8	
	No.1		1200	70	7.0	5.7	W/Bush
	No.2		1200	70	7.0	5.2	
	No.3		1100	70	7.0	4.2	
	No.4		1000	70	7.0	3.8	W/Clip
	No.5		900	70	7.0	3.5	
	No.6		800	70	7.0	3.1	
	No.7		700	70	7.0	2.7	
	HNo.1		600	70	13.0	3.6	
48210-60151	Assy		1200	70		31.6	
	No.1		1200	70	7.0	5.7	W/Bush
	No.2		1200	70	7.0	5.2	
	No.3		1100	70	7.0	4.2	
	No.4		1000	70	7.0	3.8	W/Bush
	No.5		900	70	7.0	3.5	
	No.6		800	70	7.0	3.0	
	No.7		700	70	7.0	2.6	W/Bush
	HNo.1		600	70	13.0	3.6	



LAND CRUISER

www.nakano-sp.co.jp

ASM Number	No. of Leaf	Leaf Number	Span	Width	Thickness	Weight	Add info
48210-60160	Assy		1200	70		21.9	
	No.1		1200	70	6.0	4.9	W/Bush
	No.2		1200	70	6.0	4.5	
	No.3		1050	70	6.0	3.3	W/Clip
	No.4		890	70	6.0	2.8	
	No.5		730	70	6.0	2.3	
	No.6		570	70	6.0	1.9	W/Clip
	No.7		410	70	6.0	1.4	
	No.8		250	70	6.0	0.8	
48210-60180	Assy		1200	70		29.3	
	No.1		1200	70	6.0	4.9	W/Bush
	No.2		1200	70	6.0	4.5	
	No.3		1080	70	6.0	3.6	W/Clip
	No.4		980	70	6.0	3.2	
	No.5		880	70	6.0	2.9	
	No.6		780	70	6.0	2.6	
	No.7		690	70	6.0	2.3	W/Clip
	HNo.1		600	70	10.0	3.3	
HNo.2		360	70	10.0	2.0		
48210-60181	Assy		1200	70		23.7	
	No.1		1200	70	7.0	5.7	W/Bush
	No.2		1200	70	7.0	5.2	
	No.3		1000	70	7.0	3.7	
	No.4		850	70	7.0	3.1	W/Clip
	No.5		700	70	7.0	2.6	
	HNo.1		550	70	13.0	3.4	
48210-60200	Assy		1100	70		16.1	
	No.1		1100	70	6.0	4.3	W/Bush
	No.2		1100	70	6.0	4.2	
	No.3		920	70	6.0	2.9	W/Clip
	No.4		730	70	6.0	2.3	
	No.5		525	70	6.0	1.6	W/Clip
	No.6		290	70	6.0	0.8	



LAND CRUISER

www.nakano-sp.co.jp

ASM Number	No. of Leaf	Leaf Number	Span	Width	Thickness	Weight	Add info
48210-60201	Assy		1115	70		16.0	
	No.1		1115	70	6.0	4.6	W/Bush
	No.2		1115	70	6.0	4.3	
	No.3		860	70	6.0	2.7	
	No.4		670	70	6.0	2.1	W/Clip
	No.5		480	70	6.0	1.5	
	No.6		290	70	6.0	0.8	
48210-60211	Assy		1326	70		38.9	
	No.1		1326	70	7.0	6.1	W/Bush
	No.2		1326	70	7.0	5.9	
	No.3		1220	70	7.0	4.7	
	No.4		1120	70	7.0	4.3	W/Clip
	No.5		1010	70	7.0	3.9	
	No.6		900	70	7.0	3.5	
	HNo.1		800	70	11.0	4.8	W/Clip
	HNo.2		580	70	11.0	3.5	
HNo.3		360	70	11.0	2.2		
48210-60240	Assy		1200	70		25.1	
	No.1		1200	70	7.0	5.7	W/Bush
	No.2		1200	70	7.0	5.4	
	No.3		1065	70	7.0	4.0	
	No.4		925	70	7.0	3.4	W/Clip
	No.5		785	70	6.0	2.5	
	HNo.1		645	70	13.0	4.1	
48210-60250	Assy		1200	70		19.5	
	No.1		1200	70	7.0	5.7	W/Bush
	No.2		1200	70	6.0	4.6	
	No.3		1060	70	6.0	3.3	W/Clip
	No.4		800	70	7.0	2.8	
	No.5		580	70	7.0	2.0	W/Clip
	No.6		340	70	7.0	1.1	
48210-60270	Assy		1200	70		25.1	
	No.1		1200	70	7.0	5.7	W/Bush
	No.2		1200	70	7.0	5.4	
	No.3		1065	70	7.0	4.0	
	No.4		925	70	7.0	3.4	W/Clip
	No.5		785	70	6.0	2.5	
	HNo.1		645	70	13.0	4.1	



LAND CRUISER

www.nakano-sp.co.jp

ASM Number	No. of Leaf	Leaf Number	Span	Width	Thickness	Weight	Add info
48210-60280	Assy		1200	70		19.4	
	No.1		1200	70	7.0	5.7	W/Bush
	No.2		1200	70	6.0	4.6	
	No.3		1045	70	6.0	3.2	W/Clip
	No.4		790	70	7.0	2.9	
	No.5		580	70	7.0	2.0	W/Clip
	No.6		340	70	7.0	1.0	
48210-60290	Assy		1326	70		38.9	
	No.1		1326	70	7.0	6.1	W/Bush
	No.2		1326	70	7.0	5.9	
	No.3		1220	70	7.0	4.7	
	No.4		1120	70	7.0	4.3	W/Clip
	No.5		1010	70	7.0	3.9	
	No.6		900	70	7.0	3.5	
	HNo.1		800	70	11.0	4.8	
	HNo.2		580	70	11.0	3.5	W/Clip
	HNo.3		360	70	11.0	2.2	
48210-60300	Assy		1326	70		43.6	
	No.1		1326	70	7.0	6.1	W/Bush
	No.2		1326	70	7.0	5.9	
	No.3		1220	70	7.0	4.7	
	No.4		1220	70	7.0	4.7	
	No.5		1120	70	7.0	4.3	W/Clip
	No.6		1010	70	7.0	3.9	
	No.7		900	70	7.0	3.5	
	HNo.1		800	70	11.0	4.8	W/Clip
	HNo.2		580	70	11.0	3.5	
	HNo.3		360	70	11.0	2.2	
48210-60380	Assy		1200	70		20.8	
	No.1		1200	70	7.0	5.7	W/Bush
	No.2		1200	70	6.0	4.6	
	No.3		970	70	7.0	3.6	W/Clip
	No.4		750	70	7.0	2.7	
	No.5		580	70	7.0	2.1	W/Clip
	No.6		410	70	7.0	1.4	
	No.7		250	70	6.0	0.7	



LAND CRUISER

www.nakano-sp.co.jp

ASM Number	No. of Leaf	Leaf Number	Span	Width	Thickness	Weight	Add info
48210-60400	Assy		1200	70		20.9	
	No.1		1200	70	7.0	5.7	W/Bush
	No.2		1200	70	6.0	4.6	
	No.3		975	70	7.0	3.6	W/Clip
	No.4		745	70	7.0	2.7	
	No.5		585	70	7.0	2.1	W/Clip
	No.6		425	70	7.0	1.5	
	No.7		265	70	6.0	0.7	
48210-60420	Assy		1326	70		30.1	
	No.1		1326	70	7.0	6.2	W/Bush
	No.2		1326	70	7.0	5.9	
	No.3		1145	70	8.0	5.0	W/Clip
	No.4		990	70	8.0	4.4	
	HNo.1		840	70	13.0	5.5	W/Clip
	HNo.2		510	70	13.0	3.1	
48210-60430	Assy		1326	70		44.3	
	No.1		1326	70	7.0	6.2	W/Bush
	No.2		1326	70	7.0	5.9	
	No.3		1230	70	7.0	4.7	
	No.4		1230	70	7.0	4.7	W/Clip
	No.5		1100	70	7.0	4.2	
	No.6		1100	70	7.0	4.2	
	HNo.1		1010	70	13.0	6.8	
	HNo.2		730	70	13.0	4.8	W/Clip
	HNo.3		450	70	13.0	2.8	
48210-60440	Assy		1200	70		24.0	
	No.1		1200	70	5.7	5.7	W/Bush
	No.2		1200	70	4.6	4.6	
	No.3		1075	70	3.4	3.4	W/Clip
	No.4		875	70	2.8	2.8	
	No.5		740	70	2.3	2.3	
	No.6		605	70	1.9	1.9	
	No.7		475	70	1.5	1.5	W/Clip
	No.8		350	70	1.1	1.1	
	No.9		250	70	0.7	0.7	



LAND CRUISER

www.nakano-sp.co.jp

ASM Number	No. of Leaf	Leaf Number	Span	Width	Thickness	Weight	Add info
48210-60521	Assy		1200	70		25.2	
	No.1		1200	70	7.0	5.7	W/Bush
	No.2		1200	70	6.0	4.6	
	No.3		1095	70	6.0	3.5	W/Clip
	No.4		935	70	6.0	3.0	
	No.5		795	70	6.0	2.5	
	No.6		660	70	6.0	2.1	
	No.7		540	70	6.0	1.7	W/Clip
	No.8		400	70	6.0	1.2	
	No.9		300	70	6.0	0.9	
48210-60531	Assy		1200	70		25.0	
	No.1		1200	70	7.0	5.7	W/Bush
	No.2		1200	70	6.0	4.6	
	No.3		1095	70	6.0	3.5	W/Clip
	No.4		935	70	6.0	3.0	
	No.5		795	70	6.0	2.5	
	No.6		660	70	6.0	2.1	
	No.7		540	70	6.0	1.7	W/Clip
	No.8		400	70	6.0	1.2	
	No.9		250	70	6.0	0.7	
48210-60591	Assy		1323	70		38.4	
	No.1		1323	70	7.0	6.2	W/Bush
	No.2		1323	70	7.0	5.9	
	No.3		1230	70	7.0	4.7	
	No.4		1135	70	7.0	4.4	W/Clip
	No.5		1025	70	7.0	3.9	
	No.6		920	70	7.0	3.5	
	HNo.1		800	70	15.0	6.1	W/Clip
	HNo.2		510	70	15.0	3.7	
48210-60592	Assy		1328	70		38.4	
	No.1		1328	70	7.0	6.2	W/Bush
	No.2		1328	70	7.0	5.9	
	No.3		1230	70	7.0	4.7	
	No.4		1135	70	7.0	4.4	W/Clip
	No.5		1025	70	7.0	3.9	
	No.6		920	70	7.0	3.5	
	HNo.1		810	70	15.0	6.2	W/Clip
	HNo.2		500	70	15.0	3.6	



LAND CRUISER

www.nakano-sp.co.jp

ASM Number	No. of Leaf	Leaf Number	Span	Width	Thickness	Weight	Add info
48210-60741	Assy		1328	70		48.0	
	No.1		1328	70	7.0	6.2	W/Bush
	No.2		1328	70	7.0	5.9	
	No.3		1245	70	8.0	5.5	
	No.4		1245	70	8.0	5.5	
	No.5		1090	70	8.0	4.8	
	No.6		1090	70	8.0	4.8	W/Clip
	HNo.1		925	70	12.0	5.8	
	HNo.2		725	70	12.0	4.5	W/Clip
	HNo.3		525	70	12.0	3.2	
	HNo.4		325	70	12.0	1.8	
48210-60760	Assy		1383	70		24.3	
	No.1		1383	70	8.0	7.4	W/Bush
	No.2		1383	70	8.0	7.1	
	No.3		1005	70	7.0	3.6	
	No.4		800	70	7.0	2.9	W/Clip
	No.5		595	70	7.0	2.1	
	No.6		350	70	7.0	1.2	
48210-90770	Assy		1383	70		24.3	
	No.1		1383	70	8.0	7.4	W/Bush
	No.2		1383	70	8.0	7.1	
	No.3		1005	70	7.0	3.6	
	No.4		800	70	7.0	2.9	W/Clip
	No.5		595	70	7.0	2.1	
	No.6		350	70	7.0	1.2	

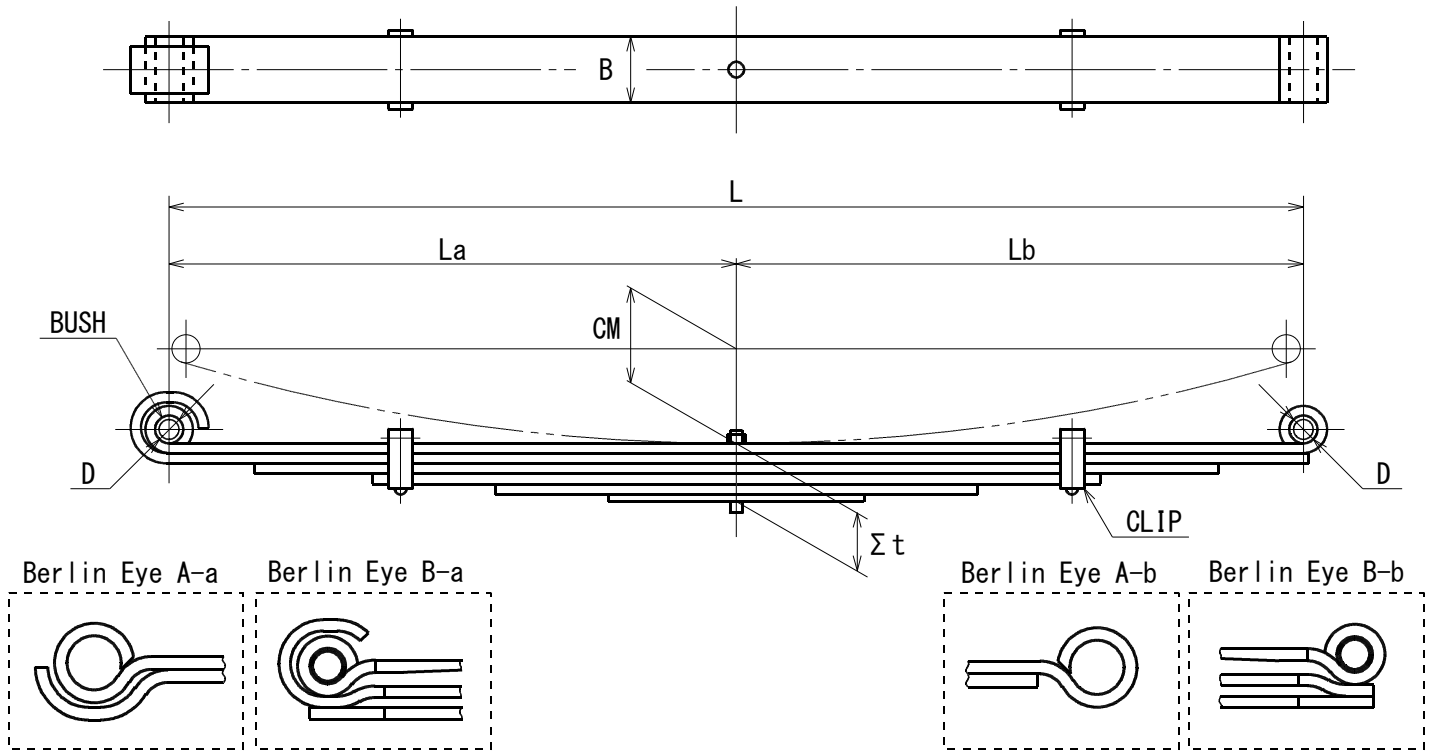
CUSTOM MADE LEAF SPRING INQUIRY FORM

- 1 If you wish to inquire about custom made leaf springs, please use this form to indicate the exact measurements you require.
We manufacture both conventional multi-springs and parabolic leaf springs, and front and rear springs.
- 2 To indicate required length and thickness, please fill in the boxes in this form in millimeters or centimeters (if you wish to use inches, please mention so in "Remarks" box at bottom of this form, i.e. "unit in inch").
- 3 In "Acc" column, please indicate whether bush is required and also position of clip (which leaf). (refer Example)
- 4 Please indicate type of "eye" required in "Remarks" box. (refer Example)
- 5 Please send this form to us and we will inform you by return whether we can manufacture as per your requirements. We may suggest a similar type of spring from our database, or if you wish we can design exactly as per your requirements, although this may take some time.
- 6 We can also offer you approx price of the leaf spring offered, although price may fluctuate depending on ordered quantity. Our price will be ex-factory in Tokyo, but if you prefer we can also add logistic cost to your destination port.
- 7 If any points need clarification, please do not hesitate to contact us using the Contact form in this website.

THANK YOU

Conventional Leaf Spring

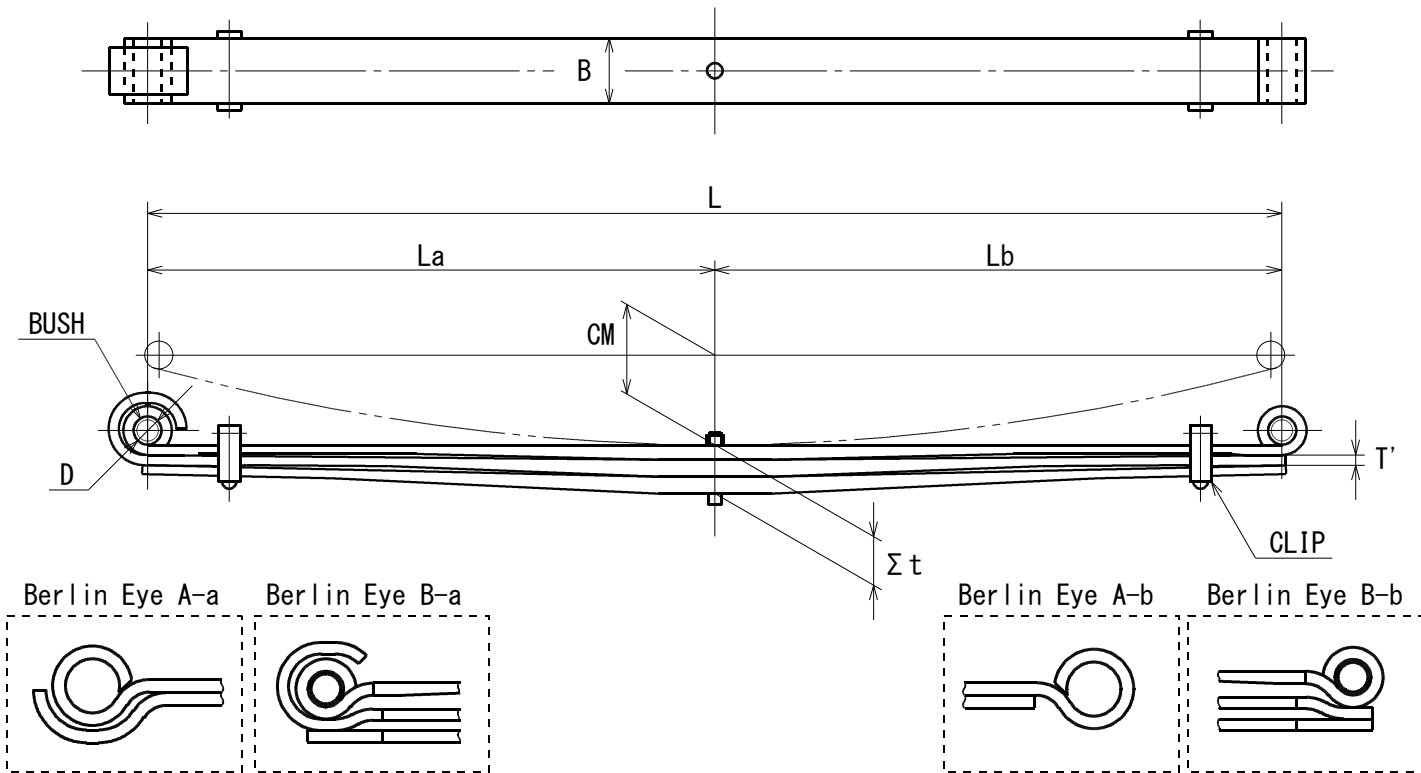
TYPE I



Number								
	L	L_a	L_b	T	T'	$B-(B')$	C	Acc
No.1					---			
No.2					---			
No.3					---			
No.4					---			
No.5					---			
No.6					---			
No.7					---			
No.8					---			
No.9					---			
BUSH(D)								
CM								
Σt								
Center Bolt								
Remarks								

Parabolic Leaf Spring

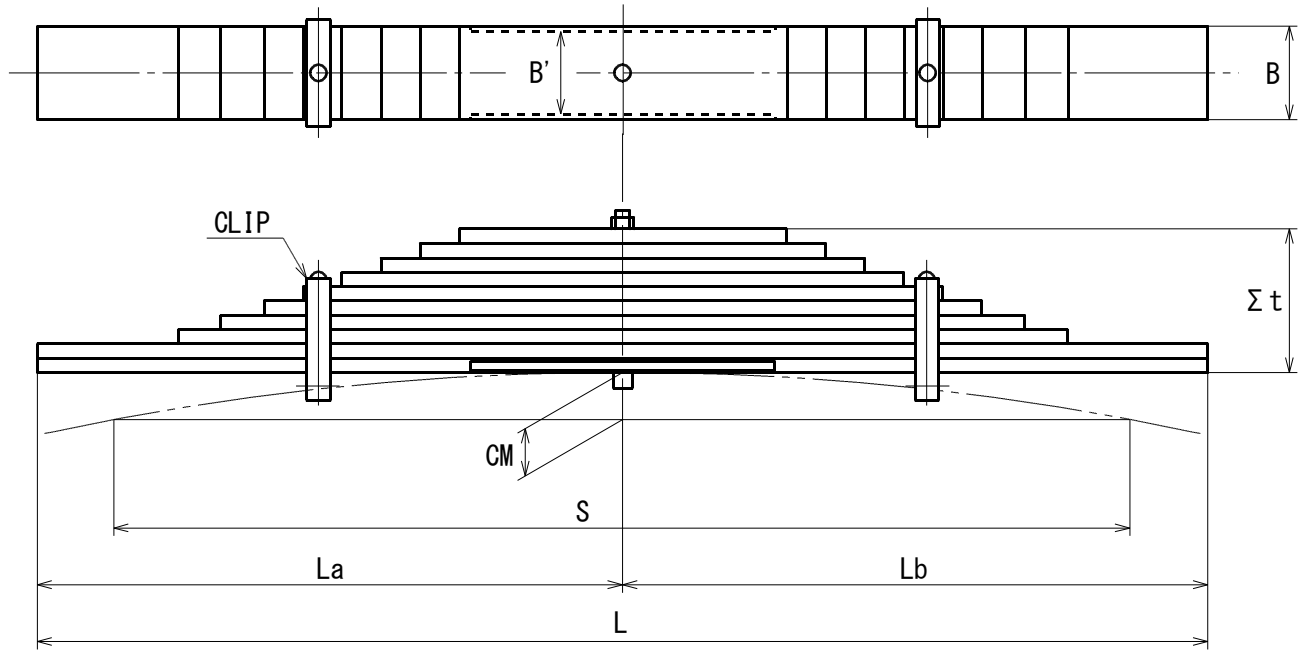
TYPE II



Number								
	L	La	Lb	T	T'	B-(B')	C	Acc
No.1								
No.2								
No.3								
No.4								
No.5								
BUSH(D)								
CM								
Σt								
Center Bolt								
Remarks								

Conventional Leaf Spring

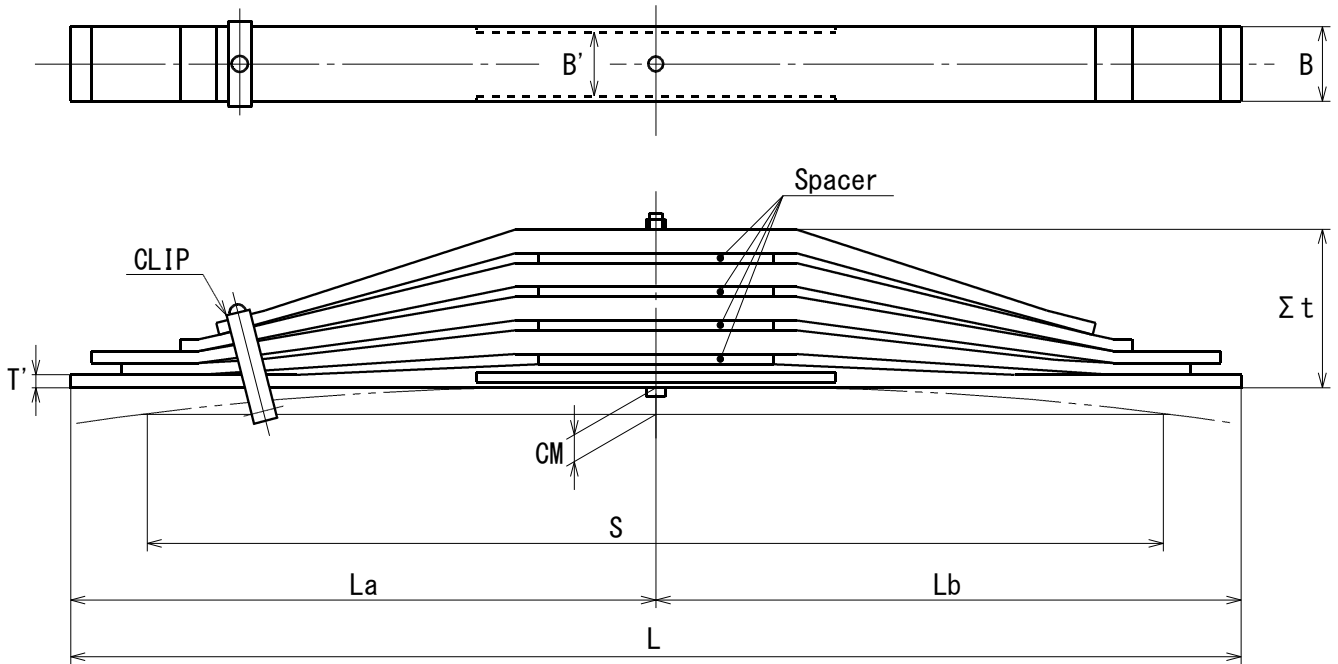
TYPE III



Number								
	L	La	Lb	T	T'	B-(B')	C	Acc
No.1					---			
No.2					---			
No.3					---			
No.4					---			
No.5					---			
No.6					---			
No.7					---			
No.8					---			
No.9					---			
No.10					---			
CM								
Σt								
Center Bolt								
Remarks								

Parabolic Leaf Spring

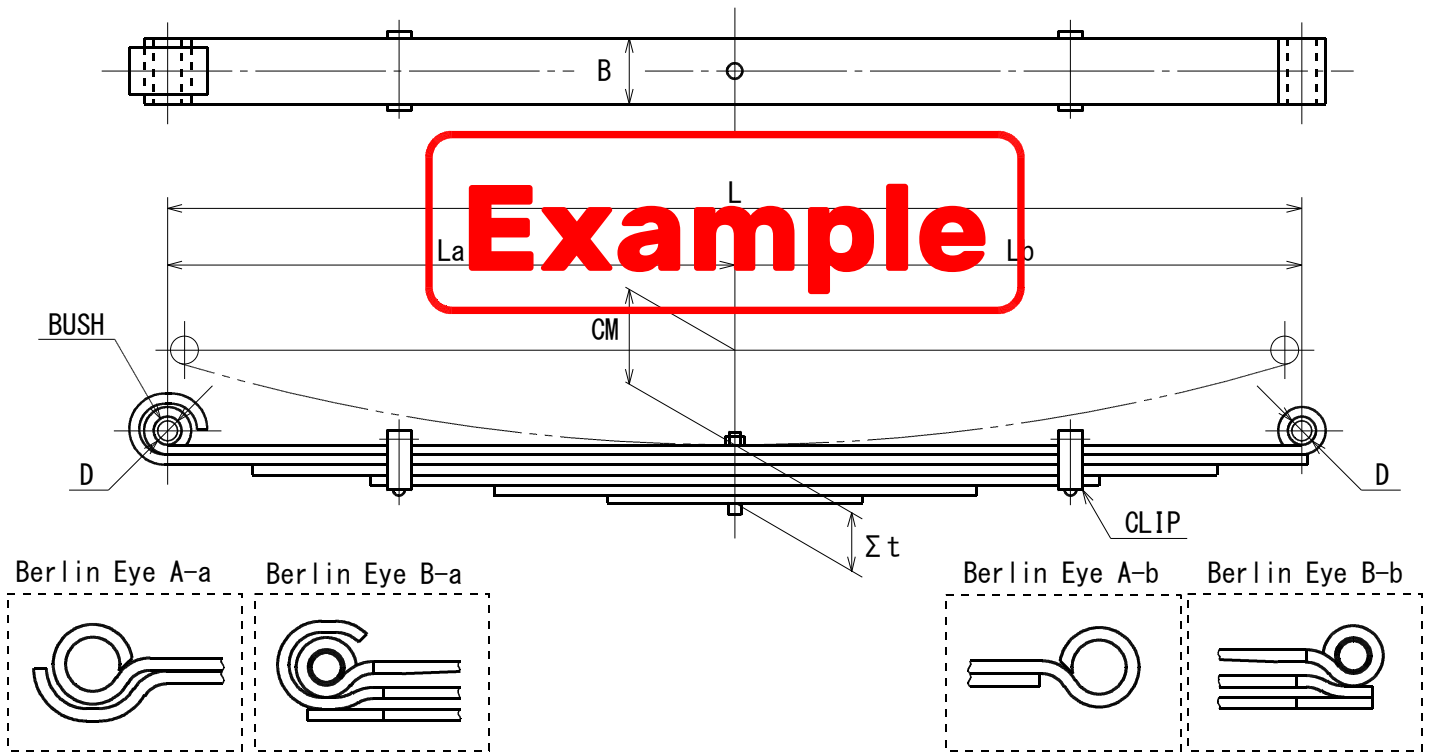
TYPE IV



Number								
	L	La	Lb	T	T'	B-(B')	C	Acc
No.1								
No.2								
No.3								
No.4								
No.5								
No.6								
CM								
Σt								
Center Bolt								
Spacer								
Remarks								

Conventional Leaf Spring

TYPE I



Number	FUSO FE517 Front Spring (4leaves)							
	L	La	Lb	T	T'	B-(B')	C	Acc
No.1	1200	600	600	10.0	---	70	51	W/Bush
No.2	1155	600	555	11.0	---	70	72	
No.3	790	395	395	11.0	---	70	36	W/Clip
No.4	440	220	220	11.0	---	70	10	
No.5					---			
No.6					---			
No.7					---			
No.8					---			
No.9					---			
BUSH(D)	$\phi 40 \times \phi 43.2$							
CM	70.0mm							
Σt	43.0mm							
Center Bolt	M10							
Remarks	Berlin Eye A-a / Berlin Eye A-b							



中野スプリング株式会社
NAKANO SPRING Co.,Ltd.

URL : <http://www.nakano-sp.co.jp>

Head office

**11-17, 4Chome,shibaura,
Minato-Ku,Tokyo 108-0023,Japan**

TEL +81-(0)3-3451-3920

Tokyo/Osaka/Sapporo/Sendai/Fukuoka